



DIVA150



-  Blanco
-  Azul
-  Rojo
-  Negro
-  Gris

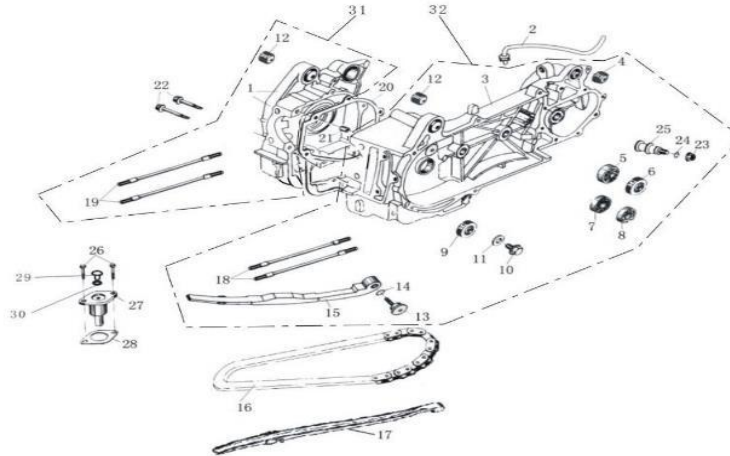
SPARE PARTS CATALOGUE

version: 23.07

E1

Crankcase Assembly

DIVA 150

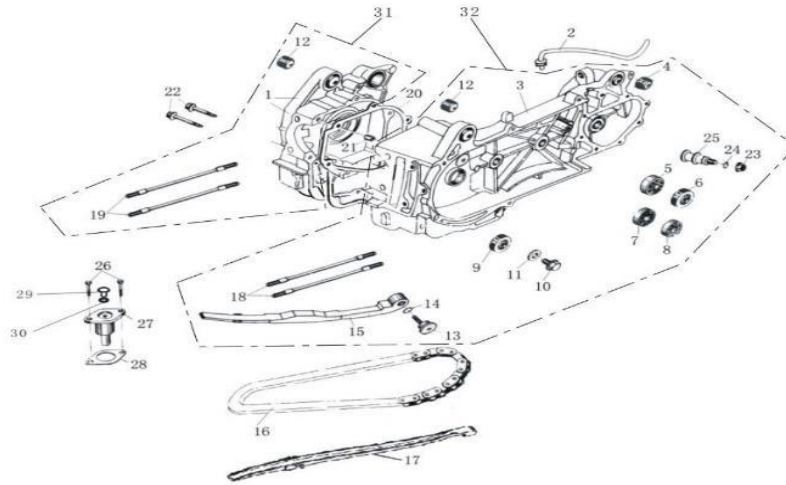


No.	Part Number	Description	Q'ty	Notes	Frame No.
1	2.20.05.03.02000	CRANKCASE, R.	1		
2	1.20.04.01.12000	TUBE, BREATH COMP.	1		
3	2.20.04.03.07000	CRANKCASE ASSY., L.	1		
4	1.20.04.01.08000	BUSH, REAR RUBBER	2		
5	1.00.01.6004-2RS	BEARING, 6004-2RS	1		
6	1.20.04.01.10000	OIL SEAL, OUTPUT SHAFT, 27X42X7	1		
7	1.00.01.6301	BEARING, 6301	1		
8	1.00.01.6002	BEARING, 6002	1		
9	1.20.04.01.13000	OIL SEAL, CRANKSHAFT, 19.8X30X5	1		
10	1.20.04.01.14000	BOLT, DRAIN, 12X1.5X14	1		
11	1.20.04.01.03000	WASHER, 12x24	1		
12	1.20.04.01.09000	BUSH, FRONT RUBBER	2		
13	1.20.13.01.01000	SCREW, CAM CHAIN TENSIONER	1		
14	1.20.13.01.02000	O-RING, 16X1.5	1		
15	1.20.13.01.05000	TENSIONER, CAM CHAIN	1		
16	1.20.13.01.04000	CHAIN, CAM	1		
17	1.20.13.01.06000	GUIDE COMP., CAM CHAIN	1		
18	1.20.04.01.04000	BOLT, STUB, M8X195.5	2		
19	1.20.05.01.01000	BOLT, STUB, M8X187.5	2		
20	1.20.04.01.05000	GASKET, R. CRANKCASE	1		

E1

Crankcase Assembly

DIVA 150

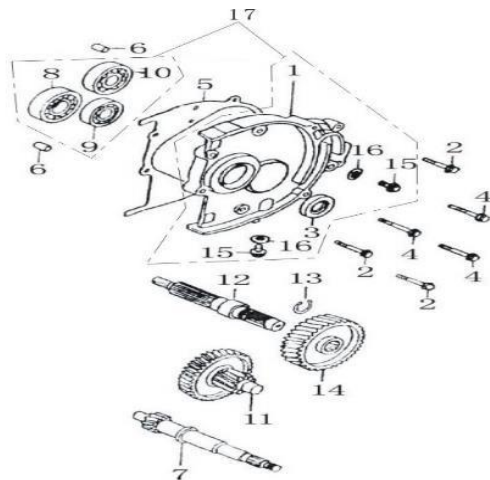


No.	Part Number	Description	Q'ty	Notes	Frame No.
21	1.20.04.01.01000	PIN, DOWEL, Ø8X14	2		
22	1.05.01.09.0650	BOLT, M6X50	2		
23	1.05.04.01.0800	NUT, SM8	1		
24	1.20.04.01.11000	O-RING, 7.5X1.5	1		
25	1.20.04.01.02000	PIN, BRAKE	1		
26	1.05.01.09.0622	BOLT, M6X22	2		
27	1.20.13.01.07000	TENSIONER COMP.	1		
28	1.20.13.01.03000	GASKET, TENSIONER	1		
29	1.20.13.01.08000	SCREW, FLAT HEAD	1		
30	1.20.13.01.09000	O-RING, 9.5X1.5	1		
31	2.20.05.03.99000	R. CRANKCASE ASSY.	1		
32	2.20.04.03.99000	L. CRANKCASE ASSY.	1		

E2

Gear Box Cover Assembly

DIVA 150

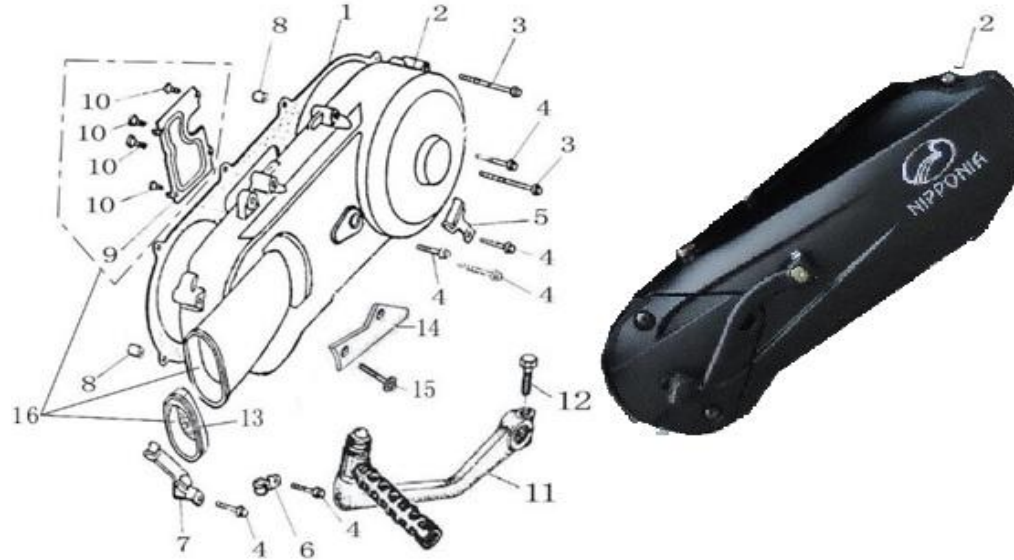


No.	Part Number	Description	Q'ty	Notes	Frame No.
1	2.20.20.01.01000	COVER, GEAR BOX	1		
2	1.05.01.09.0628	BOLT, M6X28	3		
3	1.20.20.01.08000	OIL SEAL, INPUT SHAFT, 20X32X6	1		
4	1.05.01.09.0635	BOLT, M6X35	3		
5	1.20.20.01.06000	GASKET, GEAR BOX COVER	1		
6	1.20.04.01.01000	PIN, DOWEL, Ø8x14	2		
7	1.20.20.01.02000	INPUT SHAFT, GEAR BOX	1		
8	1.00.01.6204	BEARING, 6204	1		
9	1.00.01.6202	BEARING, 6202	1		
10	1.00.01.6203	BEARING, 6203	1		
11	1.20.20.01.09000	COUNTER SHAFT COMP.	1		
12	1.20.20.01.05000	OUTPUT SHAFT, GEAR BOX (203.5)	1		
13	1.05.06.02.2000	CIRCLIP, SHAFT, 20	1		
14	1.20.20.01.03000	OUTPUT GEAR	1		
15	1.05.01.09.0812	BOLT, M8X12	2		
16	1.20.20.01.07000	WASHER	2		
17	2.20.20.01.99000	COVER ASSY., GEAR BOX	1		

E3

Left Crankcase Cover Assembly

DIVA 150

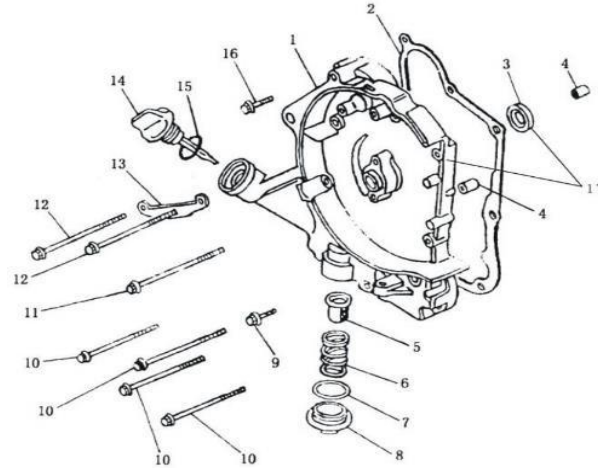


No.	Part Number	Description	Q'ty	Notes	Frame No.
1	1.20.06.03.07000	GASKET, L. CRANKCASE COVER	1		
2	2.20.06.03.01000	L.CRANKCASE COVER, BLACK	1		
3	1.05.01.09.0665	BOLT, M6X65	2		
4	1.05.01.09.0640	BOLT, M6X40	6		
5	1.20.06.01.06001	CLAMP, BRAKE CABLE	1		
6	1.20.06.01.04000	CLAMP, CARB. DRAIN TUBE	1		
7	1.20.06.01.05000	HOLDER, THROTTLE CABLE	1		
8	1.20.04.01.01000	PIN, DOWEL, Ø8x14	2		
9	1.20.06.01.03000	PLATE, AIR VENT	1		
10	1.05.02.03.4208	SCEW, TAPPING, ST4.2x8	4		
11	1.20.17.01.05000	ARM ASSY., KICK STARTER	1		
12	1.05.01.08.0622	BOLT, M6X22	1		
13	1.20.06.01.10001	PIPE, AIR INLET COMP.	1		
14	1.20.06.01.08000	BRACKET, HOLDING	1		
15	1.05.01.09.0612	BOLT, M6X12	1		
16	2.20.06.03.99000	COVER ASSY., L. CRANKCASE	1		

E4

Right Crankcase Cover Assembly

DIVA 150

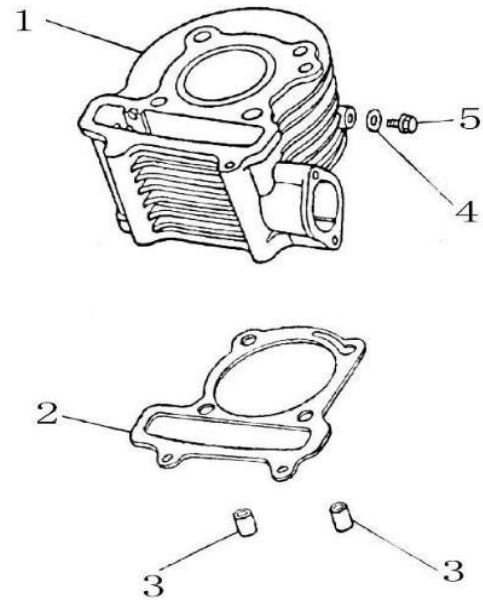


No.	Part Number	Description	Q'ty	Notes	Frame No.
1	2.20.07.01.01000	COVER, R. CRANKCASE	1		
2	1.20.07.01.06000	GASKET, R. CRANKCASE COVER	1		
3	1.20.04.01.13000	OIL SEAL, 19.8X30X5	1		
4	1.20.04.01.01000	PIN, Ø8x14	2		
5	1.20.07.01.09000	SCREEN, OIL FILTER	1		
6	1.20.07.01.03000	SPRING, OIL FILTER SCREEN	1		
7	1.20.07.01.04000	O-RING, 30.5X3	1		
8	1.20.07.01.02000	SCEW CAP, OIL FILTER SCREEN	1		
9	1.05.01.09.0632	BOLT, M6X32	1		
10	1.05.01.09.0695	BOLT, M6X95	4		
11	1.05.01.09.06100	BOLT, M6X100	1		
12	1.05.01.09.06110	BOLT, M6X110	2		
13	1.20.07.01.08000	CLAMP, TRIGGER CABLE	1		
14	1.20.07.01.05000	GAUGE, OIL LEVEL	1		
15	1.20.07.01.07000	O-RING, 18X3	1		
16	1.05.01.09.0635	BOLT, M6X35	1		
17	2.20.07.01.99000	COVER ASSY., R. CRANKCASE	1		

E5

Cylinder Assembly

DIVA 150

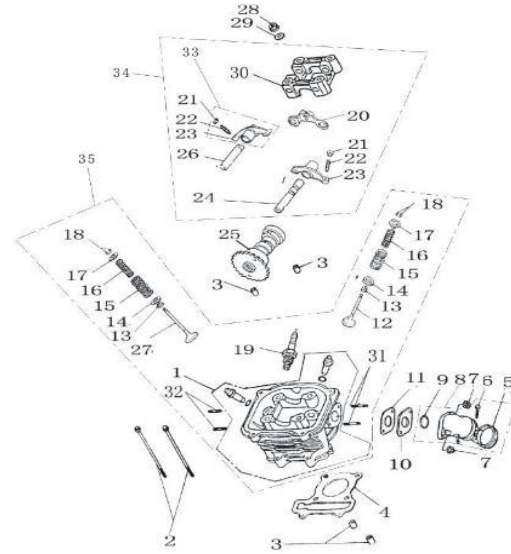


No.	Part Number	Description	Q'ty	Notes	Frame No.
1	1.20.02.03.03000	CYLINDER ASSY.	1		
2	1.20.02.03.01000	GASKET, CYLINDER	1		
3	1.20.01.01.01000	PIN, DOWEL, $\Phi 10 \times 16$	2		
4	1.20.02.01.02000	WASHER, 6x12	1		
5	1.05.01.09.0612	BOLT, M6X12	1		

E6

Cylinder Head Assembly

DIVA 150

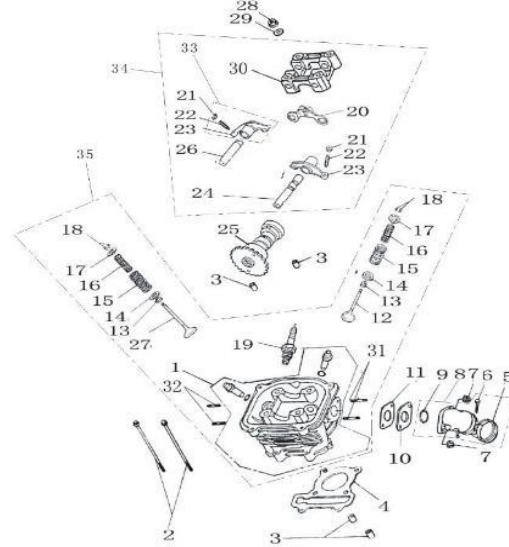


No.	Part Number	Description	Q'ty	Notes	Frame No.
1	2.20.01.03.13000	HEAD COMP., CYLINDER	1		
2	1.05.01.09.06100	BOLT, M6X100	2		
3	1.20.01.01.01000	PIN, DOWEL, Φ 10x16	4		
4	1.20.01.03.15000	GASKET, CYLINDER HEAD	1		
5	1.20.01.01.16010	CLAMP, AIR INLET PIPE	1		
6	1.05.02.01.0425	BOLT, M4x25	1		
7	1.05.04.02.0600	NUT, M6	2		
8	1.20.01.01.16000	AIR INLET PIPE COMP.	1		
9	1.00.14.265180	O-RING, 26.5x1.8	1		
10	1.20.01.01.12000	INSULATOR	1		
11	1.20.01.01.11000	GASKET, INSULATOR	1		
12	1.20.01.03.06000	VALVE, INTAKE	1		
13	1.20.01.01.14000	SEAL, VALVE	2		
14	1.20.01.01.10000	WASHER	2		
15	1.20.01.01.09000	SPRING, VALVE OUTER	2		
16	1.20.01.01.08000	SPRING, VALVE INNER	2		
17	1.20.01.01.05000	RETAINER, VALVE SPRING	2		
18	1.20.01.01.07000	COTTER, VALVE	4		
19	1.20.01.01.17000	PLUG, SPARK	1		

E6

Cylinder Head Assembly

DIVA 150

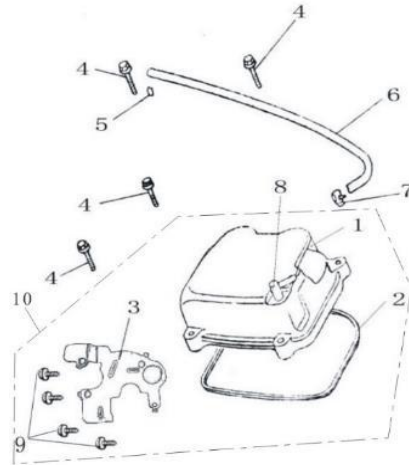


No.	Part Number	Description	Q'ty	Notes	Frame No.
20	1.20.12.01.05000	STOPPER COMP.	1		
21	1.20.12.01.04020	NUT, ADJUSTING	2		
22	1.20.12.01.04030	BOLT, ADJUSTING	2		
23	1.20.12.01.04010	ROCKER ARM	2		
24	1.20.12.01.03000	SHAFT, INTAKE ROCKER ARM	1		
25	1.20.11.01.01000	CAMSHAFT ASSY.	1		
26	1.20.12.01.02000	SHAFT, EXHAUST ROCKER ARM	1		
27	1.20.01.03.04000	VALVE, EXHAUST	1		
28	1.05.04.02.0800	NUT, M8	4		
29	1.20.04.01.06000	WASHER, 8	4		
30	2.20.12.01.01000	HOLDER, CAMSHAFT	1		
31	1.20.01.01.03000	BOLT, STUB, M6X63	2		
32	1.20.01.01.02000	BOLT, STUB, M6X32	2		
33	1.20.12.01.04000	ROCKER ARM, VALVE	2		
34	2.20.12.01.99000	SEAT ASSY., CAMSHAFT	1		
35	2.20.01.03.99000	CYLINDER HEAD ASSY.	1		

E7

Cylinder Head Cover Assembly

DIVA 150

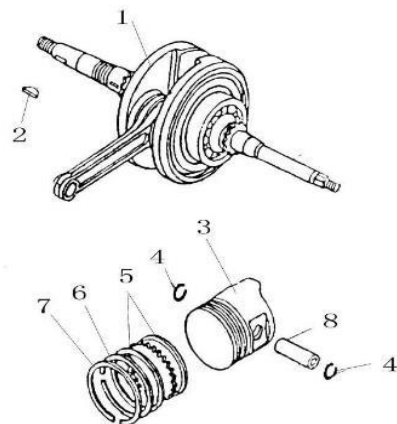


No.	Part Number	Description	Q'ty	Notes	Frame No.
1	2.20.03.01.01000	COVER, CYLINDER HEAD	1		
2	1.20.03.01.03000	GASKET, CYLINDER HEAD COVER	1		
3	1.20.03.01.02000	PLATE, CYLINDER HEAD COVER	1		
4	1.05.01.09.0622	BOLT, M6X22	4		
5	1.20.03.01.05010	CLIP, PIPE	1		
6	1.20.03.01.05000	PIPE COMP., BREATH	1		
7	1.20.03.01.05020	CLIP, PIPE	1		
8	1.20.03.01.04000	JUNCTION COMP., BREATH PIPE	1		
9	1.05.02.03.4208	SCREW, TAPPING, ST4.2X8	4		
10	2.20.03.01.99000	COVER ASSY., CYLINDER HEAD	1		

E8

Crankshaft, Connecting Rod and Piston

DIVA 150

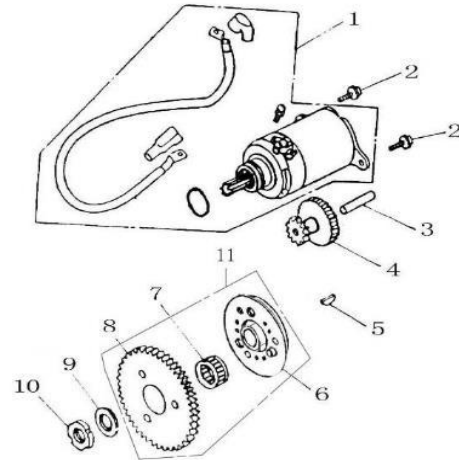


No.	Part Number	Description	Q'ty	Notes	Frame No.
1	1.20.09.01.01000	CRANKSHAFT COMP.	1		
2	1.20.09.01.01010	KEY, WOODRUFF	1		
3	1.20.10.03.01000	PISTON	1		
4	1.20.10.01.04000	CIRCLIP, PISTON PIN	2		
5,6,7	1.20.10.03.02000	RING SET, PISTON	1		
8	1.20.10.03.03000	PISTON PIN	1		

E9

Electrical Starting Parts

DIVA 150

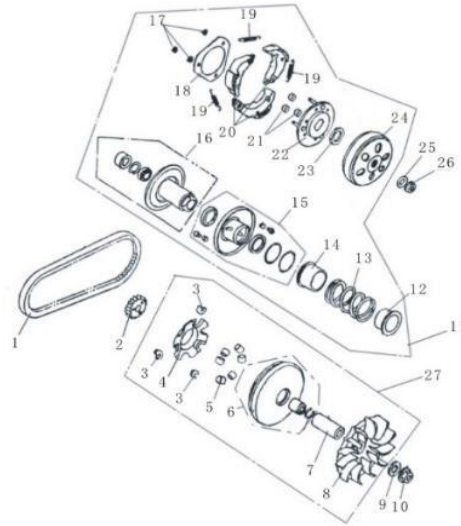


No.	Part Number	Description	Q'ty	Notes	Frame No.
1	1.20.18.01.01000	MOTOR ASSY., STARTER	1		
2	1.05.01.09.0616	BOLT, M6X16	2		
3	1.20.18.01.02000	GEAR SHAFT	1		
4	1.20.18.01.03000	GEAR, STARTER REDUCTION	1		
5	1.20.09.01.01010	KEY, WOODRUFF	1		
6	1.20.19.03.01020-NF	CLUTCH COMP.	1		
7	1.20.19.01.01040-NF	NEEDLE BEARING	1		
8	1.20.19.03.01030-NF	GEAR COMP., STARTING CLUTCH	1		
9	1.20.19.01.03000	WASHER	1		
10	1.20.19.01.02000	LOCK NUT, SM22X1 L.	1		
11	1.20.19.03.01000-NF	CLUTCH ASSY., STARTING	1		

E10

Driving and Driven Pulley Assembly

DIVA 150

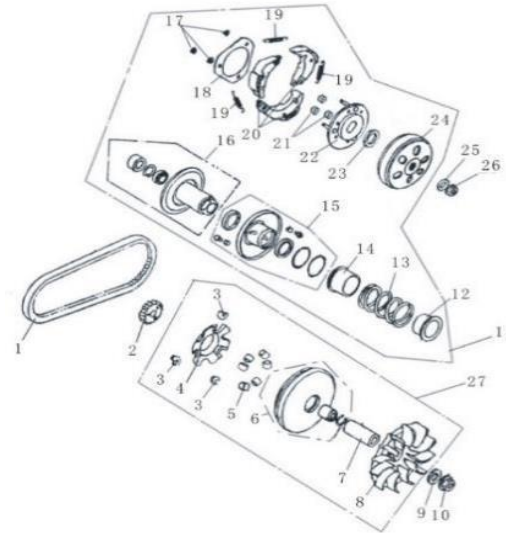


No.	Part Number	Description	Q'ty	Notes	Frame No.
1	1.20.22.03.02000	BELT, DRIVE	1		
2	1.20.17.01.04000	STARTING GEAR	1		
3	1.20.21.01.01060	PIECE, SLIDE	3		
4	1.20.21.01.01050	PLATE, RAMP	1		
5	1.20.21.01.01040	WEIGHT, ROLLER	6		
6	1.20.21.01.01030	FACE, MOVABLE DRIVE	1		
7	1.20.21.01.01020	BOSS, DRIVE FACE	1		
8	1.20.21.01.01010	FACE, DRIVE	1		
9	1.05.05.04.1200	WASHER, 12.3x29x2.5	1		
10	1.05.04.10.1213	NUT, M12x1.25 H=10	1		
11	1.20.22.01.01000	PULLEY ASSY., DRIVEN	1		
12	1.20.22.01.01070	COLLAR, SPRING	1		
13	1.20.22.01.01040	SPRING, DRIVEN FACE	1		
14	1.20.22.01.01010	COLLAR, SEAL	1		
15	1.20.22.01.01090	FACE SET, MOVING DRIVEN	1		
16	1.20.22.01.01120	FACE SET, DRIVEN	1		
17	1.05.06.04.0700	CIRCLIP, 7	3		
18	1.20.22.01.01080	PLATE, CLUTCH	1		
19	1.20.22.01.01060	SPRING, CLUTCH	3		

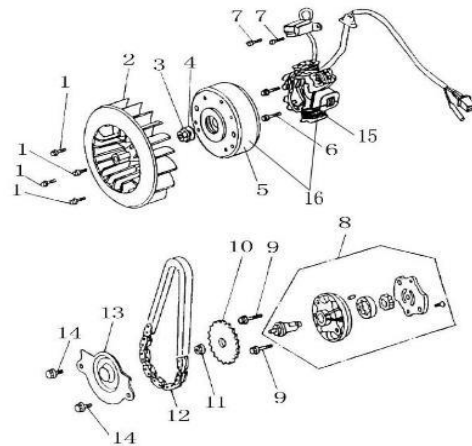
E10

Driving and Driven Pulley Assembly

DIVA 150



No.	Part Number	Description	Q'ty	Notes	Frame No.
20	1.20.22.01.01140	SHOE, CLUTCH	3		
21	1.20.22.01.01130	DAMPER	3		
22	1.20.22.01.01160	DRIVE PLATE COMP.	1		
23	1.20.22.01.01050	NUT	1		
24	1.20.22.01.01150	HOUSING, CLUTCH	1		
25	1.05.05.04.1200	WASHER, 12.3x29x2.5	1		
26	1.05.04.10.1212	NUT, M12x1.25 H=8	1		
27	1.20.21.01.01000	PULLEY ASSY., DRIVE	1		

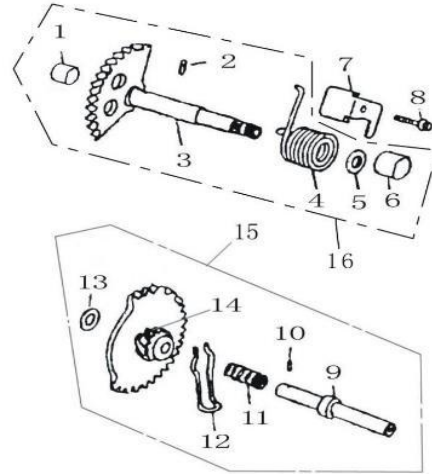


No.	Part Number	Description	Q'ty	Notes	Frame No.
1	1.05.01.09.0618	BOLT, FLANGE, M6X18	4		
2	1.20.24.01.06000	FAN COMP., COOLING	1		
3	1.05.04.10.1213	NUT, M12x1.25 H=10	1		
4	1.05.05.04.1201	WASHER, PLAIN, 12-14 HV	1		
5	1.20.16.01.01021	FLYWHEEL COMP. (DC 8 POLES)	1		
6	1.05.01.09.0620	BOLT, FLANGE, M6X20	2		
7	1.05.01.08.0512	BOLT, M5X12	2		
8	1.20.14.01.03000	OIL PUMP ASSY.	1		
9	1.05.01.09.0625	BOLT, M6X25	2		
10	1.20.14.01.01000	SPROCKET, OIL PUMP DRIVEN	1		
11	1.05.04.02.0600	NUT, M6	1		
12	1.20.14.01.04000	CHAIN, OIL PUMP	1		
13	1.20.14.01.02000	SEPARATOR, OIL	1		
14	1.05.01.09.0612	BOLT, M6X12	2		
15	1.20.16.01.01011	STATOR COMP. (DC 8 POLES)	1		
16	1.20.16.01.01001	GENERATOR ASSY. (DC 8 POLES)	1		

E12

Kick Starting Parts

DIVA 150

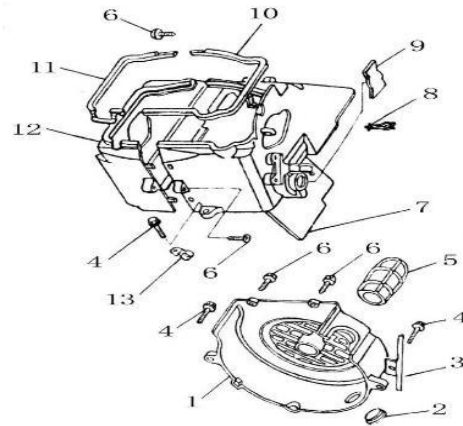


No.	Part Number	Description	Q'ty	Notes	Frame No.
1	1.20.17.01.01010	BUSH II	1		
2	N/A	PIN	1		
3	1.20.17.01.01050	SPINDLE COMP., KICK STARTER	1		
4	1.20.17.01.01020	SPRING, KICK STARTER SPINDLE	1		
5	1.20.17.01.01030	WASHER	1		
6	1.20.17.01.01040	BUSH I	1		
7	1.20.17.01.02000	PLATE, SPRING	1		
8	1.05.01.09.0614	BOLT, M6X14	1		
9	1.20.17.01.03030	SHAFT COMP., STARTER IDLE	1		
10	1.05.08.02.0308	PIN, A3x8	1		
11	1.20.17.01.03020	SPRING, COMP.RESSION	1		
12	1.20.17.01.03050	CLIP	1		
13	1.20.17.01.03040	WASHER, ADJUST	1		
14	1.20.17.01.03010	BEVEL WHEEL	1		
15	1.20.17.01.03000	WHEEL ASSY., STARTER IDLE	1		
16	1.20.17.01.01000	SPINDLE ASSY., KICK STARTER	1		

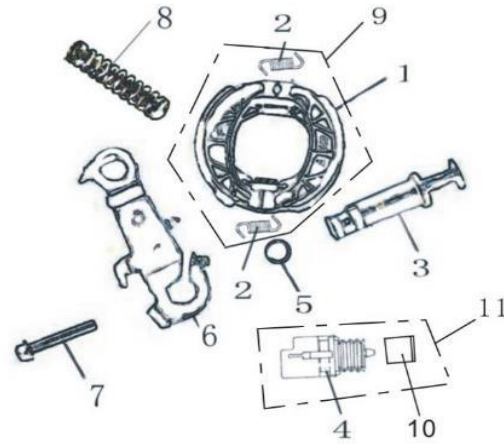
E13

Shroud Parts

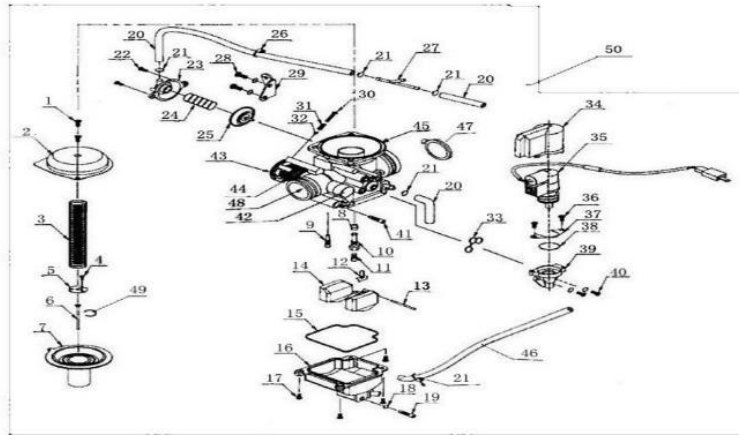
DIVA 150



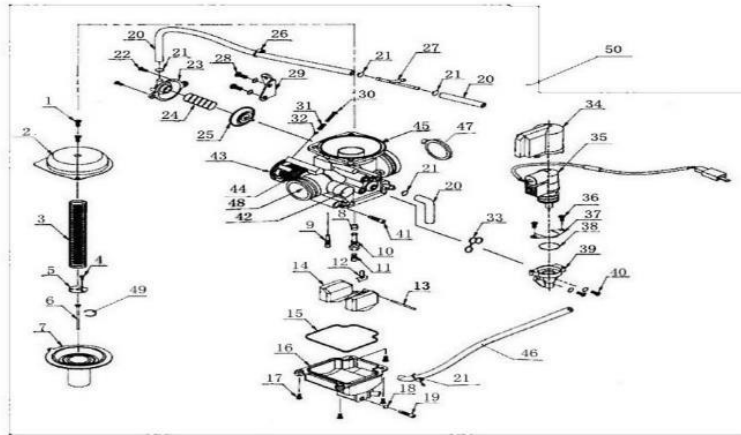
No.	Part Number	Description	Q'ty	Notes	Frame No.
1	1.20.24.01.03000	COVER COMP., FAN	1		
2	1.20.24.01.03020	CAP, HOLE	1		
3	1.20.24.01.04000	CLAMP, CABLE	1		
4	1.05.01.09.0625	BOLT, M6X25	3		
5	1.20.24.01.03010	GUIDE TUBE , COOLING	1		
6	1.05.02.15.4816	SCREW, TAPPING, ST4.8X16-F-H	4		
7	1.20.24.01.01020	SHROUD COMP., UPPER	1		
8	1.20.24.01.01040	CLIP, HIGH TENSION CABLE	1		
9	1.20.24.01.01030	COVER, RUBBER	1		
10	1.20.24.01.01010	SEAL, UPPER SHROUD	1		
11	1.20.24.01.02020	SEAL, LOWER SHROUD	1		
12	1.20.24.01.02000	SHROUD COMP., LOWER	1		
13	1.20.24.01.05000	CLAMP, CARB. DRAIN TUBE	1		



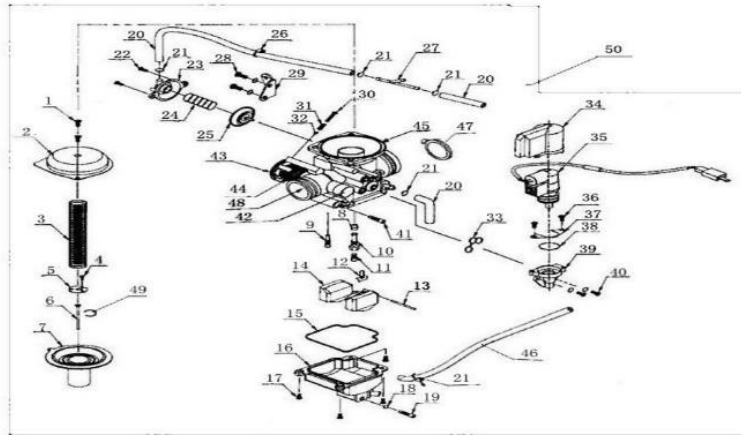
No.	Part Number	Description	Q'ty	Notes	Frame No.
1	1.20.30.03.01020	SHOES COMP., REAR BRAKE	2		
2	1.20.30.03.01010	SPRING, SHOE	2		
3	1.20.30.01.04000	CAMSHAFT, RR. BRAKE	1		
4	1.20.30.01.03020	COVER, SWING ARM, RR. BRAKE	1		
5	1.20.30.01.05000	O-RING, 11.3x1.3	1		
6	1.20.30.01.02000	SWING ARM, RR. BRAKE	1		
7	1.05.01.09.0632	BOLT, M6x32	1		
8	1.20.30.01.06000	SPRING, BRAKING	1		
9	1.20.30.03.01000	REAR BRAKE ASSY.	1		
10	1.20.30.01.03010	PLATE, SWING ARM COVER	1		
11	1.20.30.01.03000	COVER ASSY., SWING ARM	1		



No.	Part Number	Description	Q'ty	Notes	Frame No.
1	1.20.23.01.01010	SCREW, PISTON VALVE	2		
2	1.20.23.01.01020	PLATE, PISTON VALVE	1		
3	1.20.23.01.01030	SPRING, PISTON VALVE	1		
4	1.20.23.01.01040	SCREW, MAIN NEEDLE	1		
5	1.20.23.01.01050	PLATE, MAIN NEEDLE	1		
6	1.20.23.03.01060	MAIN NEEDLE	1		
7	1.20.23.01.01070	PISTON VALVE	1		
8	1.20.23.03.01080	NOZZLE, MAIN	1		
9	1.20.23.03.01090	JET, SLOW	1		
10	1.20.23.03.01100	PIPE, MAIN JET	1		
11	1.20.23.03.01110	JET, MAIN	1		
12	1.20.23.01.01120	NEEDLE VALVE	1		
13	1.20.23.01.01130	PIN, FLOAT	1		
14	1.20.23.01.01140	FLOAT	1		
15	1.20.23.01.01150	WASHER, FUEL CUP	1		
16	1.20.23.01.01160	FUEL CUP	1		
17	1.20.23.01.01170	SCREW, FUEL CUP	4		
18	1.20.23.01.01180	O-RING	1		
19	1.20.23.01.01190	SCREW, DRAIN	1		
20	1.20.23.01.01200	FUEL PIPE	3		
21	1.20.23.01.01210	CLIP, FUEL PIPE	5		



No.	Part Number	Description	Q'ty	Notes	Frame No.
22	1.20.23.01.01220	SCREW, AIR CUTOFF VALVE	2		
23	1.20.23.01.01230	COVER, AIR CUTOFF VALVE	1		
24	1.20.23.01.01240	SPRING, AIR CUTOFF VALVE	1		
25	1.20.23.01.01250	RUBBER DIAPHRAGM, AIR CUTOFF VALVE	1		
26	1.20.23.01.01260	PIPE HOLDER	1		
27	1.20.23.01.01270	THREE-WAY PIPE	1		
28	1.20.23.01.01280	SCREW, STEEL PIECE	2		
29	1.20.23.01.01290	PIECE, COPPER	1		
30	1.20.23.01.01300	SCREW, SLOW SPEED	1		
31	1.20.23.01.01310	SPRING, SLOW SPEED	1		
32	1.20.23.01.01320	RIVET, THROTTLE LEVER SEAT	1		
33	1.20.23.01.01330	RUBBER RING, AUTO CHOKE UNIT SEAT	3		
34	1.20.23.01.01340	SHELL, AUTO CHOKE UNIT	1		
35	1.20.23.01.01350	ELECTRIC AUTO CHOKE UNIT	1		
36	1.20.23.01.01360	SCREW, MOUNTING PLATE	2		
37	1.20.23.01.01370	MOUNTING PLATE	1		
38	1.20.23.01.01380	RUBBER RING	1		
39	1.20.23.01.01390	SEAT, AUTO CHOKE UNIT	1		
40	1.20.23.01.01400	SCREW, AUTO CHOKE UNIT SEAT	2		
41	1.20.23.01.01410	SCREW, SLOW-SPEED ADJUSTING	1		
42	1.20.23.01.01420	PLUG, THROTTLE LEVER	1		

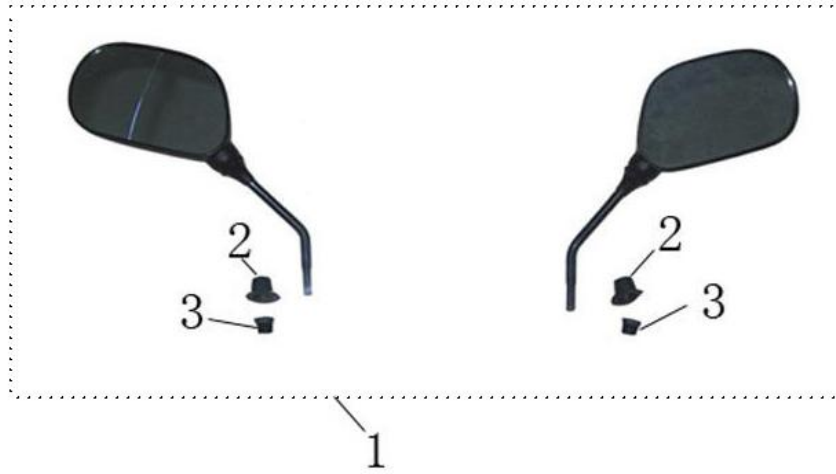


No.	Part Number	Description	Q'ty	Notes	Frame No.
43	1.20.23.01.01430	THROTTLE LEVER ASSY.	1		
44	1.20.23.01.01440	SPRING, THROTTLE LEVER	1		
45	1.20.23.03.01450	CARBURETOR ASSY.	1		
46	1.20.23.01.01460	TUBE COMP., DRAIN	1		
47	1.20.23.01.01470	COVER, DUSTPROOF	1		
48	1.20.23.01.01480	THROTTLE COMP.	1		
49	1.20.23.01.01490	CLIP	1		
50	1.20.23.03.01000	CARBURETOR ASSY.	1		

F-1

MIRROR

DIVA150

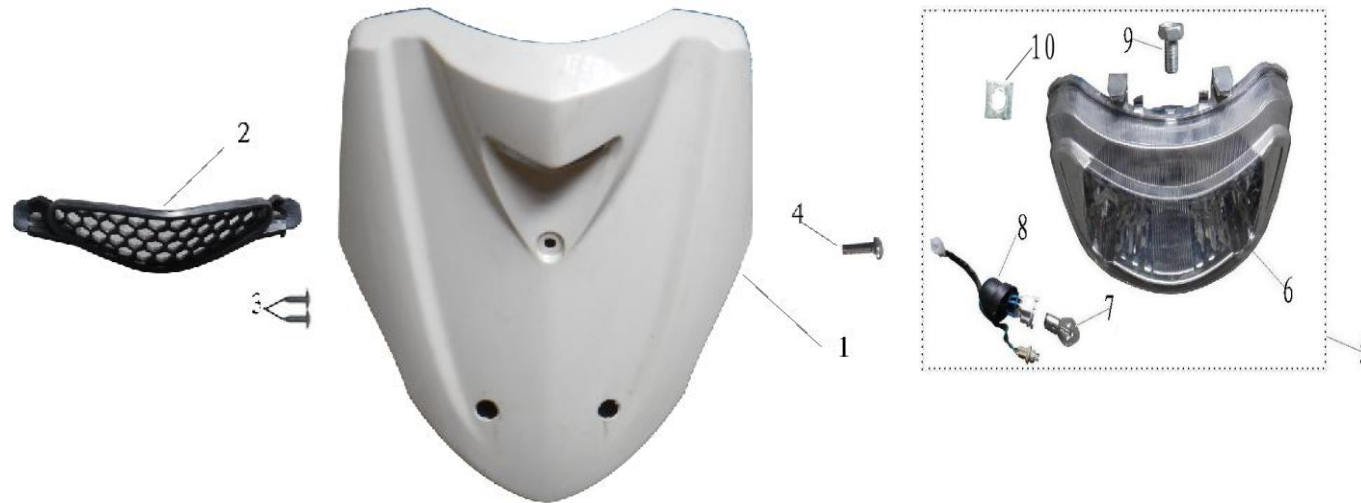


No	Part No	Part description	Q'ty	Notes	Frame No
1	88101-HFA2-9000-A12-0000	REARVIEW MIRROR	1		
2	4.10.48.A0030700-1	GUM COVER,REARVIEW MIRROR	2		
3	4.10.48.A0030700-2	MOUNTING BOLT,REARVIEW MIRROR	2		

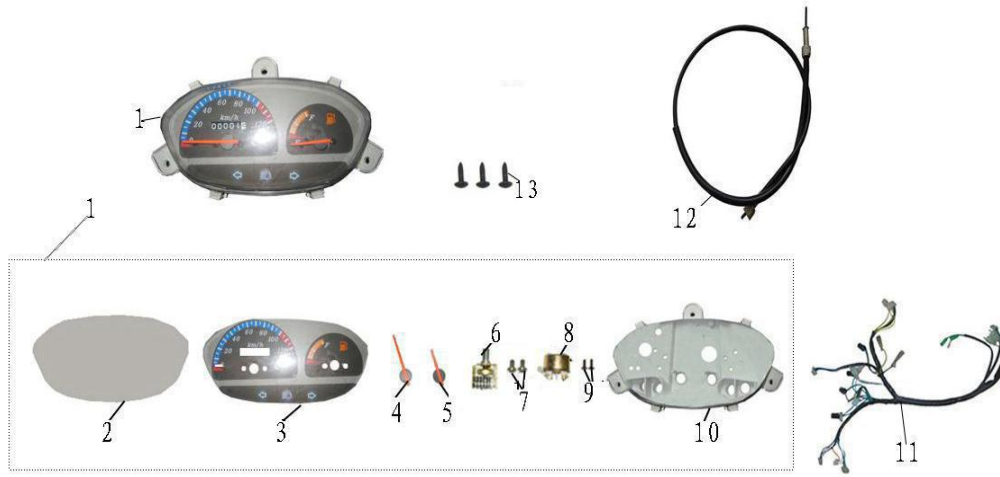
F-2

HEADLIGHT COVER ASSY

DIVA150



No	Part No	Part description	Q'ty	Notes	Frame No
1	64301-HFA2-9000-A22-0000	COVER FR	1		
2	1.10.35.B083.30151	BEFORE THE BIG BOARD STYLE	1		
3	33100-HFA2-9000-A22-0000	SCREW TAPPING	2		
4	1.05.02.01.0616	SMALL CROSS TRAY HEAD BOLT	1		
5	90601-48A17-C16-005	LIGHT ASSY HEAD	1		
6	94001-42012-C16-025	HEADLAMPS LAMP SHADE	1		
7	4.10.35.B083.30100-02	SIDELIGHTS BULB	1		
8	4.10.35.B083.30100-03	CABLE, LIGHT ASSY HEAD	1		
9	4.10.35.B083.30100-04	SMALL CROSS TRAY HEAD BOLT	1		
10	4.10.35.B083.30100-05	CARDS WITH SCREWS	1		



No	Part No	Part description	Q'ty	Notes	Frame No
1	1.10.06.L0090001	SPEEDOMETER ASSY	1		
2	4.10.06.L0090001-01	LENS, SPEED METER	1		
3	4.10.06.L0090001-02	SPEEDOMETER PANEL	1		
4	4.10.06.L0090001-05	FUEL GAUGE POINTER	1		
5	4.10.06.L0090001-04	THE SPEEDOMETER POINTER	1		
6	4.10.06.L0090001-12	THE ODOMETER MOVEMENT	1		
7	4.10.06.L0090001-09	MACHINE INSTALLATION BOLT	2		
8	4.10.06.L0090001-11	THE FUEL GAUGE MOVEMENT	1		
9	4.10.06.L0090001-06	MACHINE INSTALLATION BOLT	2		
10	4.10.06.L0090001-08		1		
11	2.10.11.00000807-2	SPEEDOMETER CABLE	1		
12	1.10.03.L0090032	SPEEDOMETER FLEXIBLE AXLE	1		
13	1.05.02.03.4216	SCREW TAPPING	3		

F-4

STEERING STEM

DIVA150



No	Part No	Part description	Q'ty	Notes	Frame No
15	1.10.35.B083.30196	REAR PART, HEAD COVER	1		
16	1.10.05.C0080005	LEFT INTEGRATED SWITCH	1		
17	1.10.05.C0080006	COMPREHENSIVE RIGHT SWITCH	1		
18	1.05.11.1000	CLIP,TAPPING SCREW	2		
19	1.05.02.03.4212	SCREW TAPPING	4		
20	1.05.02.03.4816	SCREW TAPPING	2		
21	1.05.02.01.0612	SMALL CROSS TRAY HEAD BOLT	1		
22	1.10.35.B083.30161	FRONT PART,HEAD COVER	1		

F-5

SUB HARNESS

DIVA150



No	Part No	Part description	Q'ty	Notes	Frame No
1	64401-HFA2-9000-A22-0000	FRONT COVER	1		
2	61202-HFA2-9000-A22-0000	FRAME FENDER	1		
3	92301-06012-J02-085	HEXAGON FLANGE BOLTS	2		
4	95801-00006-J02-005	SCREW TAPPING	2		
5	90601-48A17-C16-005-2	CLIP, TAPPING SCREW	4		
6	94001-42012-C16-025-2	SCREW TAPPING	4		

F-6

FOOTPLATE ASSY

DIVA150



No	Part No	Part description	Q'ty	Notes	Frame No
1	1.10.35.L009.01202	FRONT BOX	1		
2	64515-HFA2-9000-A22-0000	COVER, FRONT BOX	1		
3	64514-HFA2-9000-A22-0000	SCREW TAPPING	7		
4	64503-HFA2-9000-A22-0000	HANGER, HELMET	1		
5	95801-00006-J02-005	HEXAGON FLANGE BOLTS	1		
6	92301-06030-J02-08M	WASHER	1		
7	64502-HFA2-9000-A22-0000	COVER, VIN NO.	1		
8	94001-42012-C16-025-3	FOOT PLATE	1		
9	1.10.35.L009.01199	BATTERY COVER	1		
10	50328-0000-9000-C36-0000	HEXAGON FLANGE BOLTS	4		
11	50325-HFA2-9000-A22-0000	WASHER	4		
12	50326-HFA2-9000-A22-0000	CLIP, SCREW TAPPING	8		
13	92301-06025-J02-085	SCREW TAPPING	10		
14	94001-48016-C16-02M	SCREW TAPPING	8		
15	94001-42012-C16-025-4	L. CENTRAL SHIELD	1		
16	90601-48A17-C16-005-3	R. CENTRAL SHIELD	1		
17	64702-HFA2-9000-A22-0000	FRAME FENDER	1		
18	1.10.35.J003.11190	SIDE OF THE REFLECTOR	2		
19	1.05.04.02.0600	HEXAGON FLANGE NUT	2		
20	1.10.35.L009.01163	TARPAULIN(FRONT L&R)	2		
21	1.10.35.L009.01163-1	TARPAULIN(REAR L&R)	2		
22	1.10.35.L009.01B57	CAP OF BLEED HOLE, CARBURETOR	1		

F-7

STEM COMP STRG,FR SHOCK ABSORBER

DIVA150



No	Part No	Part description	Q'ty	Notes	Frame No
1	5030A-TL0C-9000-F09-0000	RACE SET STEERING	1		
2	4.10.21.C0560532-01	NUT STRG STEM LOCK	1		
3	4.10.21.C0560532-02	UPPER PLATE , STEERING STEAM UPPER BEARING	1		
4	4.10.21.C0560532-03	STEEL BALL ASSY, STEERING STEAM	1		
5	4.10.21.C0560532-04	DOWN PLATE , STEERING STEAM UPPER BEARING	1		
6	4.10.21.C0560532-05	UPPER PLATE , STEERING STEAM DOWN BEARING	1		
7	4.10.21.C0560532-06	DOWN BEARING ASSY, STEERING STEAM	1		
8	4.10.21.C0560532-07	DOWN PLATE , STEERING STEAM DOWN BEARING	1		
9	53300-HFA2-9000-W10-0000	STEERING STEAM COMP	1		
10	92301-10045-J02-185	FR R. SHOCK ABSORBER ASSY	1		
11	92301-06016-C16-082	FR L. SHOCK ABSORBER ASSY	1		
12	45441-0000-9000-B05-0000	WASHER	4		
13	45441-T60J-9000-000-0000	SPG WASHER	4		
14	50240-HFA2-9000-W10-0000	HEXAGON FLANGE BOLTS	4		
15	51400-HFA2-9000-D03-0000	FIXING CLIP, FR HYDRAULIC TUBE	1		
16	51500-HFA2-9000-D03-0000	HEXAGON FLANGE BOLTS	2		
17	50250-HFA2-9000-W10-0000	FRONT FENDER	1		
18	45128-B08C-9000-E17-0000	RING, METER WIRE	1		
19	61101-HFA2-9000-A22-0000	WASHER	3		
20	93302-06012-J02-04M	HEXAGON FLANGE BOLTS	3		

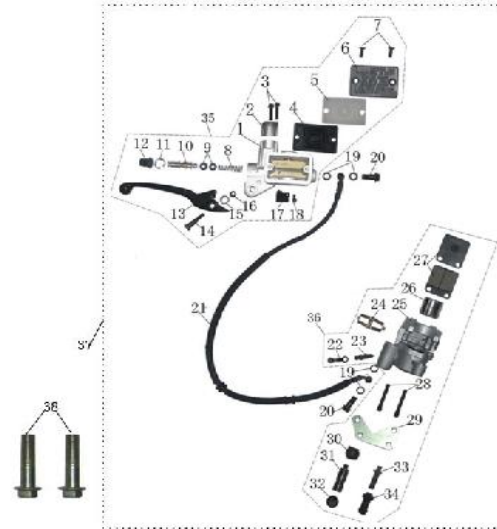
F-8

FRONT WHEEL

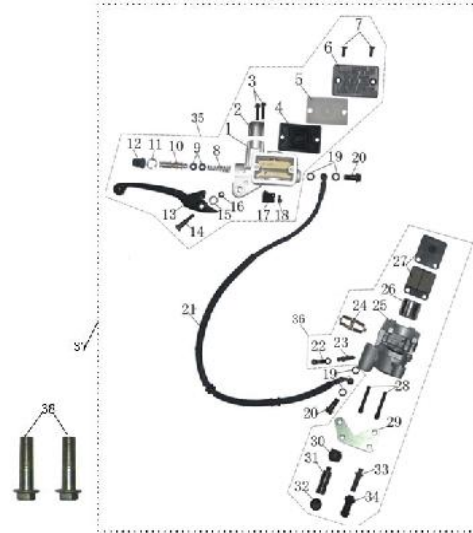
DIVA150



No	Part No	Part description	Q'ty	Notes	Frame No
1	42711-11712-E40-018	FRONT TIRE	1		
2	44650-B11B-9100-A16-0000	FRONT WHEEL	1	RED, BLACK	
3	42753-0000-E01-100	CYCLE VALVE	1		
4	1.10.19.J04000424	COUNTER	1		
5	4.10.24.B0830416-01	DISC BRAKE	1		
6	4.10.24.B0830416-02	MOUNTING BOLT, FR DISC	3		
7	1.10.08.B0060560-14	RUBBER SLEEVE	1		
8	1.05.04.01.1000	NUT U	1		
9	1.10.18.L0094444	FRONT AXLE ASSEMBLY	1		
10	1.05.10.102020	BUSHING,FRONT WHEEL	1		
11	4.10.18.L0094444-1	FRONT WHEEL AXLE	1		
12	1.10.08.B0060560-12	RUBBER SLEEVE	1		



No	Part No	Part description	Q'ty	Notes	Frame No
1	4.10.24.L0090.416-01	ON THE DISC BRAKE PUMP	1		
2	4.10.24.L0090.416-02	BRAKE PUMP PLATE FIXED ON A PLATE	1		
3	1.05.01.01.0612	HEXAGON FLANGE BOLTS	2		
4	4.10.24.L0090.416-03	THE PUMP SEAL	1		
5	4.10.24.L0090.416-05	PUMP SEAL ON THE PRESSURE PLATE	1		
6	4.10.24.L0090.416-06	UPPER, THE PUMP COVER	1		
7	1.05.02.10.0410	CROSS PAN HEAD SCREW	2		
8	4.10.24.L0090.416-08	RETURN SPRING	1		
9	4.10.24.L0090.416-09	OIL SEAL	2		
10	4.10.24.L0090.416-10	THE PISTON ROD	1		
11	4.10.24.L0090.416-11	THE PISTON ROD CIRCLIP	1		
12	4.10.24.L0090.416-12	PISTON ROD RUBBER SLEEVE	1		
13	4.10.24.L0090.416-13	BRAKE HANDLE	1		
14	4.10.24.L0090.416-14	BRAKE HANDLE BOLTS	1		
15	1.05.05.03.0600	SPG WASHER	1		
16	1.05.04.04.0600	HEXAGON NUT WITH FLANGE	1		
17	4.10.24.L0090.416-17	BRAKE SWITCH	1		
18	4.10.24.L0090.416-18	TROUGH PAN HEAD SCREWS COMBINED WITH FLAT WASHER	1		
19	4.10.24.L0090.416-19	OIL HOLE BOLT MAT	4		
20	4.10.24.L0090.416-20	OIL HOLE BOLT	2		
21	4.10.24.L0090.416-21	HYDRAULIC OIL LINE	1		
22	4.10.24.L0090.416-22	EXHAUST BOLT RUBBER MAT	1		
23	4.10.24.L0090.416-23	EXHAUST PIPE BOLT	1		
24	4.10.24.L0090.416-36	RETURN SPRING	1		



No	Part No	Part description	Q'ty	Notes	Frame No
25	4.10.24.L0090.416-37	DISC BRAKE PUMP	1		
26	4.10.24.L0090.416-38	CYLINDER PORT	1		
27	4.10.24.L0090.416-39	BRAKE PADS	1		
28	4.10.24.L0090.416-40	BOLT POSITIONING PIN	2		
29	4.10.24.L0090.416-41	PUMP MOUNTING BRACKET	1		
30	4.10.24.L0090.416-30	DUSTPROOF RUBBER MAT	1		
31	4.10.24.L0090.416-42	CONNECTING ROD STUD II	1		
32	4.10.24.L0090.416-43	CONNECTING ROD STUD II DUSTPROOF RUBBER MAT	1		
33	4.10.24.L0090.416-44	CONNECTING ROD STUD I	1		
34	4.10.24.L0090.416-34	DUSTPROOF RUBBER MAT	1		
35	4.10.24.L0090.416-60	UNDER THE DISC BRAKE PUMP ASSEMBLY	1		
36	4.10.24.L0090.416-62	ON THE DISC BRAKE PUMP ASSEMBLY	1		
37	1.10.24.L00900416	FR HYDRAULIC BRAKE ASSY	1		
38	1.05.01.01.0835	HEXAGON FLANGE BOLTS	2		

F-10

RR WHEEL

DIVA150

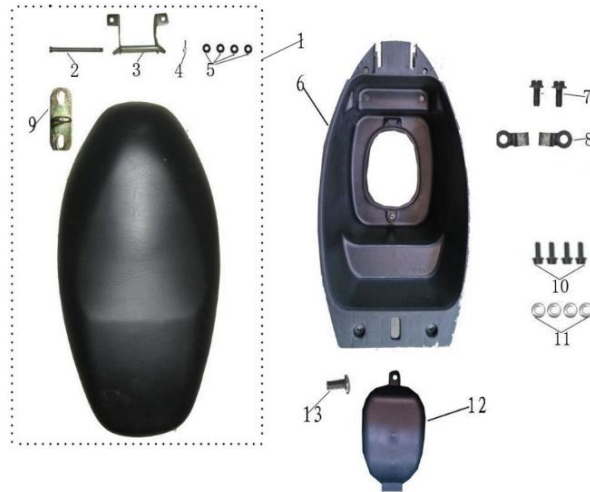


No	Part No	Part description	Q'ty	Notes	Frame No
1	42711-11712-E40-018	REAR TIRE	1		
2	42650-B11B-9100-A16-0000	REAR WHEEL	1	RED, BLACK	
3	42753-0000-E01-100	CYCLE VALVE	1		
4	95304-16000-C16-285	HEXAGON NUT WITH FLANGE	1		

F-11

SEAT ASSY

DIVA150



No	Part No	Part description	Q'ty	Notes	Frame No
1	77200-HFA2-9000-A22-0000	SEAT ASSY	1	with NIPPONIA embroidered logo	
2	81251-HFA2-9000-A22-0000	SEAT CASHION PIN	1		
3	81252-HFA2-9000-A22-0000	SEAT CASHION HINGE	1		
4	92301-06016-C16-082	CIRCLIP	1		
5	95602-06000-J02-155	HEXAGON FLANGE BOLTS	4		
6	90601-48A17-C16-005-4	LUGGAGE BOX	1		
7	94004-48016-C16-025	HEXAGON FLANGE BOLTS	2		
8	95801-00006-J02-005	HELMET HOOK	2		
9	94004-48012-C16-025	SEAT CUSHION LOCK	1		
10	1.05.01.01.0616	HEXAGON FLANGE BOLTS	4		
11	1.05.05.01.0600	WASHER	4		
12	1.10.35.B083.30182	INNER COVER,LUGGAGE BOX	1		
13	1.05.02.02.0612	BIG CROSS TRAY HEAD BOLT	1		



No	Part No	Part description	Q'ty	Notes	Frame No
1	17500-GY0B-9000-C20-0000	FUEL TANK	1		
2	37800-GY0B-9000-E26-0000	HEXAGON FLANGE BOLTS	4		
3	1.10.35.1009.01210	TANK OPENING SHEATH	1		
4	1.05.04.02.0600	HEXAGON FLANGE NUT	1		
5	17502-38760-C51-000	GASOLINE FILTER ASSY.	1		
6		GASOLINE TRIANGULAR VACUUM SWITCH	1		
7	17501-47850-C51-000	CLIP HOSE	2		
8		CLIP HOSE	6		
9	16910-0000-9002-E13-0000	FUEL SENSOR ASSY	1		
10	16940-0000-9100-E13-0000	FUEL SENSOR	1		
11	17511-10100-E08-003	FUEL SENSOR PLATE	1		
12	17511-10090-E08-003	FUEL SENSOR SEALING	1		
13			18		
14	1.10.10.001	FUELPIPE	9		
15			21		
16	92301-06016-C16-082	VACUUM PIPE	34		
17	1.10.34.00000531-3	THE CAP	1		
18	1.10.34.00000531-3-01	THE CAP GASKET	1		



No	Part No	Part description	Q'ty	Notes	Frame No
1	83601-HFA2-9000-A22-0000	REAR CARRIER	1		
2	83501-HFA2-9000-A22-0000	STAND BACK BRACKET	1		
3	80151-HFA2-9000-A22-0000	HEXAGON FLANGE BOLTS	2		
4	83712-HFA2-9000-A22-0000	L. DECORATIVE BOARD	1		
5	83711-HFA2-9000-A22-0000	R. DECORATIVE BOARD	1		
6	90601-48A17-C16-005-5	SCREW TAPPING	4		
7	94001-48016-C16-02M	HEXAGON FLANGE BOLTS	3		
8	1.05.01.01.0820	HEXAGON FLANGE BOLTS	1		
9	1.05.02.03.4812	SCREW TAPPING	4		
10	1.05.02.03.4212	SCREW TAPPING	2		
11	1.05.11.1000	CLIP, TAPPING SCREW	2		
12	1.10.64.631361	WASHER	3		



No	Part No	Part description	Q'ty	Notes	Frame No
1	1720A-HFA2-9000-C51-0000	AIR FILTER	1		
2	4.10.39.C1230600-01	UPPER COVER,AIR FILTER	1		
3	4.10.39.C1230600-02	ELEMENTS,AIR FILTER	1		
4	4.10.39.C1230600-03	DOWN COVER,AIR FILTER	1		
5	4.10.39.C1230600-04	HOOP	1		
6	92301-06025-J02-085	HEXAGON FLANGE BOLTS	2		
7	1.05.02.01.0610	SMALL CROSS TRAY HEAD BOLT	1		
8	4.10.39.00000600-4	RUBBER PLUG	1		
9	4.10.39.00000600-2	AIR FILTER CIRCLIP	3		
10	4.10.39.C0000600-7	WASTE OIL RECYCLING LONG TUBE	1		
11	4.10.39.C0000600-8	WASTE OIL RECYCLING SHORT TUBE	1		

F-15

MUFFLER ASSY

DIVA150



No	Part No	Part description	Q'ty	Notes	Frame No
1	1820A-HFA2-9000-B04-0000	MUFFLER ASSY	1		
2	1.05.01.01.0855	HEXAGON FLANGE BOLTS	1		
3	1.05.01.01.0845	HEXAGON FLANGE BOLTS	1		
4	1.05.04.05.0600	CAP NUT	2		
5	4.10.30.C0830505-02	PROTECTOR MUFFLER	1		
7	1.05.02.01.0620	SMALL CROSS TRAY HEAD BOLT	1		
8	4.05.05.01.1000-04	WASHER	3		
9	95601-06000-J02-155	GASKET EXH PIPE	1		
10	92301-08055-J02-085	WASHER	2		
11	1.05.05.03.0800	SPING WASHER	2		

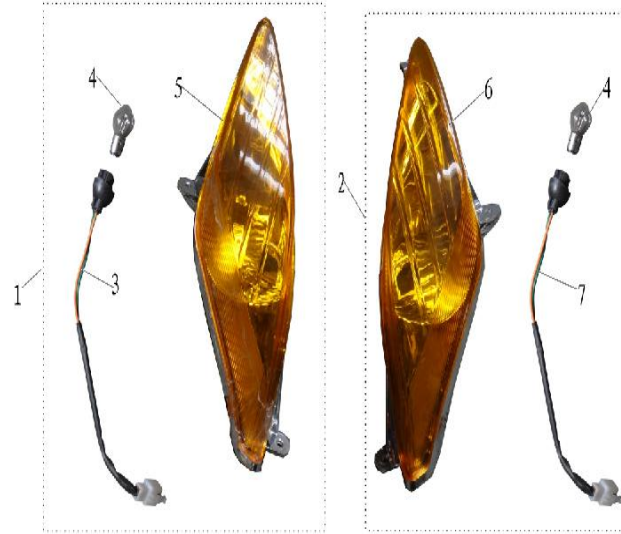


No	Part No	Part description	Q'ty	Notes	Frame No
1	1.10.23.260432-1	REAR SHOCK	1		
2	1.05.05.01.1000	WASHER	1		
3	1.05.05.03.1000	SPING WASHER	1		
4	1.05.01.01.1045	BOLT FLANGE	1		
5	1.05.05.01.0800	WASHER	1		
6	1.05.05.03.0800	SPG WASHER	1		
7	1.05.01.01.0835	HEXAGON FLANGE BOLTS	1		

F-17

FR WINKER ASSY

DIVA150



No	Part No	Part description	Q'ty	Notes	Frame No
1	64701-HFA2-9000-A22-0000	FRONT LEFT-TURNING LAMP ASSY.	1		
2	1.10.35.B083.30102	FRONT RIGHT-TURNING LAMP ASSY.	1		
3	4.10.35.B083.30103-02	CABLE, FRONT LEFT-TURNING LAMP	1		
4	4.10.35.B083.30103-03	TURNING LAMP	2		
5	4.10.35.B083.30103-01	COVER, FRONT LEFT-TURNING LAMP	1		
6	33450-HFA2-9000-A22-0000	COVER, FRONT RIGHT-TURNING LAMP	1		
7	4.10.35.B083.30102-02	CABLE, FRONT RIGHT-TURNING LAMP	1		
8	1.05.02.03.4212	SCREW TAPPING	6		

F-18

TAILLIGHT ASSY

DIVA150



No	Part No	Part description	Q'ty	Notes	Frame No
1	33700-HFA2-9000-A22-0000	REAR LIGHT	1		
2	4.10.35.B083.30101-01	COVER,REAR LIGHT	1		
3	4.10.35.B083.30101-02	REAR LIGHT CABLE	1		
4	4.10.35.B083.30101-03	REAR LIGHT SMALL BULB	1		
5	4.10.35.B083.30101-04	REAR LIGH TBIG LIGHT BULB	1		
6	1.05.04.02.0600	HEXAGON NUT WITH FLANGE	4		
7	90601-48A17-C16-005-6	THE BACK REFLECTOR	1		
8	94001-48012-C16-02M	REAR FENDER	1		
9	94001-42012-C16-025-5	REAR INNER FENDER	1		
10	1.10.15.C008.00305	HOLDER,REAR FENDER	1		
11	1.05.01.01.0612	HEXAGON FLANGE BOLTS	2		
12	1.05.11.1000	CLIP,TAPPING SCREW	2		
13	1.05.01.01.0616	HEXAGON FLANGE BOLTS	2		
14	1.05.05.01.0600	WASHER	2		

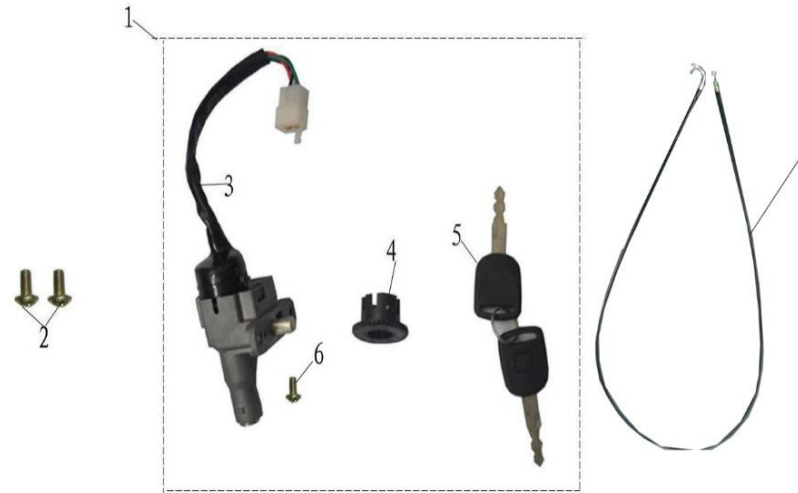
F-19

WIRE HARNESS

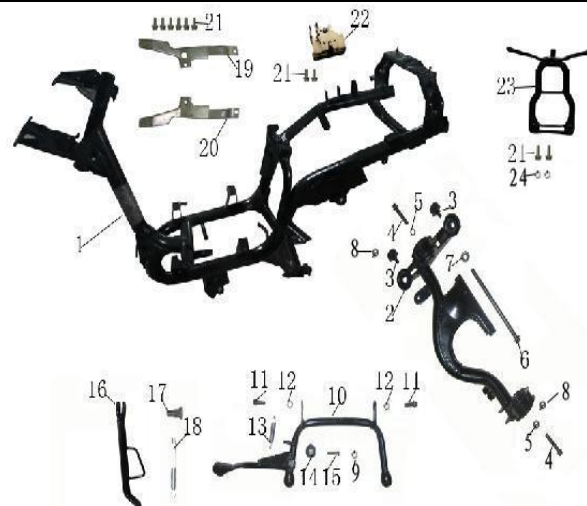
DIVA150



No	Part No	Part description	Q'ty	Notes	Frame No
1	32100-HFA2-9000-Y02-0008	MAIN CABLE	1		
2	2.10.11C1230800-1	THE BATTERY LINE	1		
3	38300-0000-9000-C88-000	HORN COMP	1		
4	92301-06012-J02-085	HEXAGON FLANGE BOLTS	2		
5	38301-0000-9000-S02-0000	FLASHER	1		
6	38301-0000-9000-C38-0000	FLASHER PROTECTOR	1		
7	31600-SQZ1-0000-S02-0000	VOLTAGE STABILIZER	1		
8	30400-SQZ1-0000-S02-0000	CDI	1		
9	35850-SQZ1-0000-S02-0000	RELAY	1		
10	32002-60140-C38-0000	RIBBON	8		
11	93302-06020-J02-045	BOLT	1		
12	30510-SQGY-0000-R03-0000	IGNITION COIL ASSY	1		
13	1.20.26.01.02020	IGNITION COIL	1		
14	1.20.26.01.02010	IGNITION COIL CAP	1		
15	31500-01207-H05-000	BATTERY	1		
16	92301-06012-J02-082	HEXAGON FLANGE BOLTS	1		
17		USB CHARGER	1		



No	Part No	Part description	Q'ty	Notes	Frame No
1	35010-GY0B-9100-P08-0000	LOCK	1		
2	1.05.02.02.0616	SMALL CROSS TRAY HEAD BOLT	2		
3	4.10.04.L0090023-01	IGNITION SWITCH LOCK	1		
4	4.10.04.L0090023-02	COVER,IGNITION SWITCH LOCK	1		
5	4.10.04.L0090023-03	KEY	1		
6	1.05.02.02.0512	SMALL CROSS TRAY HEAD BOLT	1		
7	1.10.03.L0090026-1	SEAT CABLE	1		



No	Part No	Part description	Q'ty	Notes	Frame No
1	50100-HFA2-9000-W10-0000	FRAME	1		
2	92301-06012-J02-085	CRADLE WELDING ASSY.	1		
3	95301-06000-C16-085	CRADLE BUFFER LUMP	2		
4	50610-HFA2-9000-W10-0000	HEXAGON FLANGE BOLTS	2		
5	50620-HFA2-9000-W10-0000	WASHER	2		
6	90501-A1225-C16-085	CRADLE SHAFT	1		
7	50530-HFA2-9000-W10-0000	NUT U	1		
8	50541-12115-E08-105	SPG WASHER	2		
9	50521-13095-E08-105	HEXAGON NUT WITH FLANGE	1		
10	90601-48A17-C16-005-7	MAIN STAND	1		
11	95801-00008-J02-005	HEXAGON FLANGE BOLTS	2		
12	91004-08175-C16-185	THE MAIN SUPPORT SPACER	2		
13	50500-HFA2-9000-W10-0000	MAIN STAND SPRING	1		
14	50352-0000-9000-C38-0000	THE MAIN SUPPORT CUSHION BLOCK	1		
15	50350-ZS0B-9000-W10-0000	HEXAGON FLANGE BOLTS	1		
16	50353-GY0B-9000-C38-0000	SIDE STAND	1		
17	91002-12235-C16-085	MOUNTING BOLT,SIDE STAND	1		
18	91002-10205-J02-085	SIDE STAND SPRING & SIDE STAND	1		
19	50357-GY0B-9000-C44-0000	MOUNTING BRACKET,R.FOOT PLATE	1		
20	95304-10000-C16-185	MOUNTING BRACKET,L.FOOT PLATE	1		
21	1.05.01.01.0612	HEXAGON FLANGE BOLTS	10		
22	2.10.15.L009C316	HOLDER,SEAT LOCK BRACKET	1		
23	1.10.15.B083.01306	FUEL TANK,PRESSING PLATE	1		
24	1.05.04.02.0600	HEXAGON NUT WITH FLANGE	2		

F-22

TOOL SET

DIVA150



No	Part No	Part description	Q'ty	Notes	Frame No
1	1.10.62.00000900-3	TOOL SET	1		
2	4.10.62.00000900-15	TOOL BAG	1		
3	4.10.62.00000900-09	SCREW DRIVER	1		
4	4.10.62.00000900-08	COMBINED WITH A SCREWDRIVER	1		
5	4.10.62.00000900-02	THE SPARK PLUG SLEEVE	1		
6	4.10.62.00000900-10	ALLEN WRENCH	1		
7	4.10.62.00000900-04	OPEN END WRENCH	1		
8	4.10.62.00000900-05	OPEN END WRENCH 10-12	1		
9	4.10.62.00000900-07	OPEN END WRENCH 14-17	1		