



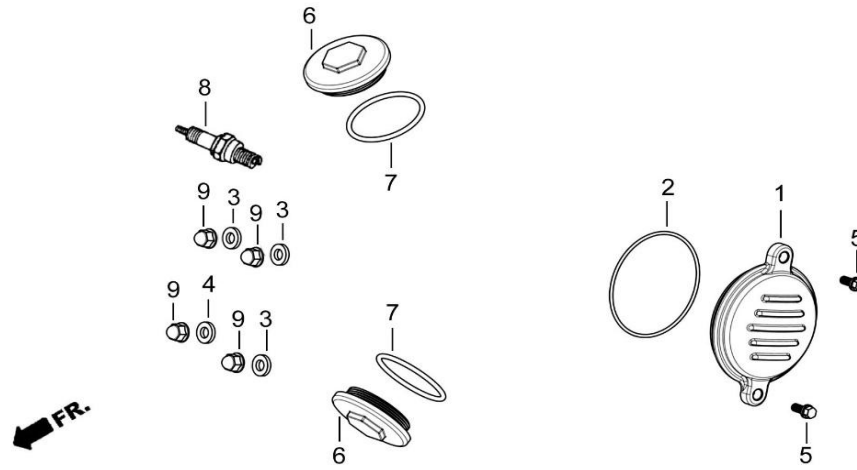
NC125 SPACE



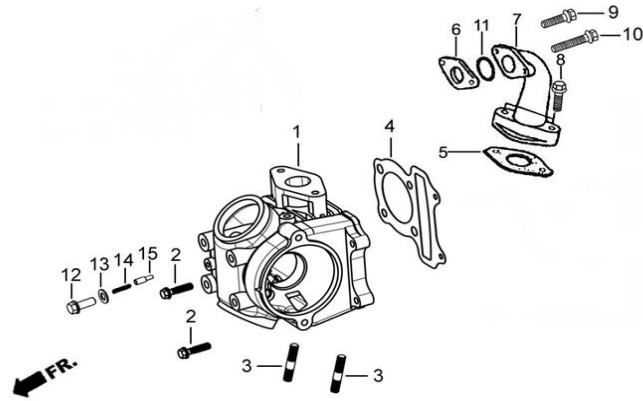
- Blanco
- Azul
- Rojo
- Negro

SPARE PARTS CATALOGUE

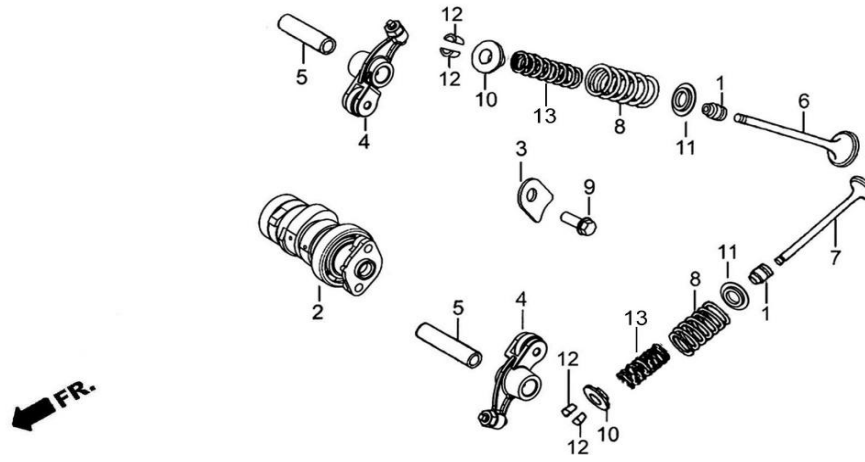
version 23.05



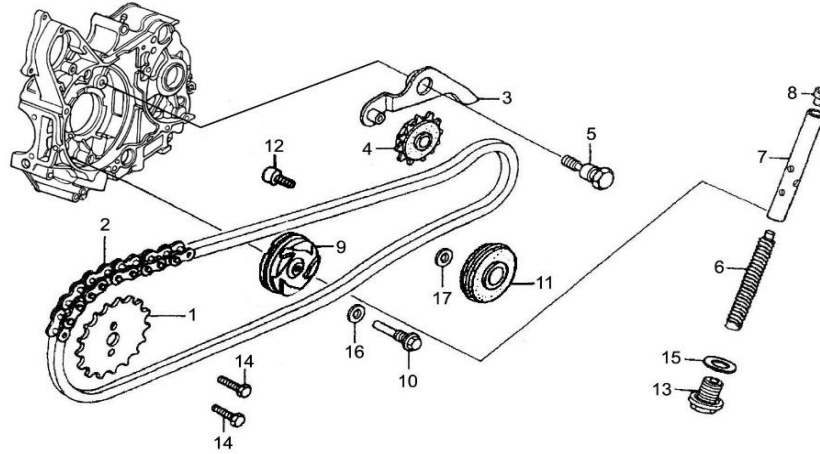
No	Part No	Part description	Q'ty	Notes	Frame No
1	EH156-50007A	COVER,L.CYLINDER HEAD SIDE	1		
2	EG132-50023	O-RING 69X2	1		
3	EG001-50031	WASHER A	3		
4	EG001-50031	WASHER A	1		
5	EG001-50020	BOLT,FLANGE 6x23	2		
6	EB018-50007	CAP,TAPPET ADJUSTING HOLE	2		
7	EB018-50008	O-RING	2		
8	EI008-03100	PLUG,SPARK B8RTC	1		
9	EG001-50017A	NUT,CAP	4		



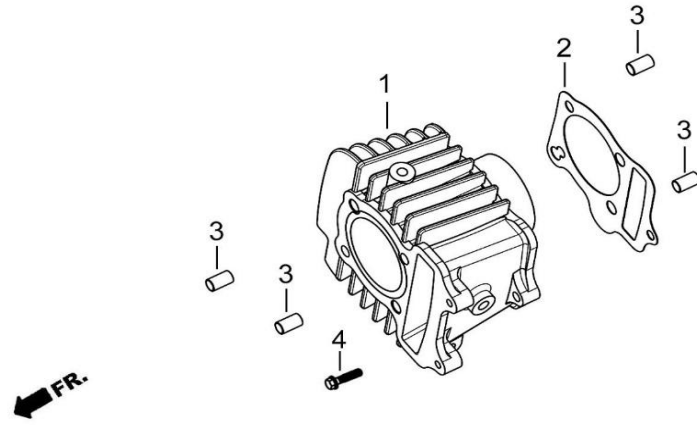
No	Part No	Part description	Q'ty	Notes	Frame No
1	EH156-50101D	HEAD COMP.,CYLINDER	1		
2	EG001-50026	BOLT FLANGE 6×23	2		
3	EG081-50106	BOLT,STUD.	2		
4	EI109-50019	GASKET,CYLINDER HEAD	1		
5	VH0544-05001	GASKET,INTAKE PIPE	1		
6	ZFA001-050051	GASKET,CARBURETOR	1		
7	VH0639-05300A	PIPE,INTAKE	1		
8	W5324010	BOLT FLANGE 6×25	2		
9	NEI001-57301	BOLT FLANGE 6×22	2		
10	EJ999-53015	BOLT,FLANGE 6×43			
11	ZFA001-05004	O-RING	1		
12	NEI001-66001	BOLT FLANGE 6×18	1		
13	EG001-50022	WASHER 6.5	1		
14	EI008-50029	SPRING,CAM SHAFT STOP	1		
15	EI008-50030	END,SPRING	1		



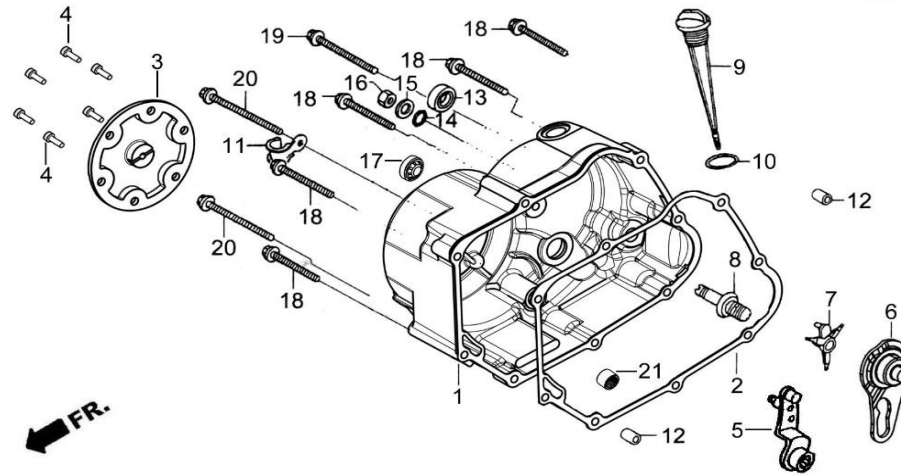
No	Part No	Part description	Q'ty	Notes	Frame No
1	EF001-50012	SEAL,VALVE STEM	2		
2	EH156-50200A	CAMSHAFT COMP.	1		
3	EIO30-50009	PLATE COMP.,STOPPER	1		
4	EH156-50300	ARM,VALVE ROCKER	2		
5	EH156-50021	SHAFT, VALVE ROCKER ARM	2		
6	EH156-50002	VALVE, INTAKE	1		
7	EH156-50003	VALVE, EXHAUST	1		
8	EH156-50004	SPRING,VALVE	2		
9	NEI001-53026	BOLT,FLANGE 6*12	1		
10	EF001-50015	RETAINER,VALVE SPRING	2		
11	EG001-50018-0004	SEAT,VALVE SPRING LOWER	2		
12	EF001-50010	COTTER,VALVE	4		
13	EF001-50004	SPRING, VALVE INNER	2		



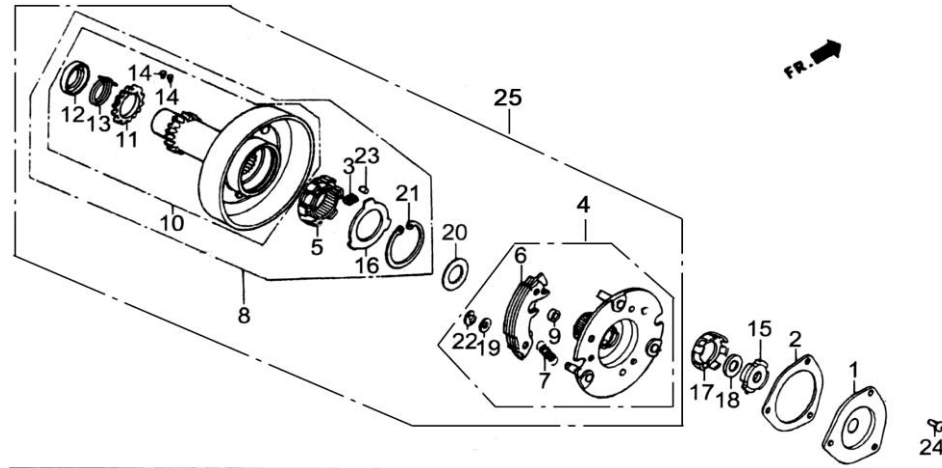
No	Part No	Part description	Q'ty	Notes	Frame No
1	EH156-51001	SPROCKET, CAM	1		
2	EH156-51002-0050	CHAIN, CAM	1		
3	EG001-51009	ARM COMP.,CAM CHAIN TENSIONER	1		
4	EG001-51005	ROLLER,CAM CHAIN TENSIONER	1		
5	EF001-51010	PIVOT,CAM CHAIN TENSIONER	1		
6	EG001-51008	SPRING,CAM CHAIN TENSIONER	1		
7	EG001-51100-0050	ROD COMP.,CAM CHAIN TENSIONER PUSH	1		
8	EF001-51012	HEAD,CAM CHAIN TENSIONER PUSH ROD	1		
9	EH156-51004	ROLLER,CAM CHAIN GUIDE	1		
10	EH001-51011	PIN,CAM CHAIN GUIDE ROLLER	1		
11	EH001-51015	ROLLER,CHAIN	1		
12	EH001-51013	PIN,ROLLER	1		
13	EF001-510131	BOLT,SEALING	1		
14	EG001-51010	BOLT,5×12	2		
15	EF001-53024	WASHER,SEALING	1		
16	EF001-50028	WASHER	1		
17	EH001-51014	WASHER	1		



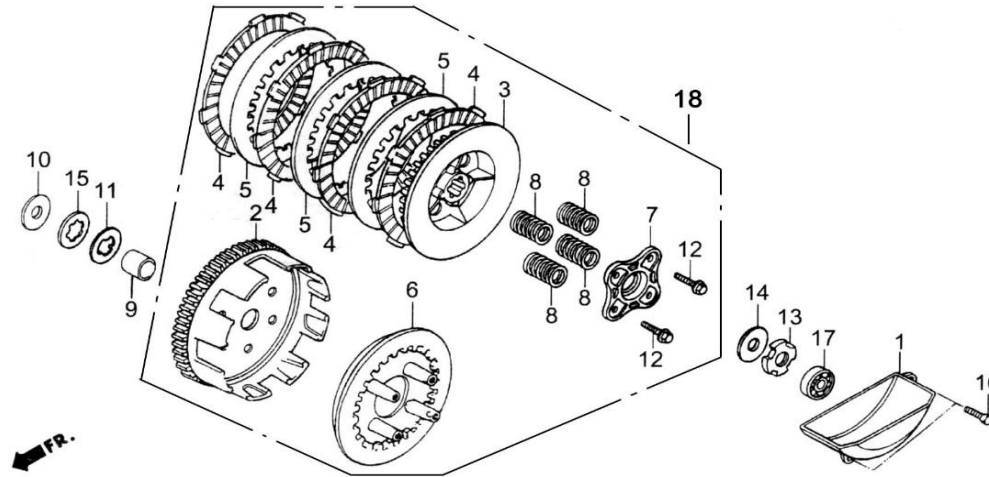
No	Part No	Part description	Q'ty	Notes	Frame No
1	EI122-50700	CYLINDER	1		
2	EI001-50011B	GASKET, CYLINDER	1		
3	EG001-50025	PIN, DOWEL 8×14	4		
4	EG001-50026	BOLT, FLANGE, 6×2 ³ / ₈	1		



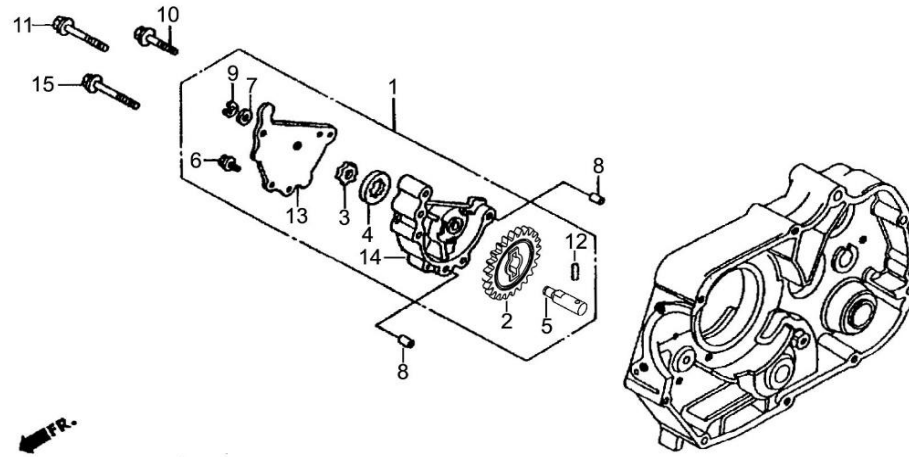
No	Part No	Part description	Q'ty	Notes	Frame No
1	EH001-53501A-**	COVER COMP., R. CRANKCASE	1		
2	EH001-53005B	GASKET, R. CRANKCASE	1		
3	EH050-53503A-1650	COVER, MARK	1		
4	EH050-53505	BOLT, FLANGE 6x14	6		
5	EH001-54500	LEVER, CLUTCH	1		
6	EH001-54400	PLATE COMP., CLUTCH CAM	1		
7	EG001-54300	ROD COMP., CLUTCH LIFTER	1		
8	EG001-54019	BOLT, CLUTCH ADJUSTING	1		
9	EG001-53502	GAUGE, OIL LEVEL	1		
10	NEI001-53505	O-RING 18x3	1		
11	EG001-53008	CLIP, HIGH-TENSION CABLE	1		
12	EG001-53014	PIN, DOWEL	2		
13	W5040001	REARING, ROLLER	1		
14	EG001-54020	O-RING	1		
15	EG001-54021	WASHER	1		
16	EG001-54022	NUT, HEX	1		
17	EG999-53008	HOLE, PEEP	1		
18	EF001-53019	BOLT, FLANGE 6x40	5		
19	EF001-53012	BOLT, FLANGE 6x65	1		
20	EG001-53009	BOLT, FLANGE 6x80	2		
21	EF001-53008	OIL SEAL	1		



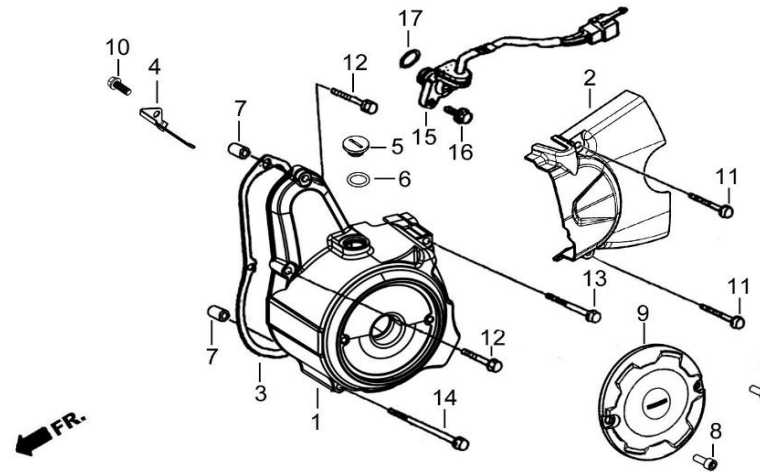
No	Part No	Part description	Q'ty	Notes	Frame No
1	EI109-56142	COVER,OIL.FILTER	1		
2	EG001-56151	GASKET,OIL FELLTER	1		
3	EG001-56155	SPRING,ONEWAY RETAINER	6		
4	EI109-56120	PLATE COMP., PRIMARY DRIVE ASSY (WITH SHOE SPRINGS, PRIMARY CLUTCH)	1		
5	EG001-56005	INNER COMP.,ONEWAY CLUTCH	1		
6	EI008-56101	WEIGHT,PRIMARY CLUTCH	3		
7	EI109-56108	SPRING,PRIMARY CLUTCH	3		
8	EH001-56150-0051	OUTER ASSY.,PRIMARY CLUTCH	1		
9	EG001-56137	RUBBER,CLUTCH DAMPER	3		
10	EG001-56001	GEAR COMP.,PRIMARY DRIVE	1		
11	EH001-56155	GEAR,SUB,17T	1		
12	EH001-56152	COLLAR,SIDE	1		
13	EH001-56154	SPRING,SUBGEAR	1		
14	EG001-56161	PIN	2		
15	EG001-56004	NUT B,LOCK,14×1	1		
16	EG001-56158	WASHER 30	1		
17	EG001-56007	WASHER,LOCK	1		
18	EG001-56205	WASHER,LOCK	1		
19		WASHER, THRUST,8	3		
20	EH001-56153	WASHER, THRUST,9	1		
21	EG001-56157	CIRCLP,INTERNAL,45	1		
22		CIRCLP	3		
23	EG001-56156	ROLLER 5×8	6		
24	EG001-56008	SCREW,PAN,5×6	3		
25	EI109-56100	PRIMARY CLUTCH	1		



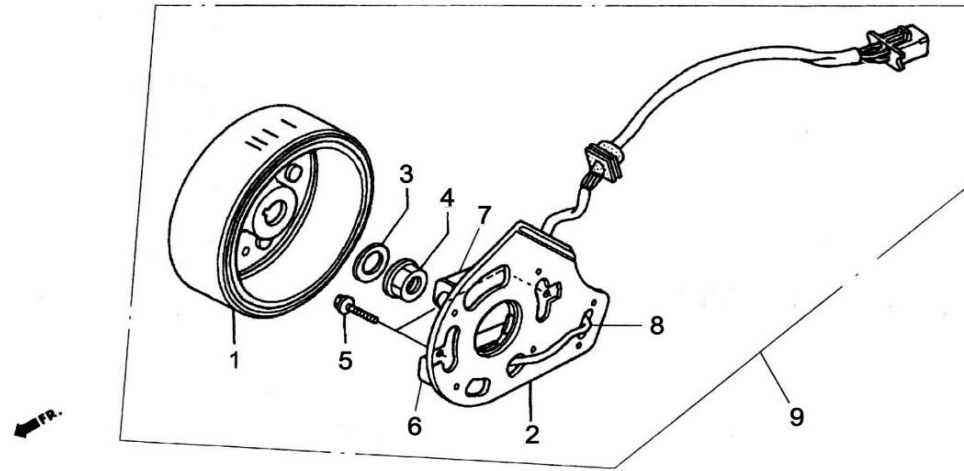
No	Part No	Part description	Q'ty	Notes	Frame No
1	EG001-56207	PLATE,OIL SEPARATOR	1		
2	EH001-56350	OUTER COMP.,CLUTCH	1		
3	EG001-56314-0050	CENTER COMP.,CLUTCH	1		
4	EH001-56302	DISK,CLUTCH FRICTION	4		
5	EH001-56201	PLATE,CLUTCH	3		
6	EG001-56310	PLATE,CLUTCH PRESSURE	1		
7	EG001-56307	PLATE,CLUTCH LIFTER	1		
8	EG001-56202	SPRING,CLUTCH	4		
9	EG001-56204	COLLAR,CLUTCH CENTER	1		
10	EG001-56201	COLLAR,DISTANCE	1		
11	EG001-56203	SET RING	1		
12		BOLT,SPECIAL FLANGE,6×22	4		
13	EG001-56206	NUT,LOCK 14	1		
14	EG001-56205	WASHER LOCK	1		
15	EG001-56202	WASHER ,SPLINE,17	1		
16	W5324007	BOLT,HEX.,6×20	2		
17	W5900017	BEARING,RADIAL BALL,6000	1		
18	EH001-56200-0050	CLUTCH FRICTION	1		



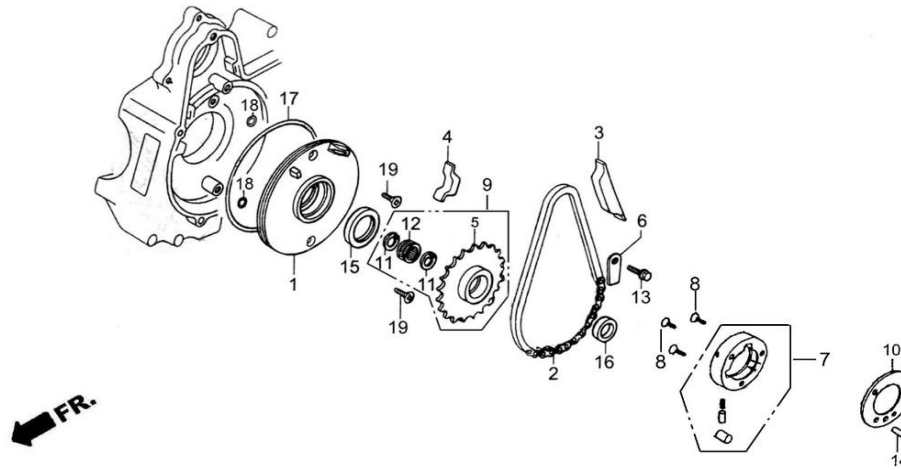
No	Part No	Part description	Q'ty	Notes	Frame No
1	EH049-61	PUMP, ASSY.,OIL	1		
2	EH049-61106	GEAR,OIL PUMP DRIVEN	1		
3		ROTOR,OIL PUMP INNER	1		
4		ROTOR,OIL PUMP OUTER	1		
5	EH049-61105	SHAFT,OIL PUMP	1		
6		SCREW,5×10	3		
7		WASHER	1		
8	EG001-53014	PIN,DOWEL 8×12	2		
9		CIRCLIP	1		
10	EH049-61003	SCREW 6×30	1		
11	EH049-61004	SCREW 6×35	1		
12		PIN,OIL PUMP	1		
13		COVER,OIL PUMP	1		
14		BODY, OIL PUMP	1		
15	W5313122	SCREW 6×35	1		



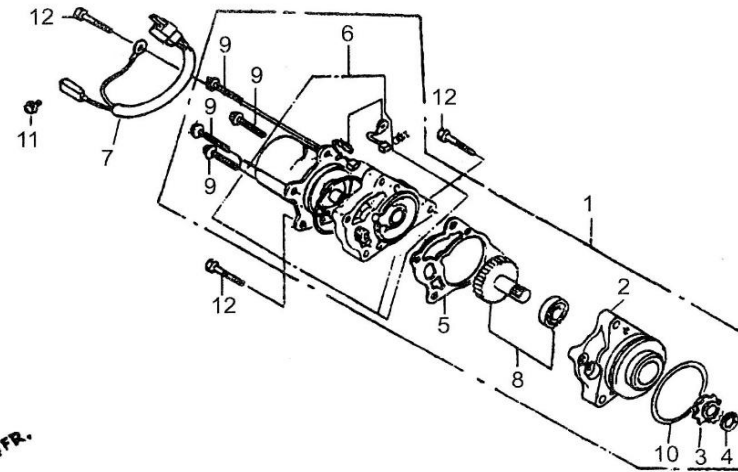
No	Part No	Part description	Q'ty	Notes	Frame No
1	EH156-53301-**	COVER,L.CRANKCASE	1		
2	VH0257-05100B-**	COVER,L.CRANKCASE REAR	1		
3	EG001-53006	GASKET,L.CRANKCASE COVER	1		
4	EH001-53405	CLAMPER,A.C.GENERATOR CORD	1		
5	EG001-53403-**	PLUG,MAGNETO SCREW	1		
6	EG001-53405	O-RING,13.8×2.5	1		
7	EG001-53014	PIN,DOWEL,8×12	2		
8	EH156-53305	BOLT 6*10	2		
9	EI109-53304-**	COVER,L.TRADE MARK	1		
10	EG001-50020	BOLT,FLANGE,6×20	1		
11	ZFA001-05007	BOLT,6×28	2		
12	EG001-53012	BOLT,FLANGE,6×32	2		
13	EF001-53015	BOLT,6×50	1		
14	EG001-53010	BOLT,FLANGE,6×70	1		
15	VGB001-89000A	SWITCH COMP.,GEARSHIFTING DISPLAY	1		
16	EG001-50020	BOLT FLANGE 6×20	1		
17	VGB001-89001A	O-RING 21*2.3	1		



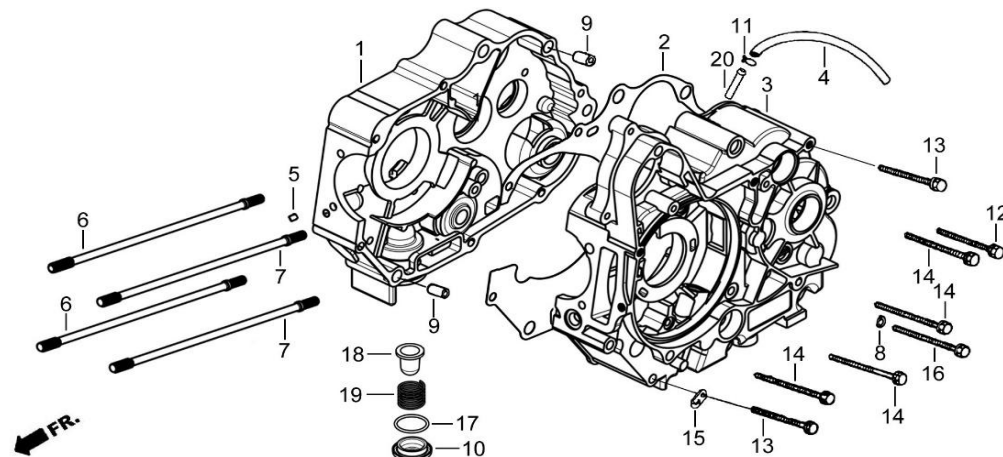
No	Part No	Part description	Q'ty	Notes	Frame No
1		FLYWHEEL COMP.	1		
2		STATOR COMP.	1		
3	EH001-53406	PLATE ,PRESSURE	1		
4	EG001-52007A	WASHER	1		
5	W5322002	BOLT, 5×10	2		
6	W5324001	BOLT, 5×16	1		
7	EG001-52006A	NUT, FLANGE	1		
8	VGA001-05005	BOLT, FLANGE, 6×25	1		
9	EI112-84	GENERATOR	1		



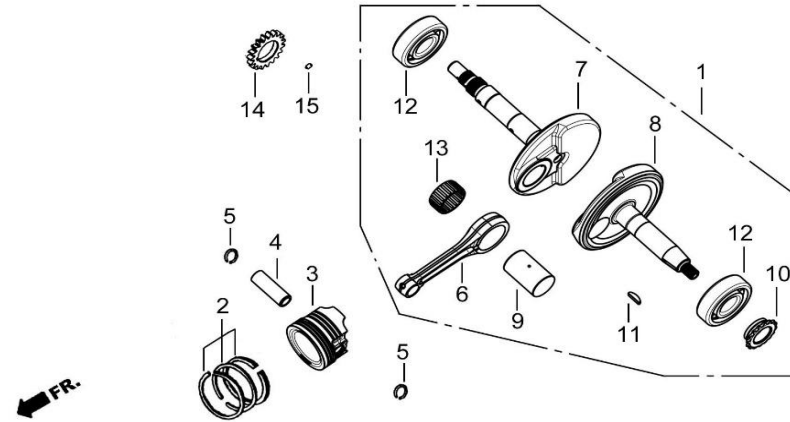
No	Part No	Part description	Q'ty	Notes	Frame No
1	EG001-60002	PLATE,OIL SEPARATOR	1		
2	EG001-60001A	CHAIN,STARTING 62 LINK	1		
3	EG001-60004A	GUIDE,STARTING CHAIN	1		
4	EG001-60005	PROTECTOR ,STARTING CHAIN	1		
5	EG001-60003	SPROCKET COMP.,STARTING	1		
6	EG001-60006	PLATE,STARTING SPROCKET SETTING	1		
7	EG001-60100	STARTING CLUTCH	1		
8	W5313204	BOLT M6*16	3		
9	EG001-60300	SPROCKET COMP.,STARTING	3		
10	EG001-60102	PLATE,STARTING CLUTCH SIDE	1		
11	EG001-60010	CIRCLIP,INTERNAN,23	2		
12	W5040004	REARING,ROLLER,19×23×13	1		
13	EG001-60106	BOLT,6×10	3		
14	EG001-60107	ROLLER,5×11.8	1		
15	EG001-60008	OIL SEAL,30×42×4.5	1		
16	EG001-60007	OIL SEAL,18.9×28×5	1		
17	EG001-60009	O-RING	1		
18	EG001-53204	O-RING	2		
19	W5313204	SCREW,6×16	2		



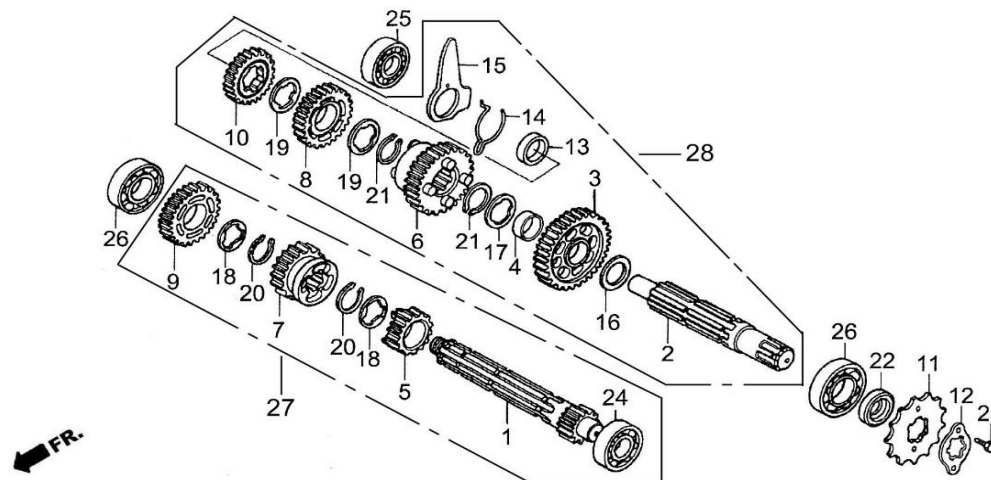
No	Part No	Part description	Q'ty	Notes	Frame No
1	EG001-83-0099	MOTOR ASSY.,STARTER	1		
2	EG001-83002	CASE,FRONT	1		
3	EG001-83001	SPROCKET	1		
4	EG001-83003	CIRCLIP,EXTERNAL,12	3		
5	EG001-83004	PACKING	1		
6	EG001-83500	MOTOR COMP.	1		
7	EG001-83200	SUB HARNESS A	1		
8	EG001-83300	GEAR COMP.,DRIVEN	1		
9		BOLT	4		
10	EG001-83401	O-RING A	1		
11		SCREW-WASHER,4x6	1		
12	W5323003	BOLT,HEX,6x50	3		



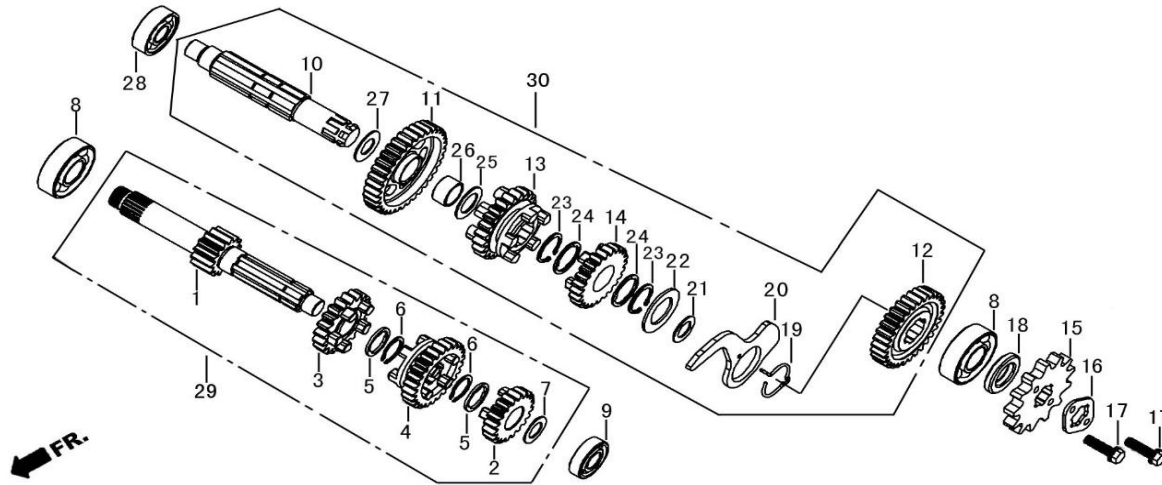
No	Part No	Part description	Q'ty	Notes	Frame No
1	EH022-53301B	CRANKCASE COMP.	1		
2	EH001-53004B	GASKET,CRANKCASE	1		
3	EI001-53201C	CRANKCASE COMP.,LEFT	1		
4	EI112-53011	TUBE,BREATHER	1		
5	EG001-53303	MOUTH,OIL	1		
6	EH156-50023	BOLT A,CYLINDER STUD	2		
7	EH001-53001	BOLT A,CYLINDER STUD	2		
8	EF001-50026A	WASHER	1		
9	EG001-53013	PIN,KNOCK 10×14	2		
10	EF001-500091	BOLT,DRAIN PLUG	1		
11	EG001-53015	RING,LOCK C9	1		
12	EF001-53015	BOLT,FLANGE 6×50	1		
13	EF001-53014	BOLT,FLANGE 6×60	2		
14	EF001-53012	BOLT,FLANGE 6×65	4		
15	EG001-53011	CLIP, OVERFLOW PIPE	1		
16	EG001-53010	BOLT,FLANGE,6×70	1		
17	EF001-50019	O-RING	1		
18	EI997-53003A	SCREEN,OIL	1		
19	EI998-53504	SPRING,OIL SCREEN	1		
20	EG001-53203	JIONTER,BREATHER TUBE	1		



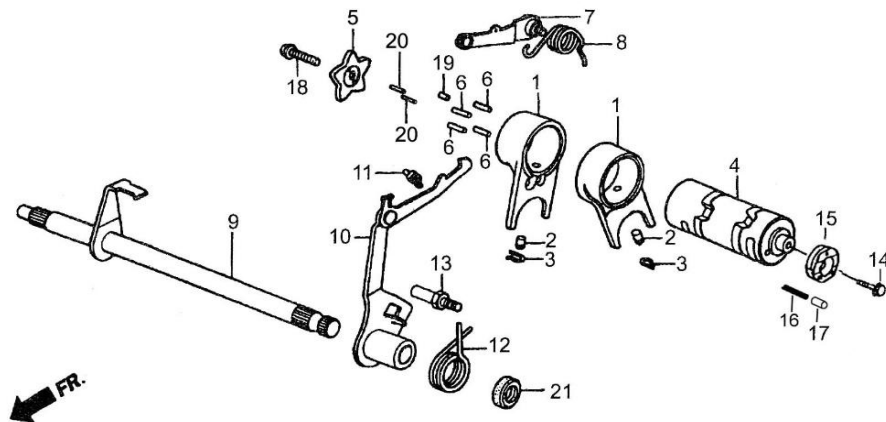
No	Part No	Part description	Q'ty	Notes	Frame No
1	EI109-52100A-0050	CONNECTING,COMP.	1		
2	EI008-52200-0051	RING SET,PISTON	1		
3	EI109-52001	PISTON	1		
4	EI008-52002	PIN,PISTON	1		
5	EG001-52003	CLIP,PISTON PIN	2		
6	EH156-52101	ROD,CONNECTING	1		
7	EI109-52102	CRANKSHAFT COMP.,R	1		
8	EI109-52103	CRANKSHAFT COMP.,L	1		
9	EG001-52104	PIN,CRANK	1		
10	EH156-52106	SPROCKET,TIMING	1		
11	EF001-52004	KEY,WOODRUFF	2		
12	W5900003	BEARING,RADIAL BALL	2		
13	EG001-52105	BEARING,NEEDLE	1		
14	EH001-52006	GEAR, OIL PUMP DRIVEN	1		
15	EH001-52007	PIN, ROUND	1		



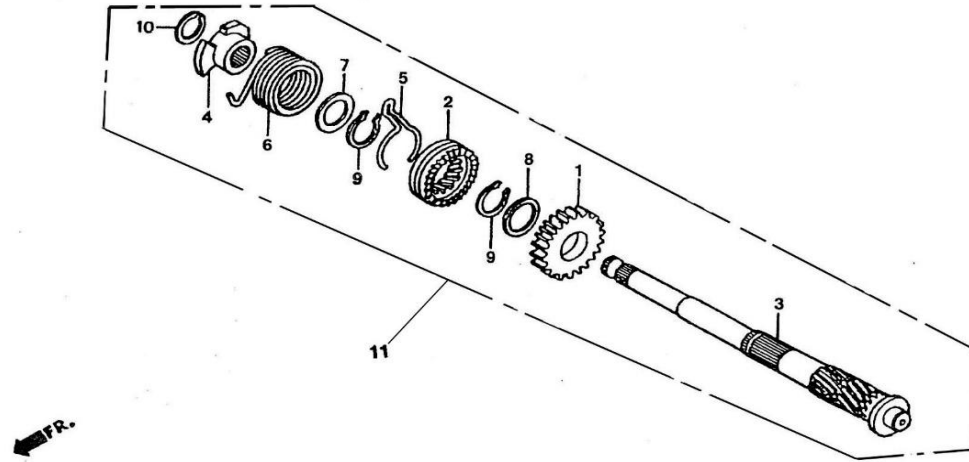
No	Part No	Part description	Q'ty	Notes	Frame No
1	EG001-55101	MAINSHAFT,TRANSMISSION	1		
2	EG001-55207	COUNTERSHAFT	1		
3	EG001-55201	GEAR,COUNTERSHAFT FIRST(36T)	1		
4	EG001-55215	BUSH 20×9	1		
5	EG001-551021	GEAR,MAINSHAFT 2nd(16T)	1		
6	EG001-552021	GEAR,COUNTERSHAFT 2nd(31T)	1		
7	EG001-55103A	GEAR,MAINSHAFT 3rd(21T)	1		
8	EG001-55203A	GEAR,COUNTERSHAFT 3rd(26T)	1		
9	EG001-55104	GEAR,MAINSHAFT 4th(24T)	1		
10	EG001-55204	GEAR,COUNTERSHAFT 4th(23T)	1		
11	VGA001-05002-0052	SPROCKET,DRIVE	1		
12	ZFA001-05003	PLATE,FIXING	1		
13	EG001-55210	COLLAR	1		
14	EG001-55209	SPRING,DAMPER	1		
15	EG001-55208	PLATE,GEARSHIFT DRUM LOCK	1		
16	EG001-55211	WASHER,THRUST 17	1		
17	EG001-55213	WASHER,SPLINE	1		
18	EG001-55108	WASHER,SPLINE 17	2		
19	EG001-55214	WASHER,SPLINE 20	2		
20	EG001-55107	CIRCLIP 17	2		
21	EG001-55212	CIRCLIP	2		
22	EF001-53010	OIL SEAL 17×29×5	1		
23	W5324003	BOLT 6×8	2		
24	W5900004	BEARING,RADIAL BALL 6001	1		



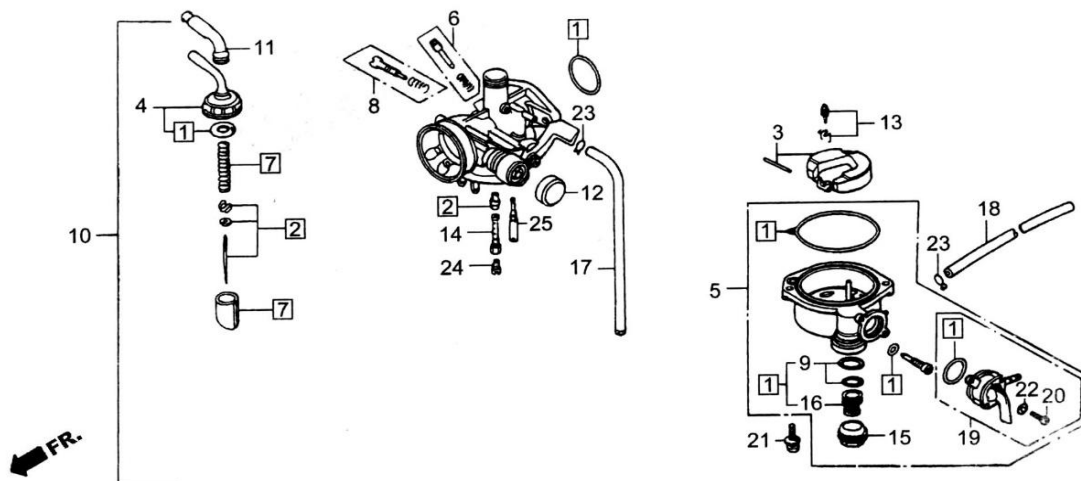
No	Part No	Part description	Q'ty	Notes	Frame No
25	W5900008	BEARING,RADIAL BALL 6201	1		
26	W5900014	BEARING,RADIAL BALL 6203	2		
27	EG001-55100	MAINSHAFT COMP.,TRANSMISSION	1		
28	EH002-55200	COUNTERSHAFT COMP.,TRANSMISSION	1		



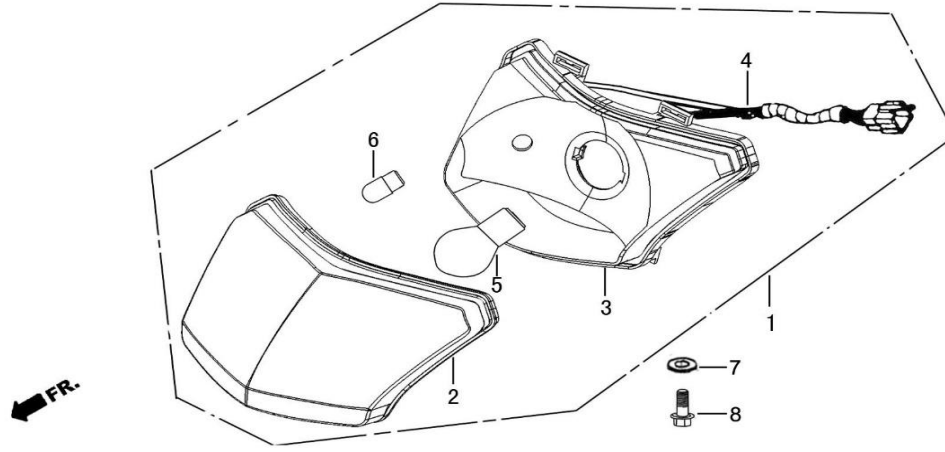
No	Part No	Part description	Q'ty	Notes	Frame No
1	EG001-54003	FORK,GEARSHIFT	2		
2	EG001-54014	PIN,GEARSHIFT FORK GUIDE	2		
3	EG001-54013	CLIP,GEARSHIFT FORK GUIDE PIN	2		
4	EG003-540011	DRUM,GEARSHIFT	1		
5	EG001-54007	PLATE,GEARSHIFT DRUM STOPPER	1		
6	EG001-54017	PIN,GEARSHIFT DRUM	4		
7	EG001-54200	STOPPER,COMP.,GEARSHIFT	1		
8	EG001-540021	SPRING,GEARSHIFT DRUM STOPPER	1		
9	EG001-541202	SPINDLE,COMP.,GEARSHIFT	1		
10	EG001-54150	ARM COMP.,GEARSHIFT	1		
11	EG001-54024	SPRING,GEARSHIFT ARM	1		
12	EG001-54023	SPRING,GEARSHIFT RETURN	1		
13	EF001-54009	PIN,SHIFT RETURN SPRING	1		
14	W5312102	SCREW 6x16	1		
15	EG003-54008	WASHER COMP.	1		
16	EG003-54010	SPRING,CONTACT	1		
17	EG003-54009	CONTACT,NEUTRAL SWITCH	1		
18	EG001-54011	BOLT 6x16	1		
19	EG001-54012	ROLLER 4x10	1		
20	EG001-54018	ROLLER 3x8.5	2		
21	EF001-53009	OIL SEAL	1		



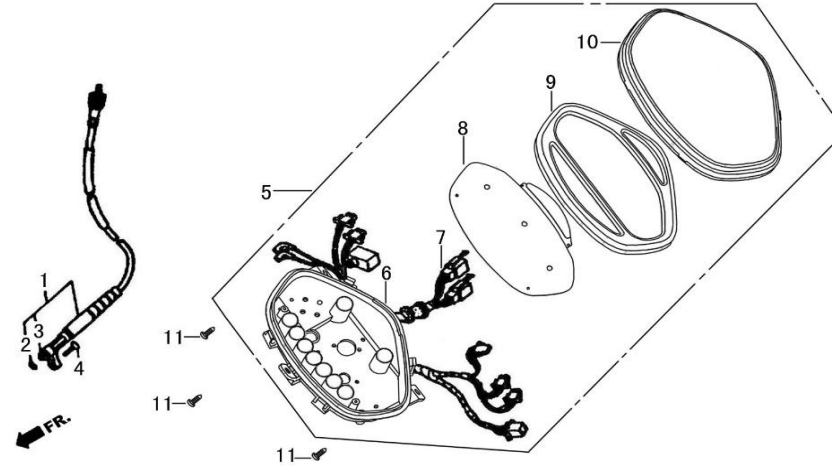
No	Part No	Part description	Q'ty	Notes	Frame No
1	EG001-57001	PINION,KICK, STARTER,22T	1		
2	EG001-57004	RATCHET,STARTING DRIVING	1		
3	EG001-57010	SPINDLE,KICK STARTING	1		
4	EG001-57008	RETAINER,KICK SPRING	1		
5	EG001-57005	SPRING,STARTING PINION FRICTION	1		
6	EG001-57007	SPRING,KICK STARTING	1		
7	EG001-57006	WASHER 17	1		
8	EG001-57002	WASHER,THRUST 20	1		
9	EG001-57003	WASHER 20	2		
10	EG001-57009	CIRCLIP EXTERNAL	1		
11	EG001-57	KICK STARTER	1		



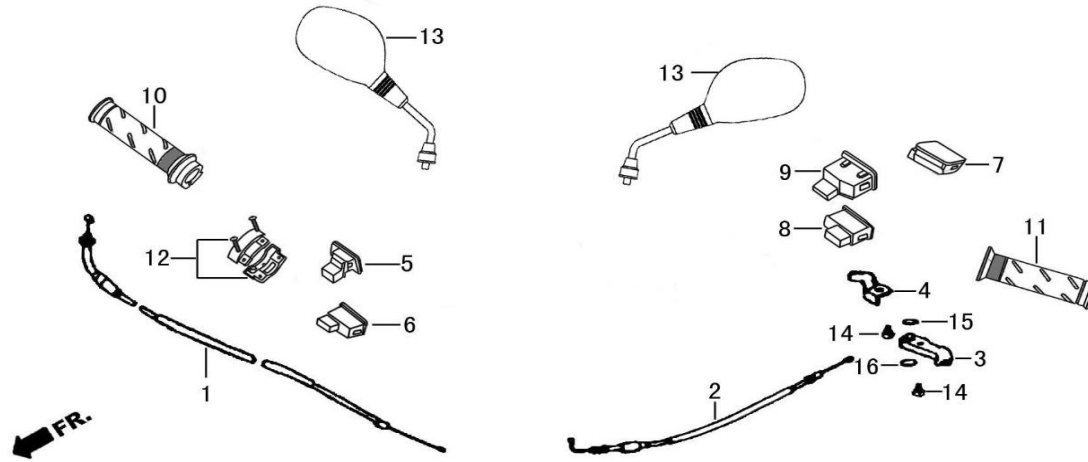
No	Part No	Part description	Q'ty	Notes	Frame No
1		GASKET SET	1		
2		NEEDLE SET, JET	1		
3		FLOAT SET	1		
4		TOP SET	1		
5		CHAMBER SET, FLOAT	1		
6		SCREW SET A	1		
7		VALVE SET, THROTTLE	1		
8		SCREW SET B	1		
9		GASKET SET B	1		
10	VH0211-58000B	CARBURETOR ASSY.	1		
11		CAP, CABLE SEALING	1		
12		CAP, CHOKE DUST	1		
13		VALVE COMP., FLOAT	1		
14		HOLDER, NEEDLE JET	1		
15		CAP, FUEL STRAINER	1		
16		SCREEN, FILTER	1		
17		TUBE, AIR VENT	1		
18		TUBE, OVER FLOW	1		
19		BODY SET, LOCK	1		
20		SCREW, PAN, 3×12	2		
21		SCREW-WASHER, 4×18	2		
22		WASHER, SPRING, 3	2		
23		CLIP TUBE B6.5	1		
24		JET. MAIN, 80#	1		
25		JET. SLOW, 35#	1		



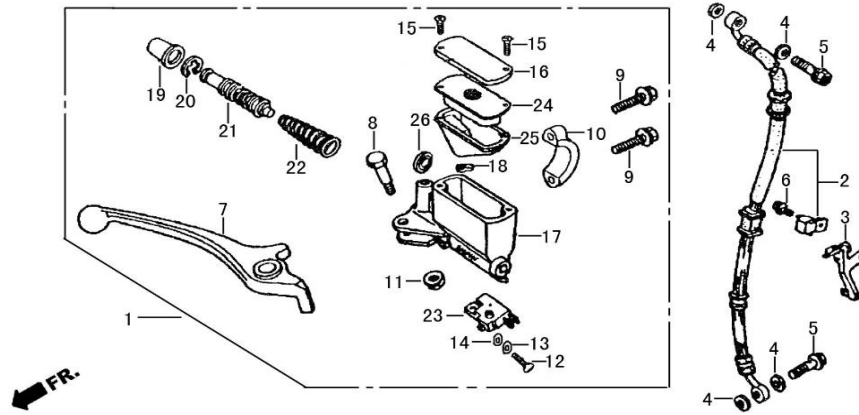
No	Part No	Part description	Q'ty	Notes	Frame No
1	VHK027-72000A	HEAD LIGHT	1		
2		LENS	1		
3		CASE, HEADLIGHT	1		
4		WIRE HARNESS, HEADLIGHT	1		
5		BULB, HEADLIGHT	1		
6		BULB, POSITION LIGHT	1		
7	VGA001-01022	WASHER, LOCKING 6	1		
8	W5663500	BOLT, FLANGE M4×10	1		



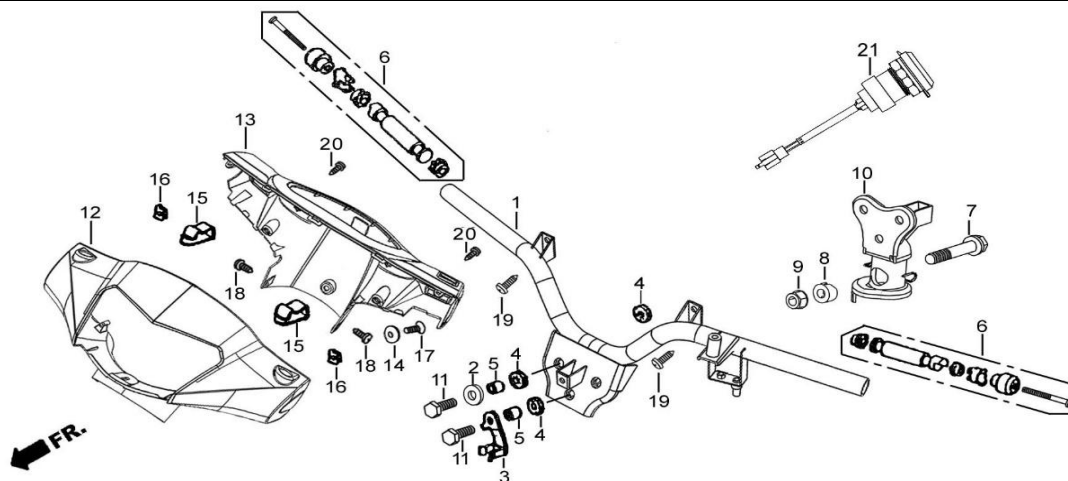
No	Part No	Part description	Q'ty	Notes	Frame No
1	VHK027-12800A-0060	SHAFT, METER DRIVEN	1		
2		O-RING	1		
3		CORE, CABLE	1		
4	W5316109	SCREW, 5x20	1		
5	VHK027-87000A	INSTRUMENT	1		
6		CASE, METER	1		
7		SUB HARNESS, METER	1		
8		DIAL, METER	1		
9		MIDDLE PIECES	1		
10		LENS, METER	1		
11		SCREW, 4.2x9	3		



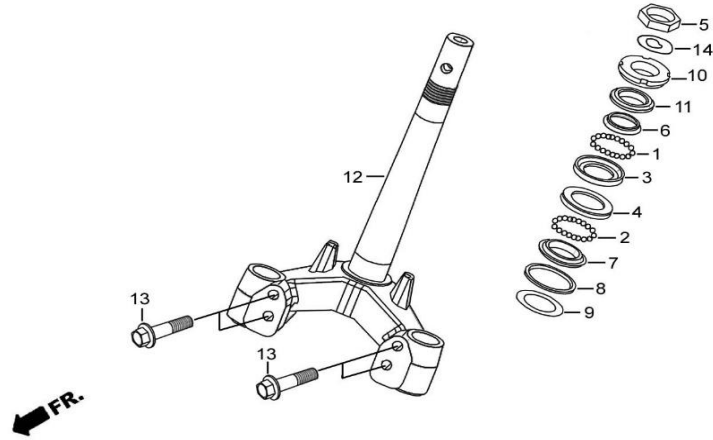
No	Part No	Part description	Q'ty	Notes	Frame No
1	VHK027-12500-0060	CABLE,THROTTLE	1		
2	VHK027-12400-0060	CABLE,CHOKE	1		
3	VHC997-01072	LEVER, CHOKE	1		
4	VHC997-01073	HOLDER, CHOKE	1		
5	VHC046-74004-0090	SWITCH, LIGHTING	1		
6	VHC046-74005A	BUTTON, STARTING	1		
7	VHC046-74001-0090	SWITCH, DIMMER	1		
8	VHC046-74003A	BUTTON, HORN	1		
9	VHC046-74002-0090	SWITCH, TURNING SIGNAL	1		
10	VGB001-11250-0050	RUBBER COMP,R.HANDLE	1		
11	VGB001-11201-0050	RUBBER,L.HANDLE	1		
12	VHC997-11400	HOLDER COMP.,THROTTLE	1		
13	VH0204-10-0052	MIRROR,L.BACK	1	SET	
14	W5313106	SCREW, 5x10	2		
15	VGB001-74003	WASHER	1		
16	W5365108	WASHER 5	1		



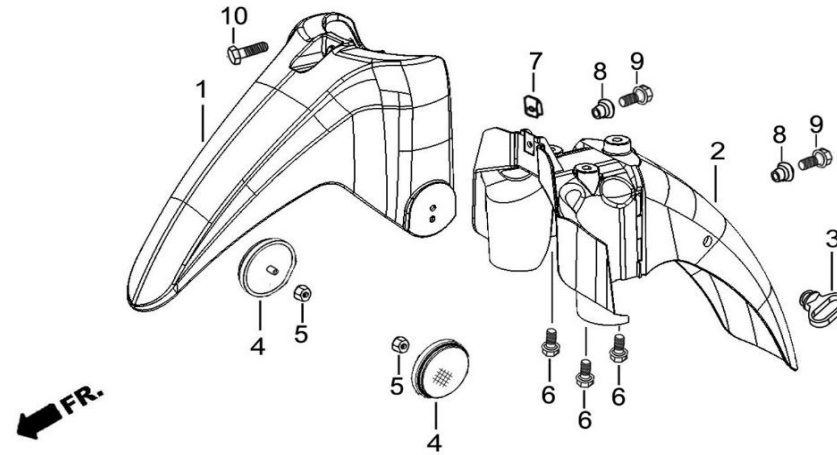
No	Part No	Part description	Q'ty	Notes	Frame No
1		PUMP COMP.,BRAKING	1		
2		PIPE COMP.,BRAKING	1		
3		CLIP COMP.	1		
4		RING, SEALING	4		
5		BOLT, OIL THRU, 10x1.25	2		
6	VHC997-18504	BOLT, FLANGE	1		
7		LEVER,BRAKING HANDLE	1		
8		BOLT,PIVOT	1		
9		BOLT,HALF COVER	2		
10		COVER,HALF	1		
11		NUT,SELF LOCK	1		
12		SCREW	1		
13		WASHER,4	1		
14		WASHER,SPRING 4	1		
15		SCREW, OIL CUP COVER M4x12	2		
16		CAP,OIL CUP	1		
17		BODY,PUMP	1		
18		O-RING	1		
19		COVER,DUST	1		
20		CIRCLIP	1		
21		PISTON,PUMP	1		
22		SPRING,RETURN	1		
23		SWITCH, BRAKING LIGHT	1		
24		GASKET, OIL CUP	1		
25		PAD, OIL CUP	1		
26		OIL WINDOW	1		
27	VHK027-19500A-2350	BRAKE, FR. DISK TYPE	1		



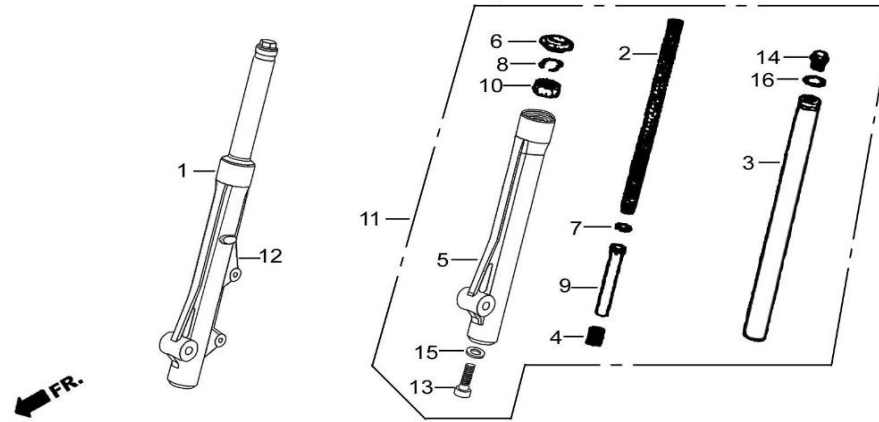
No	Part No	Part description	Q'ty	Notes	Frame No
1	VHK027-11100-0229	HANDLE PIPE COMP.	1		
2	VGB001-01108	WASHER	2		
3	VHK027-11110	CLIP COMP.,BRAKE CABLE	1		
4	VGB001-11001	RUBBER PAD	6		
5	VGB001-11003	BUSH	3		
6	VHC997-11500	END,HANDLE	2		
7	VGA001-01115	BOLT,FLANGE,10×50	1		
8	VGA001-01005	SLEEVE,SETTING	1		
9	VGA001-01114	NUT,LOCKING M10×1.25	1		
10	VHK027-11200	HOLDER COMP.,HANDLE	1		
11	W5324020	BOLT,8×25	3		
12	VHK027-17001A-**	COVER,HANDLE FR.	1		
13	VHK027-17002	COVER,HANDLE RR.	1		
14	VGB001-11002	WAHSER	1		
15	VHK027-04001	CLAMPER,FRONT HEADLIGHT	2		
16	VGA001-01121	NUT,CLAMP,M4	2		
17	VGA001-11002	SCREW,5×15.6	1		
18	NW5311314	sCREW, TAPPING ST4.2×16	2		
19	W5316202	SCREW M4×20	2		
20	TGA999-01106	SCREW, TAPPING ST4.2×18	2		
21	VB0028-98		1		



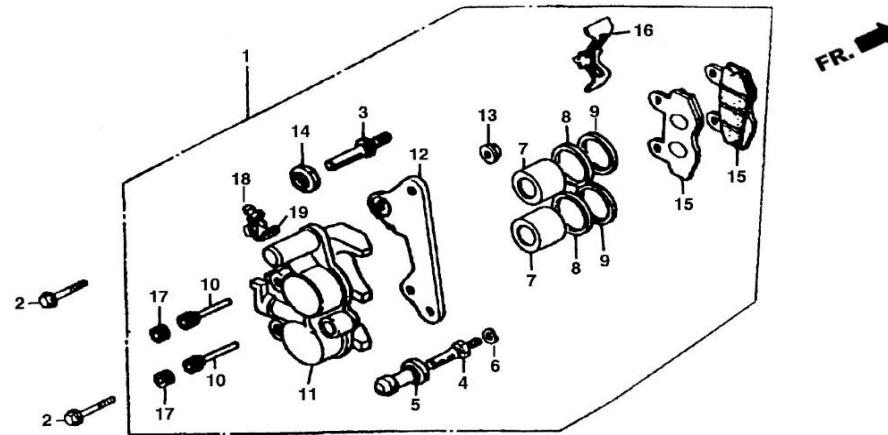
No	Part No	Part description	Q'ty	Notes	Frame No
1	VGA001-14300-0050	RETAINER COMP.	1		
2	VGA001-14400-0050	RETAINER COMP. A	1		
3	VGA001-14202-0051	SEAT,BALL UPPER	1		
4	VGA001-14203-0051	SEAT,BALL BOTTOM	1		
5	VGA001-14001	NUT,STEERING STEM LOCK	1		
6	VGA001-14201-0050	RACE,STEERING TOP CONE	1		
7		RACE,STEERING BOTTOM CONE	1		
8		DUST SEAL,STEERING STEM	1		
9		WASHER,DUST SEAL	1		
10	VGA001-14002	NUT,STEERING STEM TURN	1		
11		WASHER, STEERING STEM DUST	1		
12	VHC997-14100	STEM SUB ASSY., STEERING	1		
13		BOLT,FLANGE,10x45	4		
14	VHC997-14150	WASHER, LOOSE PROOF	1		



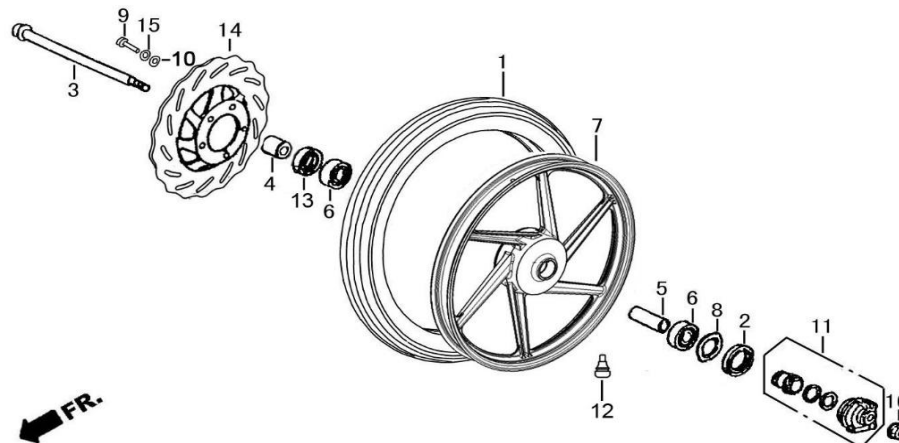
No	Part No	Part description	Q'ty	Notes	Frame No
1	VHK027-17201-**	FRONT, FR. MUDGUARD	1		
2	VHK027-17211	REAR, FR. MUDGUARD	1		
3	VGA001-01037A	CABLE RING	1		
4	VHK027-17160	REFLECTOR, REFLEX	2		
5	W5336502	NUT M6	2		
6	VGA001-01116	BOLT,FLANGE,6x17	3		
7	TGA999-01105	CLAMP NUT	1		
8	VGB001-01099	SLEEVE,BOLT	2		
9	W5326007	BOLT,6x18	2		
10	VHK001-01001	BOLT, FLANGE	1		



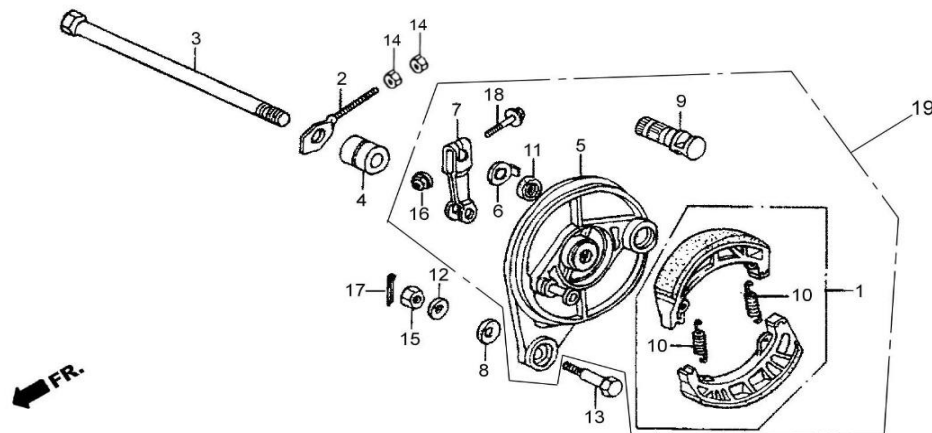
No	Part No	Part description	Q'ty	Notes	Frame No
1	VHK027-14400	FORK ASSY., R.FR.	1		
2		SPRING,FR.FORK	2		
3		PIPE COMP.,FR.FORK	2		
4		SPRING,DAMPING	2		
5		CASE,L.BOTTOM	1		
6		DUST SEAL	2		
7		RING PISTON	2		
8		RING,OIL SEAL STOPPER	2		
9		BAR,PISTON	2		
10		OIL SEAL,24.5x37x10.5	2		
11	VHK027-14300	FORK ASSY., L.FR.	1		
12		CASE,L.BOTTOM	1		
13		SCREW,8x28	2		
14		PLUG,THREAD	2		
15		SEALS WASHER	2		
16		O-RING	2		



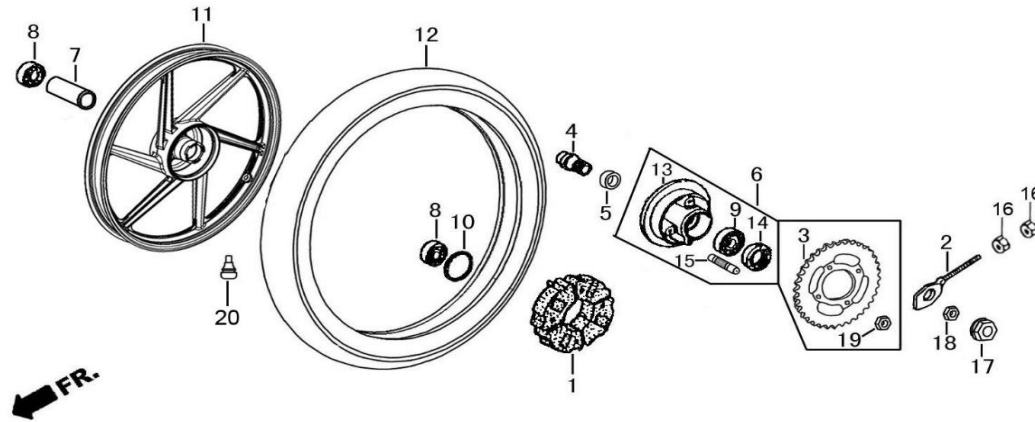
No	Part No	Part description	Q'ty	Notes	Frame No
1	VGB998-184101-PK50	CALIPER,COMP.BRAKE	1	RED	
2	VHC997-18503	BOLT,FLANGE 8x24	2		
3		SHAFT,MAIN SLIDE	1		
4		SHAFT,SECOND SLIDE	1		
5		COVER,SECOND SLIDE SHAFT RUBBER	1		
6		WASHER,SPRING	1		
7		PISTON,CALIPER	2		
8		RING,PUST	2		
9		GASKET,SQUARE	2		
10		ROD,GUIDE	2		
11		BODY,CALISPER	1		
12		STAND,MOUNTING	1		
13		NUT,SELF LOCK	1		
14		COVER,RUBBER	1		
15		DISC,BRAKING	2		
16		SPRING,BRAKING DISC	1		
17		PLUG,SCREW	2		
18		COCK,RELIEF	1		
19		COVER,RELIEF COCK DUST	2		



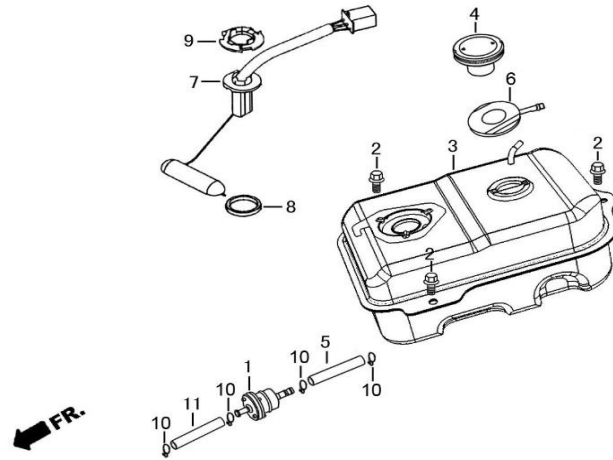
No	Part No	Part description	Q'ty	Notes	Frame No
1	VHC997-18200D	TUBE,FR.WHEEL TYRE	1		
2	VHC997-18009	SEAL,A OIL	1		
3	VHC997-180031	AXLE,FR.WHEEL	1		
4	VH0365-18010	COLLAR,FR.WHEEL SIDE	1		
5	VH0365-18020	COLLAR,DISTANCE	1		
6	W5900061	BEARING 6301-2RS	2		
7	VHC035-18001D-PV	RIM,FR.WHEEL	1		
8	VHC997-18007	PLATE DRIVING	1		
9		BOLT, M6x22	5		
10		WASHER 6	5		
11	VHK027-18300-EL	SPEED METER SET	1		
12	ZI0015-18210		1		
13	VGA001-18008	OIL SEAL 21x37x7	1		
14	VIB995-18501-PK50	DISC,FR.BRAKING	1		
15		WASHER 6, SPRING	5		
16	VGA001-18002	NUT,LOCKING	1		



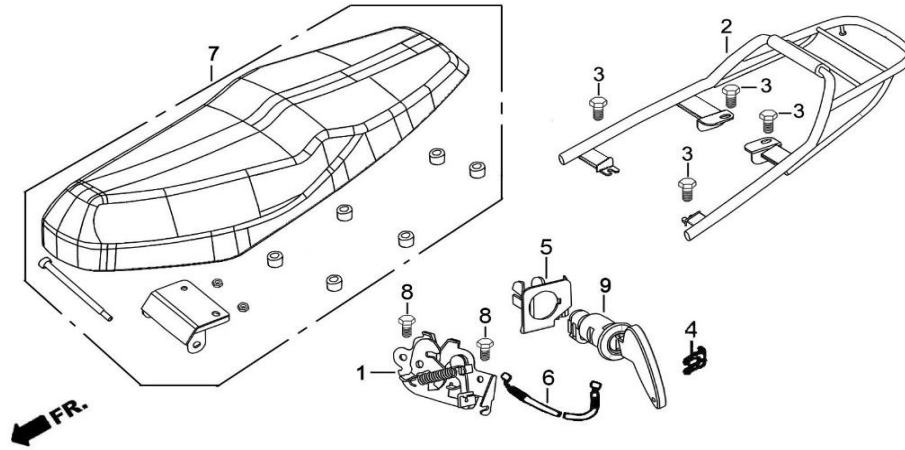
No	Part No	Part description	Q'ty	Notes	Frame No
1		SHOE SET,BRAKE	2		
2	VHC997-28670-0050	ADJUSTER CHAIN	1		
3	VHC997-28003	AXLE,FR.WHEEL	1		
4	VHC035-28009	COLLAR,RR.BRAKE PANEL SIDE	1		
5		PANEL COMP.,RR.BRAKE	1		
6		INDICATOR,RR.BRAKING	1		
7		ARM,RR.BRAKE	1		
8	VGA001-01042	PAD, RUBBER	1		
9		CAM, RR.BRAKE	1		
10		SPRING,BRAKE SHOE	2		
11		DUST SEAL	1		
12	W5365104	WASHER 8	1		
13	ZDG001-28008	BOLT,BRAKE STOPPER	1		
14		NUT 6	2		
15	W5336205	NUT 8	1		
16		NUT,FLANGE,6	1		
17	W5338103	PIN,SPLIT 2.0×20	1		
18		BOLT FLANGE 6×32	1		
19	VGA001-28400-EL	REAR BRAKE	1		



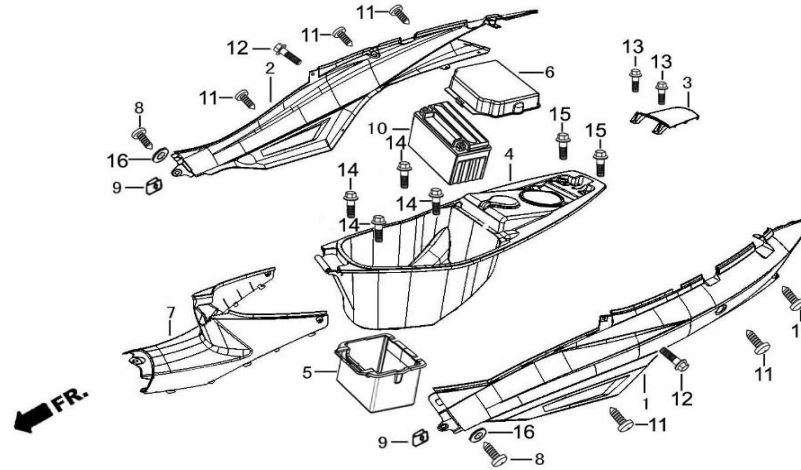
No	Part No	Part description	Q'ty	Notes	Frame No
1	VHC997-28007B	BLOCK,DAMPER	4		
2	VHC997-28650-0050	ADJUSTER,L.CHAIN	1		
3		SPROCKET,REAR	1		
4	VHC035-28008	SLEEVE,RR.WHEEL AXLE	1		
5	VGA001-28009	COLLAR,RR.WHEEL SIDE	1		
6	VI0007-28300	DAMPER COMP.	1		
7	VHC997-28013	COLLAR, DISTANCE	1		
8	W5900002	BEARING,6301-RS	2		
9		BEARING,6203-RS	1		
10	VGA001-28008	O-RING 40.5×3	1		
11	VGA021-28001C-PV	RIM, RR.WHEEL	1		
12	VHC997-28200D	TIRE,RR.WHEEL	1		
13		DAMPER	1		
14		OIL SEAL, 27×40×6	1		
15		BOLT,STUD	4		
16		NUT, 6	2		
17	VGA001-18002	NUT, LOCKING 12×1.25	1		
18	VGA001-28002	NUT	1		
19		NUT M8	4		
20	ZI0015-18210		1		



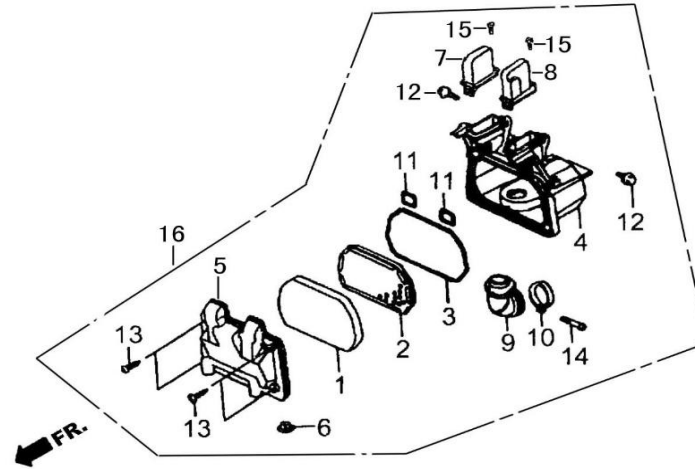
No	Part No	Part description	Q'ty	Notes	Frame No
1	VGA001-01035-0052	FILTER COMP,FUEL	1		
2	W5326003	BOLT, 6x12	3		
3	VHK001-361001-0229	TANK FUEL	1		
4	VHK027-36300B	CAP,TANK	1		
5	VHK027-36010-0050	PIPE,FUEL SUPPLY	1		
6	VHK027-36801		1		
7	VHK001-86000C	FUEL UNIT	1		
8	VGA001-01034	PACKING, BASE	1		
9	VGA001-01063	RETAINER, FUEL UNIT	1		
10	VGA001-01014	CLAMPER, FUEL PIPE	4		
11	VHK027-36021	PIPE,FUEL SUPPLY	1		



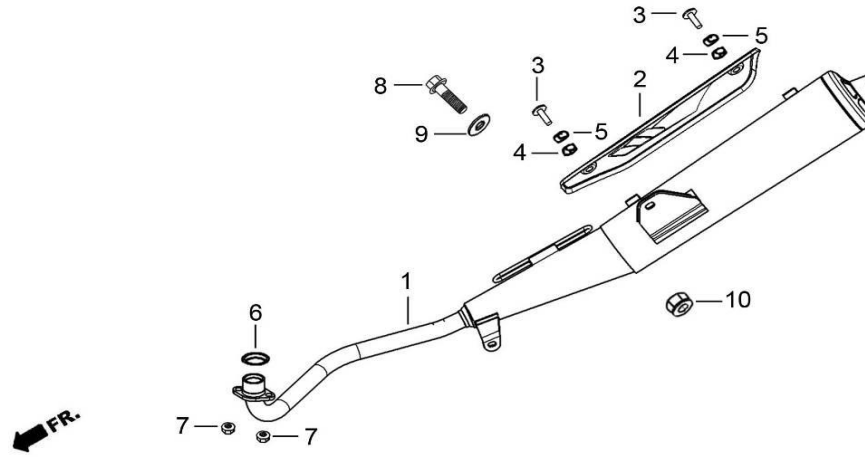
No	Part No	Part description	Q'ty	Notes	Frame No
1	VHK027-02100	HOLDER, SEAT LOCK	1		
2	VHK027-04400	CARRIER, LITTLE	1		
3	W5326022	BOLT, 8×16	4		
4	VGA001-01016	CLIP, SPRING	1		
5	VHK027-73401	HOLDER, SEAT LOCK CABLE	1		
6	VHK027-12600-0060	CABLE, SEAT LOCK	1		
7	VHK027-33000C	SEAT	1		
8	W5326003	BOLT, 6×12	2		
9		CORE UNIT, SEAT LOCK	1		



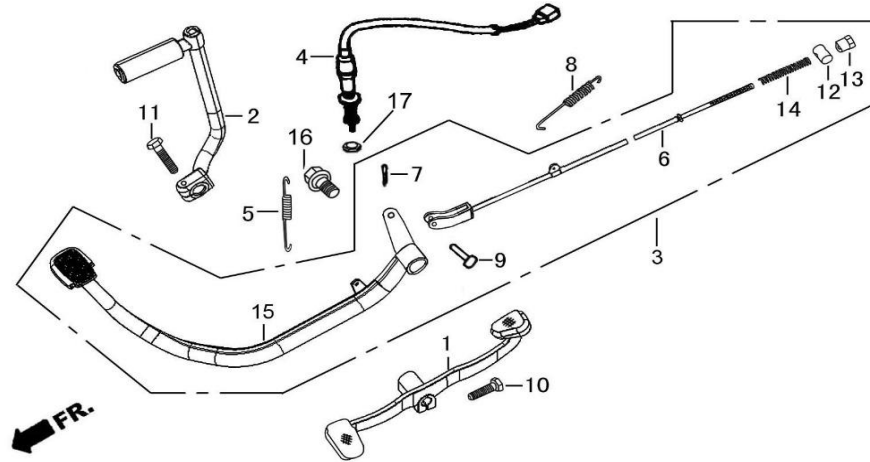
No	Part No	Part description	Q'ty	Notes	Frame No
1	VHK027-17801-**-**	COVER,L.BODY	1		
2	VHK027-17811-**-**	COVER,R.BODY	1		
3	VHK027-17831-**-**	CENTER,BODY MIDDLE	1		
4	VHK027-17501A	MET-IN BOX	1		
5	VHK027-17401	BOX,BATTERY	1		
6	VHK027-17402	COVER,BATTERY BOX	1		
7	VHK027-17842	REAR, MAIN PIPE COVER	1		
8	NW5311310	SCREW, TAPPING ST4.2×12	2		
9	TG0003-17905A	CLAMPER,SPRING	2		
10	VGA001-78000D	BATTERY	1		
11	TGA999-01106	SCREW, TAPPING ST4.2×18	6		
12	VHK001-01001	BOLT,FLANGE	2		
13	W5313118	BOLT, 6×12	2		
14	NTIP001-02233	BOLT, 6×18	4		
15	NTIP001-02233	BOLT, 6×18	2		
16	W5365104	WASHER	2		



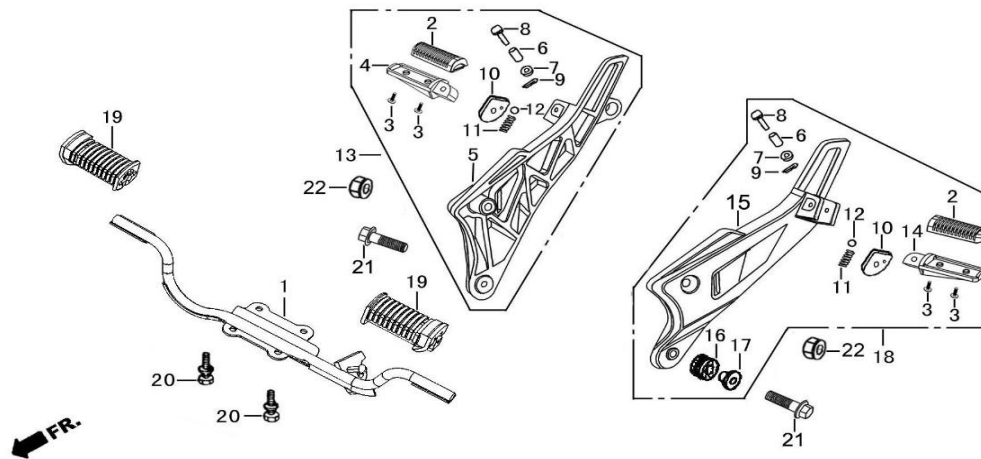
No	Part No	Part description	Q'ty	Notes	Frame No
1		ELEMENT,AIR CLEANER	1		
2		TRAP COMP.,FLAME	1		
3		SEAL,AIR CLEANER COVER	1		
4		SEAL,AIR CLEANER CASE	2		
5		CASE,AIR CLEANER	1		
6		COVER,AIR CLEANER CASE	1		
7		PLUG,AIR CLEANER DRAIN	2		
8		CAP,R.DUCT	1		
9		CAP,L.DUCT	1		
10		TUBE,AIR CLEANER CONNECTING	1		
11		SEAL,AIR CLEANER CONNECTING TUBE	1		
12	VGA001-01111	BOLT,FLANGE 6x12	2		
13		SCREW,TAPPING ST5.5x19-F	4		
14		BOLT HEX 5x20	1		
15		SCREW,TAPPING ST4.2x13-C	2		
16	VH0217-59	AIR CLEANER	1		



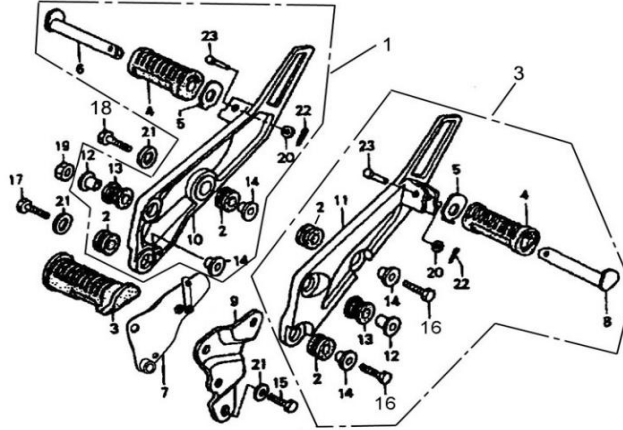
No	Part No	Part description	Q'ty	Notes	Frame No
1	VI0152-62	MUFFLER COMP.,EXHAUST	1		
2	VHK027-62190A-0021	PROTECT COVER,EXHANST PIPE	1		
3	VH0070-01001	SCREW 6×12	2		
4	VG0041-62005A	RUBBER,COVER PROTECT	2		
5	VG0041-62006A	BUSH	2		
6	VGA001-05301	GASKET,EXHAUST PIPE	1		
7	W5336205	NUT HEX 8	2		
8	W5326034	BOLT FLANGE 8×45	1		
9	W5365104	WASHER 8	1		
10	W5336503	NUT M8	1		



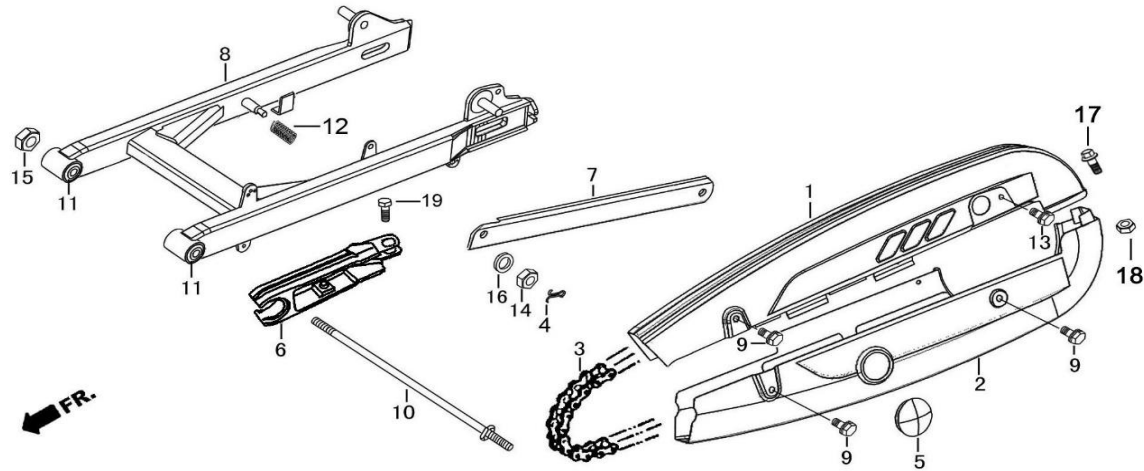
No	Part No	Part description	Q'ty	Notes	Frame No
1	VH0075-61	PEDAL,GEAR SHIFT	1		
2	VBB009-05400	ARM,KICK STARTER	1		
3	VH0587-25	ARM COMP.,BRAKING	1		
4	VHK027-76200A	SWITCH, REAR BRAKE	1		
5	VIK002-01012	SPRING,BRAKE SWITCH	1		
6		ROD RR.BRAKE PULL	1		
7		PIN,SPLIT,2×16	1		
8	VGB001-01016	SPRING	1		
9		PIN, CONNECTING	1		
10	W5324007	BOLT,HEX,6×20	1		
11	W5324009	BOLT,HEX,6×22	1		
12		PIN,RR.BRAKING ROD	1		
13		NUT,RR.BRAKING ROD	1		
14		SPRING,RR.,BRAKING ROD	1		
15		ARM COMP.,BRAKING	1		
16	W5326021	BOLT 8×14	1		
17	VHK027-76201		1		



No	Part No	Part description	Q'ty	Notes	Frame No
1	VHC997-24170C	BAR,COMP.,STEP	1		
2	VHK027-04150	PILLION STEP RUBBER COMP.	2		
3	W5313133	SCREW, M5×14	4		
4	VHK027-04201-16	STEP, R. PILLION	1		
5	VIB031-26401A-16	BRACKET, PILLION STEP R.	1		
6	VHK027-04102	COLLAR	2		
7	W5366104	WASHER 6	2		
8	VGA001-26008	PIN,PILLION STEP	2		
9	W5338101	PIN, SPLIT,1.6×16	2		
10	VHK027-041031	PIECE,STOP	2		
11	VHK027-04104	SPRING	2		
12	VHK027-04105	BALL,STEEL	2		
13	VHK027-04200A-0050	STEP COMP.,R. PILLION	1		
14	VHK027-04101-16	STEP, L. PILLION	1		
15	VIB031-26301A-16	BRACKET, PILLION STEP L.	1		
16	VIB031-26402	CUSHION PAD	1		
17	VIB031-26403	SLEEVE	1		
18	VHK027-04100A-0050	STEP COMP.,L. PILLION	1		
19	VGA001-24101	RUBBER, STEP	2		
20	VGB001-01122	BOLT,WASHER M8*16	4		
21	W5326025	BOLT,HEX,8×22	2		
22	W5336504	LOCKING NUT M10×1.25	2		



No	Part No	Part description	Q'ty	Notes	Frame No
1	VHK027-24100A-0060	STAND COMP.,MAIN	1		
2	VHK027-24001	PIVOT,MAIN STAND	1		
3	VGB001-01061	PLATE,MAIN STAND HOOK	1		
4	VGA001-01031	RUBBER,STOP	1		
5	VGA001-01011	SPRING,MAIN STAND	1		
6	W5338109	PIN,SPLIT,3.0×26	1		
7	W5336301	NUT,10×1.25	1		
8	ZFA001-24103-02	PIVOT,SIDE STAND	1		
9	VHC997-24180	STAND COMP.,SIDE	1		
10	ZDG001-24102	SPRING, SIDE STAND	1		

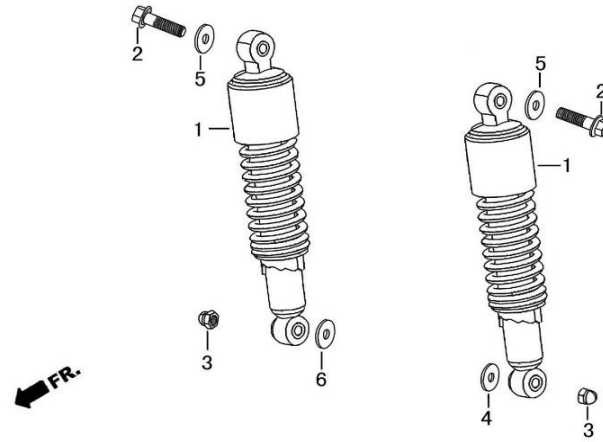


No	Part No	Part description	Q'ty	Notes	Frame No
1	VHK001-22100B-**	CASE COMP., UPPER HALF CHAIN	1		
2	VHK001-222001-**	CASE COMP., LOWER HALF CHAIN	1		
3	VIK002-01300	CHAIN	1		
4	W5338102	COTTER,2x16	1		
5	ZDG001-17005	CAP,PEEP HOLE	1		
6	VHK001-26002	PROTECTOR,CHAIN	1		
7	ZDG001-26003	BAR,REAR BRAKE STOP	1		
8	VHK027-26100A-**	FORK,REAR	1		
9	W5328202	BOLT,6x8	3		
10	VHK027-26001	PIVOT,RR.FORK	1		
11	ZDG001-26200	SLEEVE	2		
12	VGA001-010151		1		
13	W5328203	BOLT,6x10	1		
14	W5336205	NUT,8	1		
15	VI0106-01101	NUT,HEX,10x1.25	1		
16	VGA001-01071	WASHER	1		
17	NW5321012	BOLT, FLANGE 6x30	1		
18	NW5331308	NUT, FLANGE M6	1		
19	VGA001-01116	BOLT, FLANGE, 6x17	1		

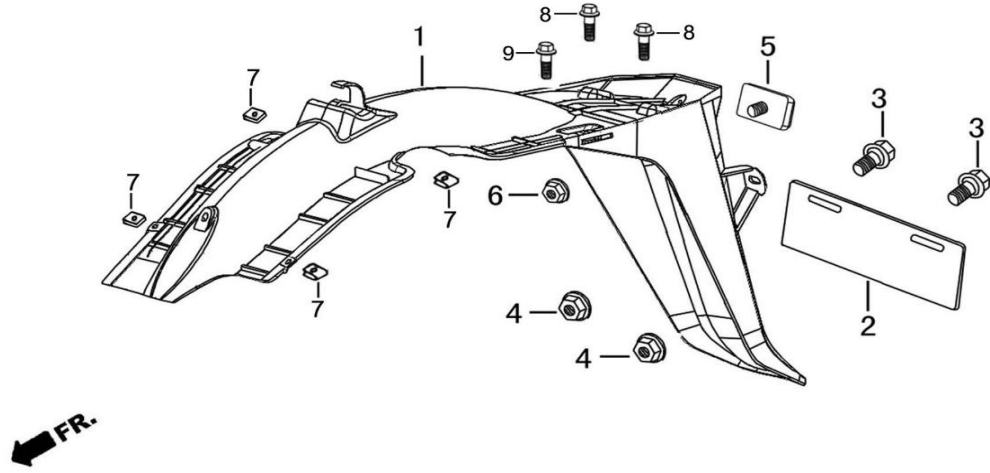
F-22

REAR CUSHION

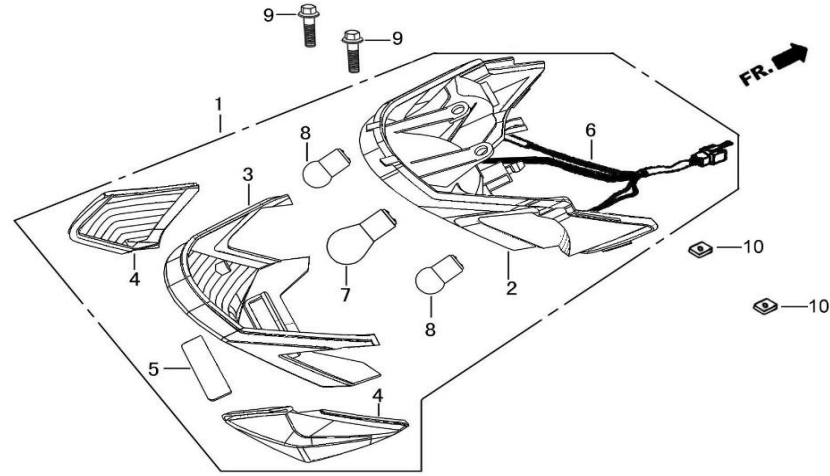
NC125 SPACE



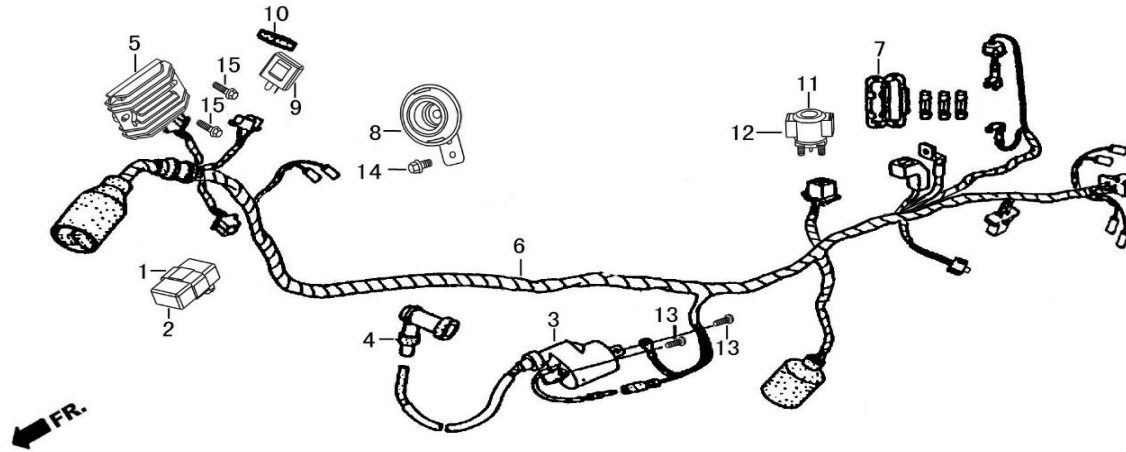
No	Part No	Part description	Q'ty	Notes	Frame No
1	VHK027-30-23	REAR CUSHION	1	SET	
2	VHK001-01004A	BOLT, M10×1.25×40	2		
3	ZDG001-01106	NUT,CAP 10×1.25	2		
4	ZJH001-01105	WASHER,REAR CUSHION	3		
5	W5365106	WASHER 10	2		
6	VHK027-02001	WASHER 11×25×5.5	1		



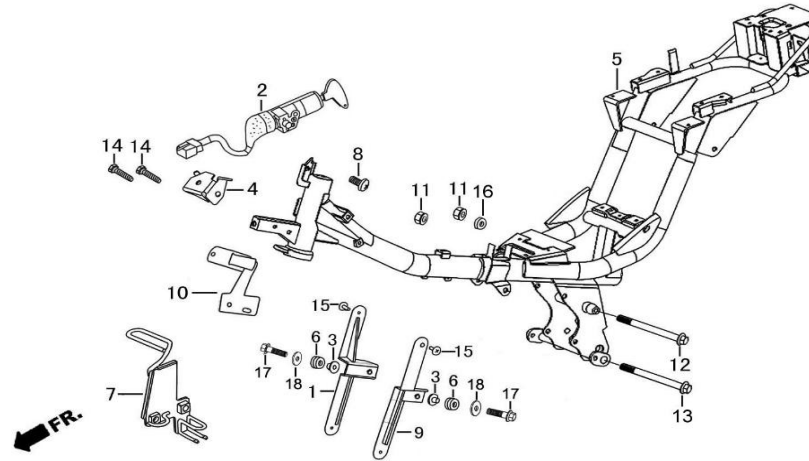
No	Part No	Part description	Q'ty	Notes	Frame No
1	VHK027-17601	MUDGUARD,REAR	1		
2	W8019744	LABEL,REAR	1		
3	W5326003	BOLT,6×12	2		
4	W5336502	NUT,6	2		
5	VGB059-17170-0050	REFLECTOR COMP.,RR.	1		
6	W5336501	NUT 5	1		
7	TG0003-17905A	CLIP,SPRING	4		
8	VGA001-01116	BOLT,6×17	2		
9	W5326003	BOLT,6×12	1		



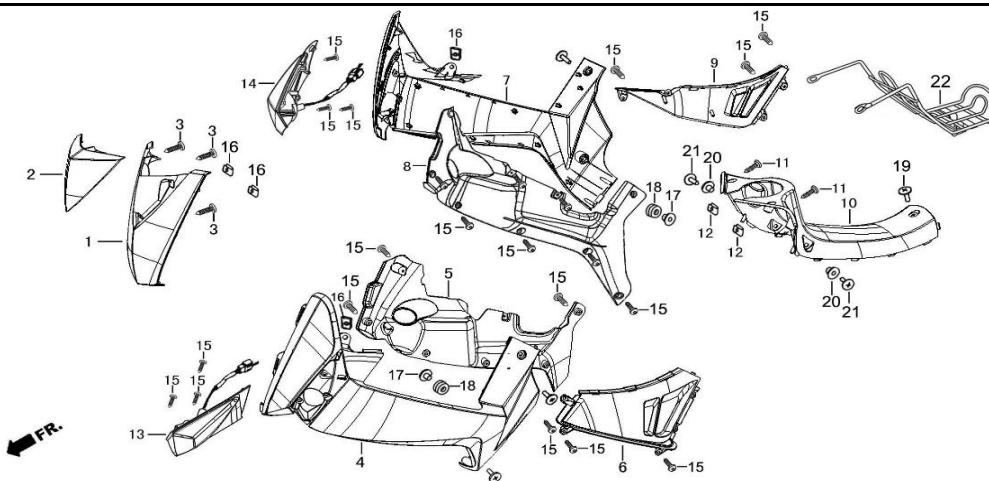
No	Part No	Part description	Q'ty	Notes	Frame No
1	VHK027-88	TAILLIGHT	1		
2		LENS, TAILLIGHT	1		
3		COVER, TAILLIGHT	1		
4		COVER, RR. WINKER	2		
5		LENS, REAR LICENCE	1		
6		HARNESS, WIRE	1		
7		BULB, TAILLIGHT/BRAKING LIGHT 21W/5W	1		
8		BULB, TURNING LIGHT 12V10W	2		
9	W5326010	BOLT M6x25	2		
10	VGB001-01110		2		



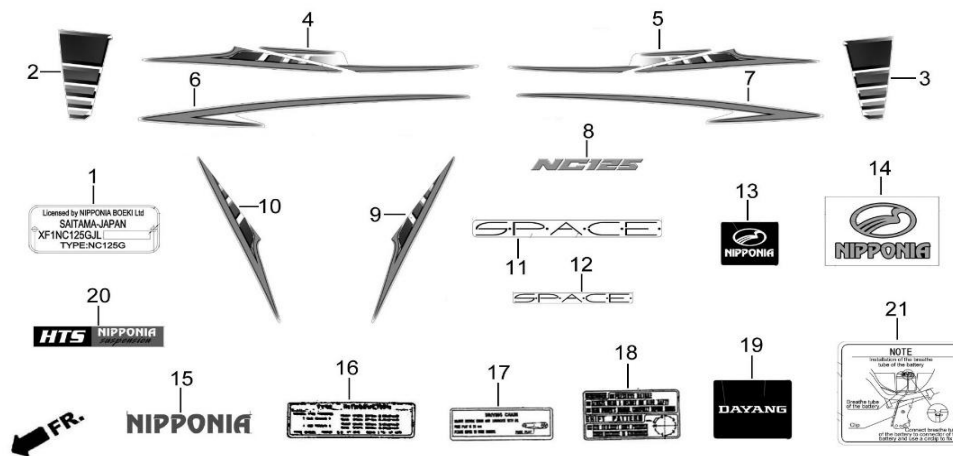
No	Part No	Part description	Q'ty	Notes	Frame No
1		SUSPEND SLEEVE	1		
2	VI0001-82-0050	DCDI UNIT	1		
3	VGB001-81	COIL,IGNITION	1		
4		SUPPRESSOR,NOISE	1		
5	ZJH001-850001	RECTIFIER,REGULATOR	1		
6	VHK027-77000F	HARNESS,WIRE	1		
7		FUSE CASE	3		
8	ZF0014-70	HORN	1		
9	VGA001-790003	RELAY COMP.,FLASH	1		
10		SUSPEND SLEEVE,FLASH RELAY	1		
11	VHC080-80	RELAY,STARTING	1		
12		HANGER,STARTING REALY	1		
13	W5313109	SCREW,5×20	2		
14	W5328203	BOLT,6×10	1		
15	W5326008	BOLT,6×20	2		



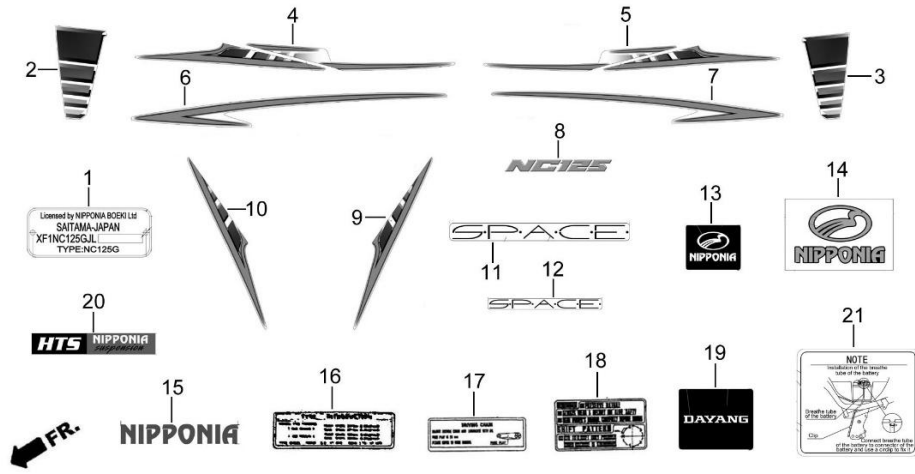
No	Part No	Part description	Q'ty	Notes	Frame No
1	VH0585-04920	BRKT COMP.,R. SHIELD	1		
2	VHK027-73000A	IGNITION SWITCH	1		
3	VH0585-01400A	COLLAR, FRONT COVER	2		
4	VHC997-01067	HOLDER COMP.,HORN	1		
5	VH0587-37-0229	BODY COMP.,FRAME	1		
6	VHK027-04915	COLLAR,L SHIELD BRKT COMP.	2		
7	VHC997-01066	HOLDER,CLIP	1		
8	ZDG001-01104	SCREW,SELF-LOCKING 6×12	2		
9	VH0585-04910	BRKT COMP.,L. SHIELD	1		
10	VHK027-02700A	BRACKET, ELECTRICAL DEVICE	1		
11	W5336205	NUT,M8	2		
12	ZDG001-01101	FIXING BOLT,ENGINE	1		
13	VGB001-01102		1		
14	W5326031	BOLT,8×40	2		
15	VGA001-011102-0060	SCREW,SOCKET M6×16	2		
16	W5361103		1		
17	W5323003	BOLT,FLANGE 6×20	2		
18	W5365102	WASHER 6	2		



No	Part No	Part description	Q'ty	Notes	Frame No
1	VHK027-17921-**-**	COVER,FR.	1		
2	VHK027-17922-**-**	COVER,FR.COVER ORNAMENTAL	1		
3	W5314101	SCREW,TAPPING 3.9x12	3		
4	VHK027-17901-**-**	SHIELD BODY, LEFT	1		
5	VHK027-17902	INNER BODY, L.SHIELD BODY	1		
6	VHK027-17903-**-**	GRID, LEFT	1		
7	VHK027-17911-**-**	SHIELD BODY, RIGHT	1		
8	VHK027-17912	INNER BODY, R.SHIELD BODY	1		
9	VHK027-17913-**-**	GRID, RIGHT	1		
10	VHK027-17841	FRONT, MAIN PIPE COVER	1		
11	TGA999-01106	SCREW,TAPPING ST4. 2x18	2		
12	TG0003-17905A	CLIP, SPRING	2		
13	VHK027-71150	LIGHT,FR. L. TURNING	1		
14	VHK027-71170	LIGHT,FR. R. TURNING	1		
15	W5314101	SCREW,TAPPING 3.9x12	19		
16	TG0003-17905A	CLIP,SPRING	4		
17	VHC997-01068	COLLAR,FRONT COVER	2		
18	VHC997-01065	RUBBER,FRONT COVER	2		
19	VGA001-011102-0060	SCREW,SOCKET M6x17	1		
20	VGB001-01098	COLLAR,BOLT	2		
21	VHB001-011042-0060	SCREW,SOCKET M6x22	2		
22	VHK027-04800		1		



No	Part No	Part description	Q'ty	Notes	Frame No
1	VI0152-39001A		1		
2	VI0152-39002-**		1	BLACK/WHITE	
2-1	VI0152-39002A-**		1	RED/BLUE	
3	VI0152-39003-**		1	BLACK/WHITE	
3-1	VI0152-39003A-**		1	RED/BLUE	
4	VI0152-39004-**		1	BLACK/WHITE	
4-1	VI0152-39004A-**		1	RED/BLUE	
5	VI0152-39005-**		1	BLACK/WHITE	
5-1	VI0152-39005A-**		1	RED/BLUE	
6	VI0152-39006-**		1	BLACK/WHITE	
6-1	VI0152-39006A-**		1	RED/BLUE	
7	VI0152-39007-**		1	BLACK/WHITE	
7-1	VI0152-39007A-**		1	RED/BLUE	
8	VI0125-39002		2		
9	VI0152-39009-**		1	BLACK/WHITE	
9-1	VI0152-39009A-**		1	RED/BLUE	
10	VI0152-39010-**		1	BLACK/WHITE	
10-1	VI0152-39010A-**		1	RED/BLUE	
11	VI0152-39011-**		2		
12	VI0152-39012-**		2		
13	VI0152-39013		1		
14	VHB041-39024E		1		
15	VH0655-39011		2		
16	VGA001-390042		1		
17	VGA001-390055		1		
18	VGA001-390131		1		
19	VH0223-39004		1		



No	Part No	Part description	Q'ty	Notes	Frame No
20	VIB029-39007		2		
21	VH0223-39005		1		