



NIPPONIA

LEAD150_v3

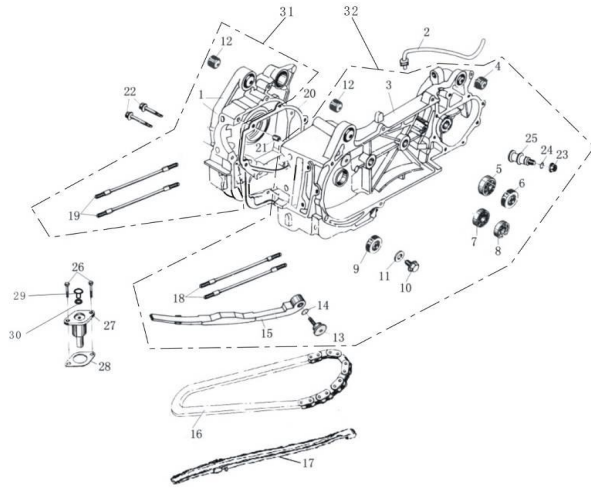


- Gris
- Negro (perla)
- Blanco (perla)
- Rojo

SPARE PARTS CATALOGUE

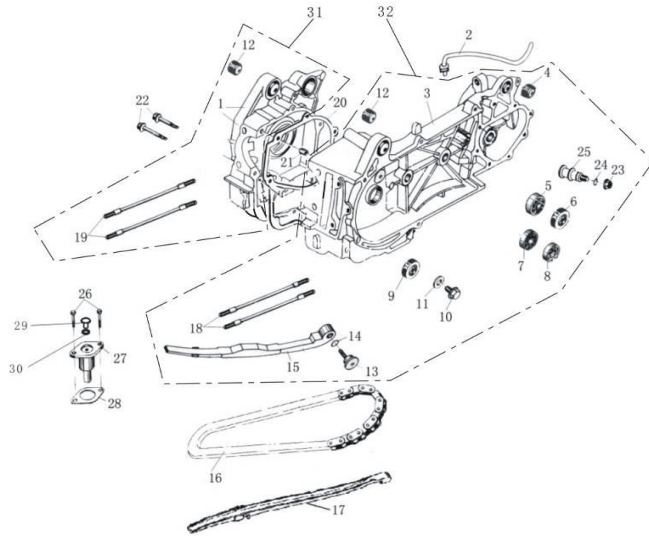
version: 25.11

E1	Crankcase Assembly	LEAD150
----	---------------------------	----------------



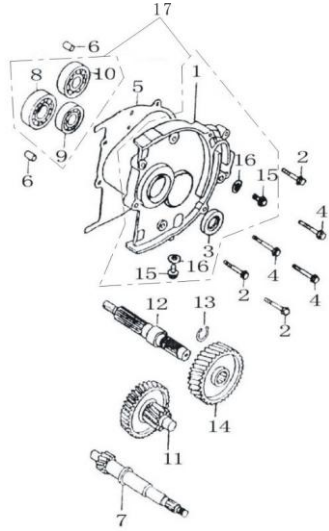
No.	Part Number	Description	Q'ty	Notes	Frame No.
1	2.20.05.03.02000	CRANKCASE, R.	1		
2	1.20.04.01.12000	TUBE, BREATH COMP.	1		
3	2.20.04.03.07000	CRANKCASE ASSY., L.	1		
4	1.20.04.01.08000	BUSH, REAR RUBBER	2		
5	1.00.01.6004-2RS	BEARING, 6004-2RS	1		
6	1.20.04.01.10000	OIL SEAL, OUTPUT SHAFT, 27X42X7	1		
7	1.00.01.6301	BEARING, 6301	1		
8	1.00.01.6002	BEARING, 6002	1		
9	1.20.04.01.13000	OIL SEAL, CRANKSHAFT, 9.8X30X5	1		
10	1.20.04.01.14000	BOLT, DRAIN, 12X1.5X14	1		
11	1.20.04.01.03000	WASHER, 12x24	1		
12	1.20.04.01.09000	BUSH, FRONT RUBBER	2		
13	1.20.13.01.01000	SCREW, CAM CHAIN TENSIONER	1		
14	1.20.13.01.02000	O-RING, 16X1.5	1		
15	1.20.13.01.05000	TENSIONER, CAM CHAIN	1		
16	1.20.13.01.04000	CHAIN, CAM	1		
17	1.20.13.01.06000	GUIDE COMP., CAM CHAIN	1		
18	1.20.04.01.04000	BOLT, STUB, M8X195.5	2		
19	1.20.05.01.01000	BOLT, STUB, M8X187.5	2		
20	1.20.04.01.05000	GASKET, R. CRANKCASE	1		
21	1.20.04.01.01000	PIN, DOWEL, Ø8X14	2		
22	1.05.01.09.0650	BOLT, M6X50	2		
23	1.05.04.01.0800	NUT, SM8	1		
24	1.20.04.01.11000	O-RING, 7.5X1.5	1		

E1	Crankcase Assembly	LEAD150
----	---------------------------	----------------



No.	Part Number	Description	Q'ty	Notes	Frame No.
25	1.20.04.01.02000	PIN, BRAKE	1		
26	1.05.01.09.0622	BOLT, M6X22	2		
27	1.20.13.01.07000	TENSIONER COMP.	1		
28	1.20.13.01.03000	GASKET, TENSIONER	1		
29	1.20.13.01.08000	SCREW, FLAT HEAD	1		
30	1.20.13.01.09000	O-RING, 9.5X1.5	1		
31	2.20.05.03.99000	R. CRANKCASE ASSY.	1		
32	2.20.04.03.99000	L. CRANKCASE ASSY.	1		

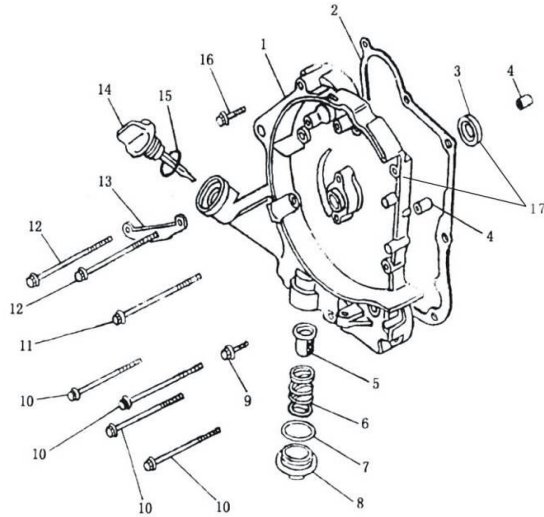
E2	Gear Box Cover Assembly	LEAD150
----	-------------------------	---------



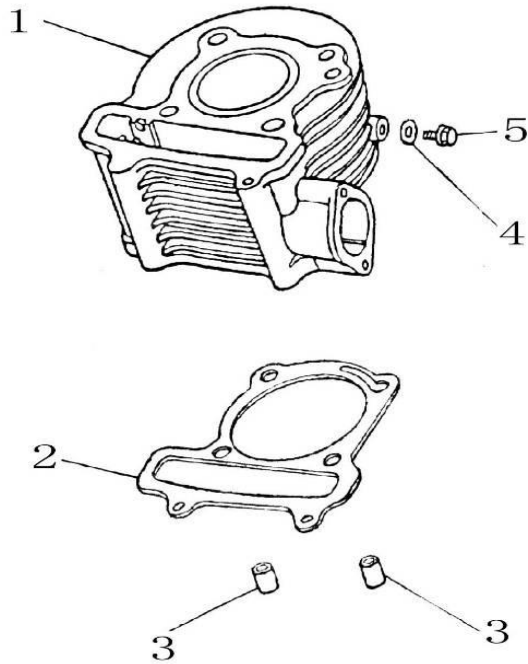
No.	Part Number	Description	Q'ty	Notes	Frame No.
1	2.20.20.01.01000	COVER, GEAR BOX	1		
2	1.05.01.09.0628	BOLT, M6X28	3		
3	1.20.20.01.08000	OIL SEAL, INPUT SHAFT, 20X32X6	1		
4	1.05.01.09.0635	BOLT, M6X35	3		
5	1.20.20.01.06000	GASKET, GEAR BOX COVER	1		
6	1.20.04.01.01000	PIN, DOWEL, Ø8x14	2		
7	1.20.20.01.02000	INPUT SHAFT, GEAR BOX	1		
8	1.00.01.6204	BEARING, 6204	1		
9	1.00.01.6202	BEARING, 6202	1		
10	1.00.01.6203	BEARING, 6203	1		
11	1.20.20.01.09000	COUNTER SHAFT COMP.	1		
12	1.20.20.01.05000	OUTPUT SHAFT, GEAR BOX (203.5)	1		
13	1.05.06.02.2000	CIRCLIP, SHAFT, 20	1		
14	1.20.20.01.03000	OUTPUT GEAR	1		
15	1.05.01.09.0812	BOLT, M8X12	2		
16	1.20.20.01.07000	WASHER	2		
17	2.20.20.01.99000	COVER ASSY., GEAR BOX	1		

E3	Left Crankcase Cover Assembly		LEAD150		
No.	Part Number	Description	Q'ty	Notes	Frame No.
1	1.20.06.03.07000	GASKET, L. CRANKCASE COVER	1	as in photo	
2	2.20.06.03.01000	L.CRANKCASE COVER	1		
3	1.05.01.09.0665	BOLT, M6X65	2		
4	1.05.01.09.0640	BOLT, M6X40	6		
5	1.20.06.01.06001	CLAMP, BRAKE CABLE	1		
6	1.20.06.01.04000	CLAMP, CARB. DRAIN TUBE	1		
7	1.20.06.01.05000	HOLDER, THROTTLE CABLE	1		
8	1.20.04.01.01000	PIN, DOWEL, Ø8x14	2		
9	1.20.06.01.03000	PLATE, AIR VENT	1		
10	1.05.02.03.4208	SCEW, TAPPING, ST4.2x8	4		
11	1.20.17.01.05000	ARM ASSY., KICK STARTER	1		
12	1.05.01.08.0622	BOLT, M6X22	1		
13	1.20.06.01.10001	PIPE, AIR INLET COMP.	1		
14	1.20.06.01.08000	BRACKET, HOLDING	1		
15	1.05.01.09.0612	BOLT, M6X12	1		
16	2.20.06.03.99000	COVER ASSY., L. CRANKCASE	1		

E4	Right Crankcase Cover Assembly	LEAD150
----	---------------------------------------	----------------

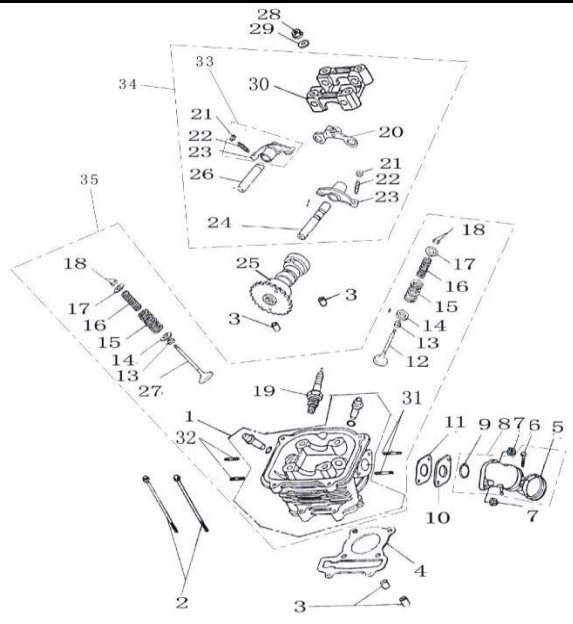


No.	Part Number	Description	Q'ty	Notes	Frame No.
1	2.20.07.01.01000	COVER, R. CRANKCASE	1		
2	1.20.07.01.06000	GASKET, R. CRANKCASE COVER	1		
3	1.20.04.01.13000	OIL SEAL, 19.8X30X5	1		
4	1.20.04.01.01000	PIN, $\Phi 8 \times 14$	2		
5	1.20.07.01.09000	SCREEN, OIL FILTER	1		
6	1.20.07.01.03000	SPRING, OIL FILTER SCREEN	1		
7	1.20.07.01.04000	O-RING, 30.5X3	1		
8	1.20.07.01.02000	SCREW CAP, OIL FILTER SCREEN	1		
9	1.05.01.09.0632	BOLT, M6X32	1		
10	1.05.01.09.0695	BOLT, M6X95	4		
11	1.05.01.09.06100	BOLT, M6X100	1		
12	1.05.01.09.06110	BOLT, M6X110	2		
13	1.20.07.01.08000	CLAMP, TRIGGER CABLE	1		
14	1.20.07.01.05000	GAUGE, OIL LEVEL	1		
15	1.20.07.01.07000	O-RING, 18X3	1		
16	1.05.01.09.0635	BOLT, M6X35	1		
17	2.20.07.01.99000	COVER ASSY., R. CRANKCASE	1		



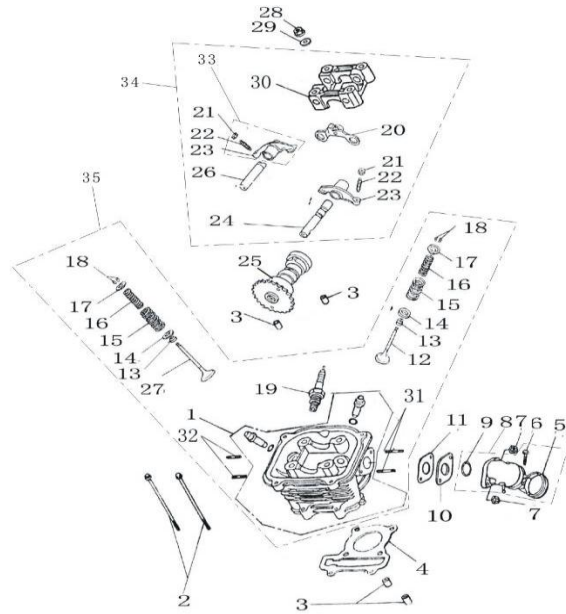
No.	Part Number	Description	Q'ty	Notes	Frame No.
1	1.20.02.03.03000	CYLINDER ASSY.	1		
2	1.20.02.03.01000	GASKET, CYLINDER	1		
3	1.20.01.01.01000	PIN, DOWEL, $\Phi 10 \times 16$	2		
4	1.20.02.01.02000	WASHER, 6x12	1		
5	1.05.01.09.0612	BOLT, M6X12	1		

E6	Cylinder Head Assembly	LEAD150
----	-------------------------------	----------------



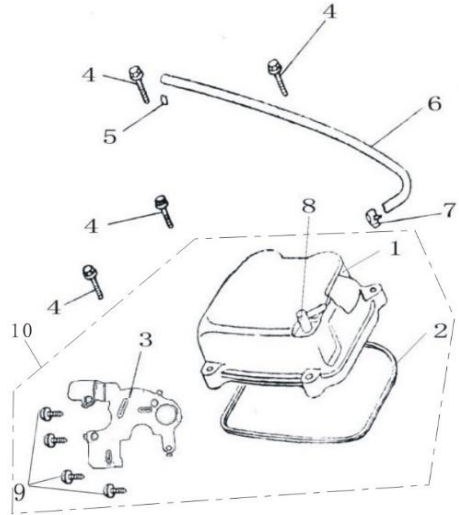
No.	Part Number	Description	Q'ty	Notes	Frame No.
1	2.20.01.03.13000	HEAD COMP., CYLINDER	1		
2	1.05.01.09.06100	BOLT, M6X100	2		
3	1.20.01.01.01000	PIN, DOWEL, Φ10x16	4		
4	1.20.01.03.15000	GASKET, CYLINDER HEAD	1		
5	1.20.01.01.16010	CLAMP, AIR INLET PIPE	1		
6	1.05.02.01.0425	BOLT, M4x25	1		
7	1.05.04.02.0600	NUT, M6	2		
8	1.20.01.01.16000	AIR INLET PIPE COMP.	1		
9	1.00.14.265180	O-RING, 26.5x1.8	1		
10	1.20.01.01.12000	INSULATOR	1		
11	1.20.01.01.11000	GASKET, INSULATOR	1		
12	1.20.01.03.06000	VALVE, INTAKE	1		
13	1.20.01.01.14000	SEAL, VALVE	2		
14	1.20.01.01.10000	WASHER	2		
15	1.20.01.01.09000	SPRING, VALVE OUTER	2		
16	1.20.01.01.08000	SPRING, VALVE INNER	2		
17	1.20.01.01.05000	RETAINER, VALVE SPRING	2		
18	1.20.01.01.07000	COTTER, VALVE	4		
19	1.20.01.01.17000	PLUG, SPARK	1		

E6	Cylinder Head Assembly	LEAD150
----	-------------------------------	----------------

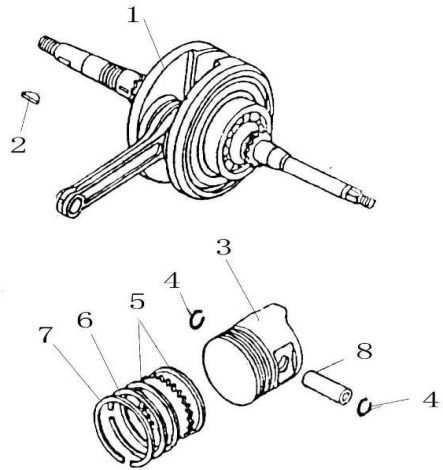


No.	Part Number	Description	Q'ty	Notes	Frame No.
20	1.20.12.01.05000	STOPPER COMP.	1		
21	1.20.12.01.04020	NUT, ADJUSTING	2		
22	1.20.12.01.04030	BOLT, ADJUSTING	2		
23	1.20.12.01.04010	ROCKER ARM	2		
24	1.20.12.01.03000	SHAFT, INTAKE ROCKER ARM	1		
25	1.20.11.01.01000	CAMSHAFT ASSY.	1		
26	1.20.12.01.02000	SHAFT, EXHAUST ROCKER ARM	1		
27	1.20.01.03.04000	VALVE, EXHAUST	1		
28	1.05.04.02.0800	NUT, M8	4		
29	1.20.04.01.06000	WASHER, 8	4		
30	2.20.12.01.01000	HOLDER, CAMSHAFT	1		
31	1.20.01.01.03000	BOLT, STUB, M6X63	2		
32	1.20.01.01.02000	BOLT, STUB, M6X32	2		
33	1.20.12.01.04000	ROCKER ARM, VALVE	2		
34	2.20.12.01.99000	SEAT ASSY., CAMSHAFT	1		
35	2.20.01.03.99000	CYLINDER HEAD ASSY.	1		

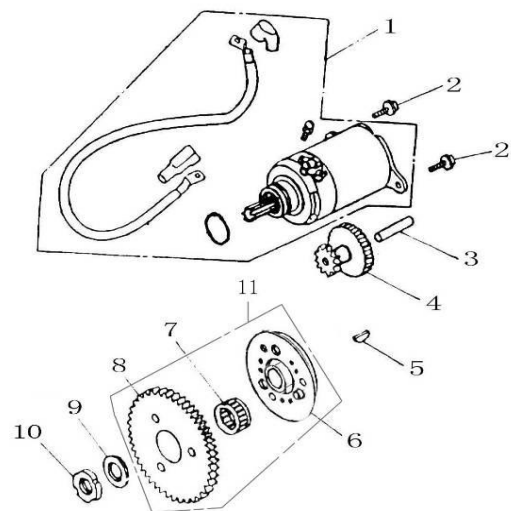
E7	Cylinder Head Cover Assembly	LEAD150
----	------------------------------	---------



No.	Part Number	Description	Q'ty	Notes	Frame No.
1	2.20.03.01.01000	COVER, CYLINDER HEAD	1		
2	1.20.03.01.03000	GASKET, CYLINDER HEAD COVER	1		
3	1.20.03.01.02000	PLATE, CYLINDER HEAD COVER	1		
4	1.05.01.09.0622	BOLT, M6X22	4		
5	1.20.03.01.05010	CLIP, PIPE	1		
6	1.20.03.01.05000	PIPE COMP., BREATH	1		
7	1.20.03.01.05020	CLIP, PIPE	1		
8	1.20.03.01.04000	JUNCTION COMP., BREATH PIPE	1		
9	1.05.02.03.4208	SCREW, TAPPING, ST4.2X8	4		
10	2.20.03.01.99000	COVER ASSY., CYLINDER HEAD	1		



No.	Part Number	Description	Q'ty	Notes	Frame No.
1	1.20.09.01.01000	CRANKSHAFT COMP.	1		
2	1.20.09.01.01010	KEY, WOODRUFF	1		
3	1.20.10.03.01000	PISTON	1		
4	1.20.10.01.04000	CIRCLIP, PISTON PIN	2		
5	1.20.10.03.02000	RING SET, PISTON	1		
6					
7					
8	1.20.10.03.03000	PISTON PIN	1		

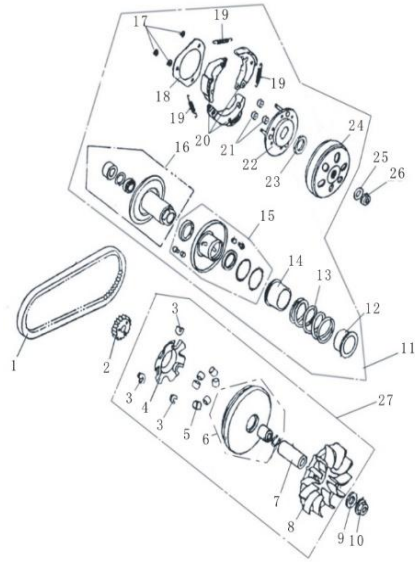


No.	Part Number	Description	Q'ty	Notes	Frame No.
1	1.20.18.01.01000	MOTOR ASSY., STARTER	1		
2	1.05.01.09.0616	BOLT, M6X16	2		
3	1.20.18.01.02000	GEAR SHAFT	1		
4	1.20.18.01.03000	GEAR, STARTER REDUCTION	1		
5	1.20.09.01.01010	KEY, WOODRUFF	1		
6	1.20.19.03.01020	CLUTCH COMP.	1		
7	1.20.19.01.01040	NEEDLE BEARING	1		
8	1.20.19.03.01030	GEAR COMP., STARTING CLUTCH	1		
9	1.20.19.01.03000	WASHER	1		
10	1.20.19.01.02000	LOCK NUT, SM22X1 L.	1		
11	1.20.19.03.01000	CLUTCH ASSY., STARTING	1		

E10

Driving and Driven Pulley Assembly

LEAD150

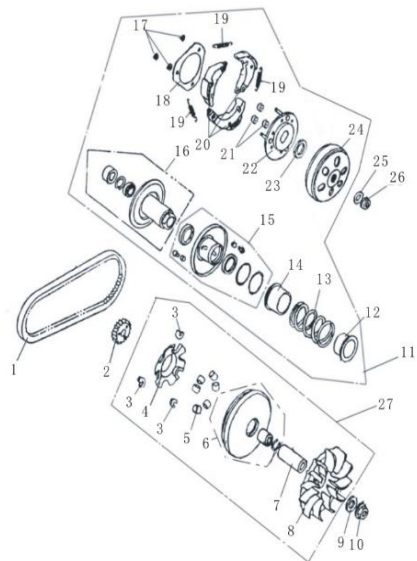


No.	Part Number	Description	Q'ty	Notes	Frame No.
1	1.20.22.03.02000	BELT, DRIVE	1		
2	1.20.17.01.04000	STARTING GEAR	1		
3	1.20.21.01.01060	PIECE, SLIDE	3		
4	1.20.21.01.01050	PLATE, RAMP	1		
5	1.20.21.01.01040	WEIGHT, ROLLER	6		
6	1.20.21.01.01030	FACE, MOVABLE DRIVE	1		
7	1.20.21.01.01020	BOSS, DRIVE FACE	1		
8	1.20.21.01.01010	FACE, DRIVE	1		
9	1.05.05.04.1200	WASHER, 12.3x29x2.5	1		
10	1.05.04.10.1213	NUT, M12x1.25 H=10	1		
11	1.20.22.01.01000	PULLEY ASSY., DRIVEN	1		
12	1.20.22.01.01070	COLLAR, SPRING	1		
13	1.20.22.01.01040	SPRING, DRIVEN FACE	1		
14	1.20.22.01.01010	COLLAR, SEAL	1		
15	1.20.22.01.01090	FACE SET, MOVING DRIVEN	1		
16	1.20.22.01.01120	FACE SET, DRIVEN	1		
17	1.05.06.04.0700	CIRCLIP, 7	3		
18	1.20.22.01.01080	PLATE, CLUTCH	1		
19	1.20.22.01.01060	SPRING, CLUTCH	3		

E10

Driving and Driven Pulley Assembly

LEAD150

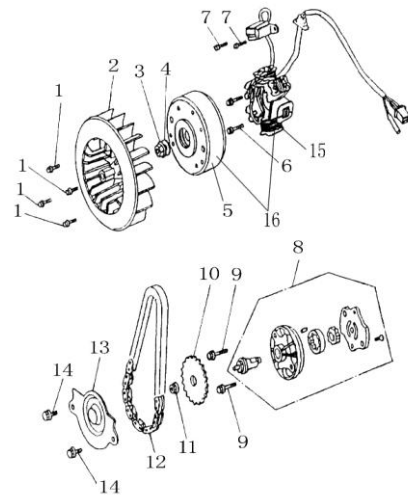


No.	Part Number	Description	Q'ty	Notes	Frame No.
20	1.20.22.01.01140	SHOE, CLUTCH	3		
21	1.20.22.01.01130	DAMPER	3		
22	1.20.22.01.01160	DRIVE PLATE COMP.	1		
23	1.20.22.01.01050	NUT	1		
24	1.20.22.01.01150	HOUSING, CLUTCH	1		
25	1.05.05.04.1200	WASHER, 12.3x29x25	1		
26	1.05.04.10.1212	NUT, M12x1.25 H=8	1		
27	1.20.21.01.01000	PULLEY ASSY., DRIVE	1		

E11

Generator Parts, Oil Pump Parts

LEAD150

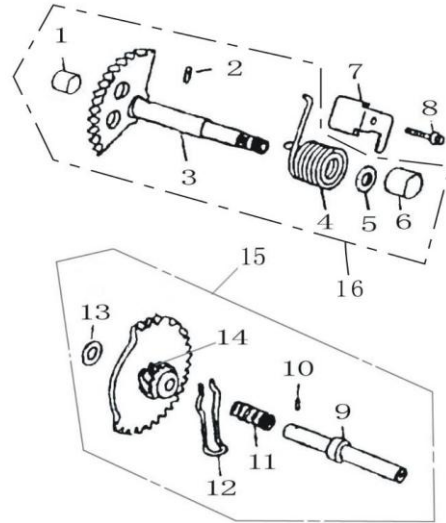


No.	Part Number	Description	Q'ty	Notes	Frame No.
1	1.05.01.09.0618	BOLT, FLANGE, M6X18	4		
2	1.20.24.01.06000	FAN COMP., COOLING	1		
3	1.05.04.10.1213	NUT, M12x1.25 H=10	1		
4	1.05.05.04.1201	WASHER, PLAIN, 12-14 HV	1		
5	1.20.16.01.01021	FLYWHEEL COMP. (DC 8 POLES)			
6	1.05.01.09.0620	BOLT, FLANGE, M6X20	2		
7	1.05.01.08.0512	BOLT, M5X12	2		
8	1.20.14.01.03000	OIL PUMP ASSY.	1		
9	1.05.01.09.0625	BOLT, M6X25	2		
10	1.20.14.01.01000	SPROCKET, OIL PUMP DRIVEN	1		
11	1.05.04.02.0600	NUT, M6	1		
12	1.20.14.01.04000	CHAIN, OIL PUMP	1		
13	1.20.14.01.02000	SEPARATOR, OIL	1		
14	1.05.01.09.0612	BOLT, M6X12	2		
15	1.20.16.01.01011-DC	STATOR COMP.	1		
16	1.20.16.01.01001-DC	GENERATOR ASSY.	1		

E12

Kick Starting Parts

LEAD150

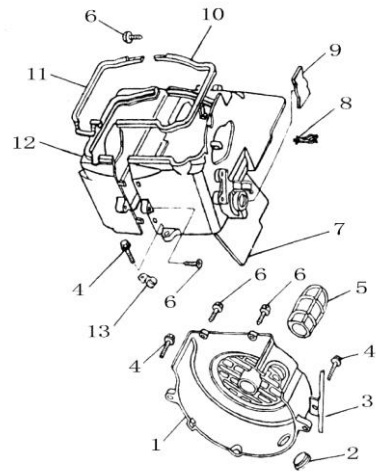


No.	Part Number	Description	Q'ty	Notes	Frame No.
1	1.20.17.01.01010	BUSH II	1		
2		PIN	1		
3	1.20.17.01.01050	SPINDLE COMP., KICK STARTER	1		
4	1.20.17.01.01020	SPRING, KICK STARTER SPINDLE	1		
5	1.20.17.01.01030	WASHER	1		
6	1.20.17.01.01040	BUSH I	1		
7	1.20.17.01.02000	PLATE, SPRING	1		
8	1.05.01.09.0614	BOLT, M6X14	1		
9	1.20.17.01.03030	SHAFT COMP., STARTER IDLE	1		
10	1.05.08.02.0308	PIN, A3x8	1		
11	1.20.17.01.03020	SPRING, COMP.RESSION	1		
12	1.20.17.01.03050	CLIP	1		
13	1.20.17.01.03040	WASHER, ADJUST	1		
14	1.20.17.01.03010	BEVEL WHEEL	1		
15	1.20.17.01.03000	WHEEL ASSY., STARTER IDLE	1		
16	1.20.17.01.01000	SPINDLE ASSY., KICK STARTER	1		

E13

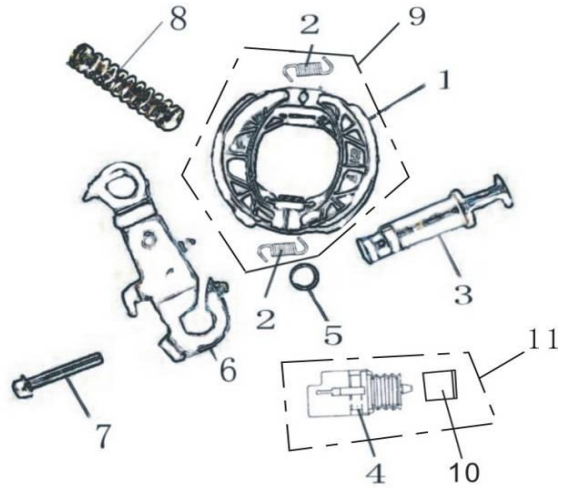
Shroud Parts

LEAD150

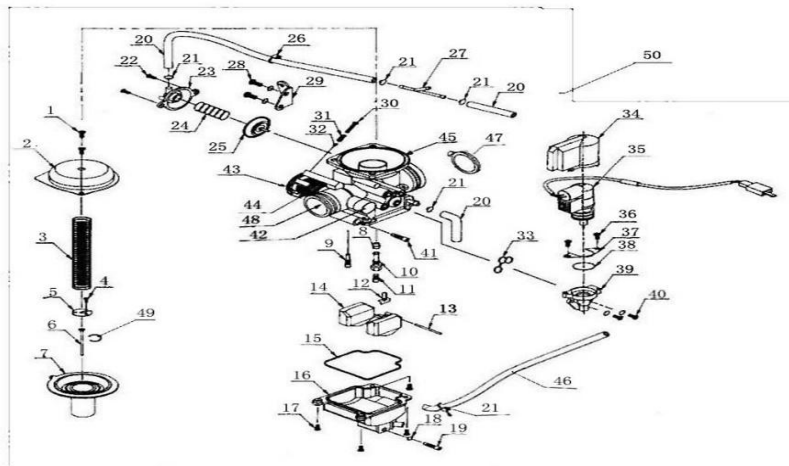


No.	Part Number	Description	Q'ty	Notes	Frame No.
1	1.20.24.01.03000	COVER COMP., FAN	1		
2	1.20.24.01.03020	CAP, HOLE	1		
3	1.20.24.01.04000	CLAMP, CABLE	1		
4	1.05.01.09.0625	BOLT, M6X25	3		
5	1.20.24.01.03010	GUIDE TUBE, COOLING	1		
6	1.05.02.15.4816	SCREW, TAPPING, ST4.8X16-F-H	4		
7	1.20.24.01.01020	SHROUD COMP., UPPER	1		
8	1.20.24.01.01040	CLIP, HIGH TENSION CABLE	1		
9	1.20.24.01.01030	COVER, RUBBER	1		
10	1.20.24.01.01010	SEAL, UPPER SHROUD	1		
11	1.20.24.01.02020	SEAL, LOWER SHROUD	1		
12	1.20.24.01.02000	SHROUD COMP., LOWER	1		
13	1.20.24.01.05000	CLAMP, CARB. DRAIN TUBE	1		

E14	Rear Brake Assembly	LEAD150
-----	---------------------	---------



No.	Part Number	Description	Q'ty	Notes	Frame No.
1	1.20.30.03.01020	SHOES COMP., REAR BRAKE	2		
2	1.20.30.03.01010	SPRING, SHOE	2		
3	1.20.30.01.04000	CAMSHAFT, RR. BRAKE	1		
4	1.20.30.01.03020	COVER, SWING ARM, RR. BRAKE	1		
5	1.20.30.01.05000	O-RING, 11.3x1.3	1		
6	1.20.30.01.02000	SWING ARM, RR. BRAKE	1		
7	1.05.01.09.0632	BOLT, M6x32	1		
8	1.20.30.01.06000	SPRING, BRAKING	1		
9	1.20.30.03.01000	REAR BRAKE ASSY.	1		
10	1.20.30.01.03010	PLATE, SWING ARM COVER	1		
11	1.20.30.01.03000	COVER ASSY., SWING ARM	1		

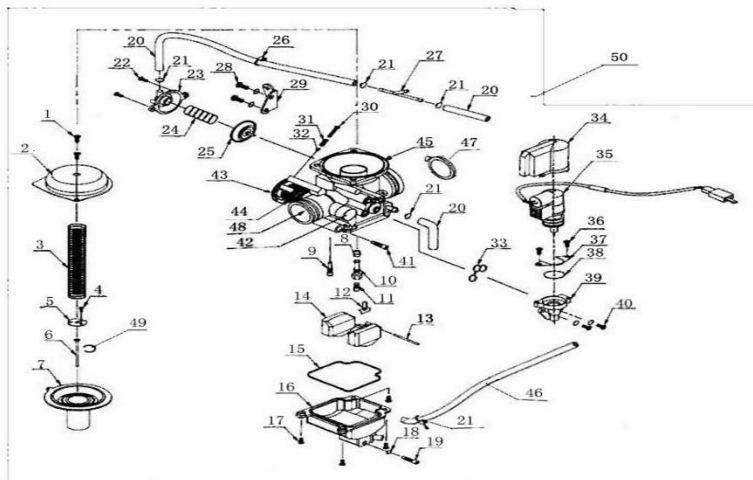


No.	Part Number	Description	Q'ty	Notes	Frame No.
1	1.20.23.01.01010	SCREW, PISTON VALVE	2		
2	1.20.23.01.01020	PLATE, PISTON VALVE	1		
3	1.20.23.01.01030	SPRING, PISTON VALVE	1		
4	1.20.23.01.01040	SCREW, MAIN NEEDLE	1		
5	1.20.23.01.01050	PLATE, MAIN NEEDLE	1		
6	1.20.23.03.01060	MAIN NEEDLE	1		
7	1.20.23.01.01070	PISTON VALVE	1		
8	1.20.23.03.01080	NOZZLE, MAIN	1		
9	1.20.23.03.01090	JET, SLOW	1		
10	1.20.23.03.01100	PIPE, MAIN JET	1		
11	1.20.23.03.01110	JET, MAIN	1		
12	1.20.23.01.01120	NEEDLE VALVE	1		
13	1.20.23.01.01130	PIN, FLOAT	1		
14	1.20.23.01.01140	FLOAT	1		
15	1.20.23.01.01150	WASHER, FUEL CUP	1		
16	1.20.23.01.01160	FUEL CUP	1		
17	1.20.23.01.01170	SCREW, FUEL CUP	4		
18	1.20.23.01.01180	O-RING	1		
19	1.20.23.01.01190	SCREW, DRAIN	1		
20	1.20.23.01.01200	FUEL PIPE	3		
21	1.20.23.01.01210	CLIP, FUEL PIPE	5		

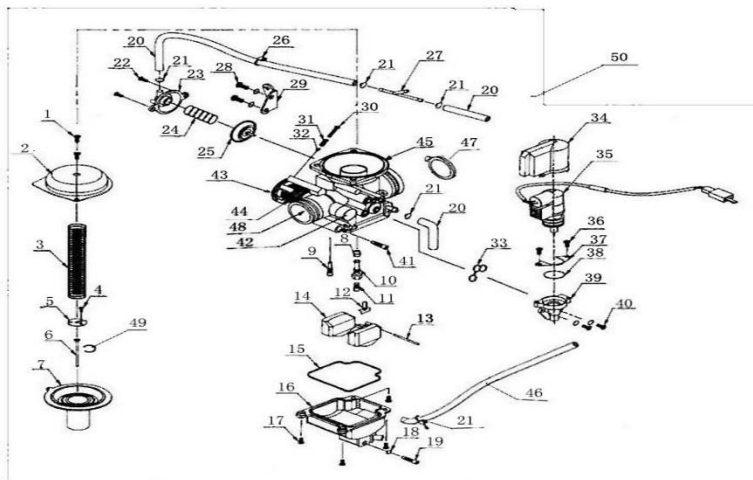
E15

Carburetor Assembly

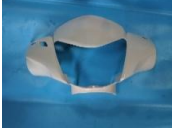
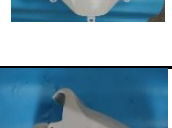
LEAD150













No.	Part Number	Description	Q'ty	Notes	Frame No.
22	1.20.23.01.01220	SCREW, AIR CUTOFF VALVE	2		
23	1.20.23.01.01230	COVER, AIR CUTOFF VALVE	1		
24	1.20.23.01.01240	SPRING, AIR CUTOFF VALVE	1		
25	1.20.23.01.01250	RUBBER DIAPHRAGM, AIR CUTOFF VALVE	1		
26	1.20.23.01.01260	PIPE HOLDER	1		
27	1.20.23.01.01270	THREE-WAY PIPE	1		
28	1.20.23.01.01280	SCREW, STEEL PIECE	2		
29	1.20.23.01.01290	PIECE, COPPER	1		
30	1.20.23.01.01300	SCREW, SLOW SPEED	1		
31	1.20.23.01.01310	SPRING, SLOW SPEED	1		
32	1.20.23.01.01320	RIVET, THROTTLE LEVER SEAT	1		
33	1.20.23.01.01330	RUBBER RING, AUTO CHOKE UNIT SEAT	3		
34	1.20.23.01.01340	SHELL, AUTO CHOKE UNIT	1		
35	1.20.23.01.01350	ELECTRIC AUTO CHOKE UNIT	1		
36	1.20.23.01.01360	SCREW, MOUNTING PLATE	2		
37	1.20.23.01.01370	MOUNTING PLATE	1		
38	1.20.23.01.01380	RUBBER RING	1		
39	1.20.23.01.01390	SEAT, AUTO CHOKE UNIT	1		
40	1.20.23.01.01400	SCREW, AUTO CHOKE UNIT SEAT	2		
41	1.20.23.01.01410	SCREW, SLOW-SPEED ADJUSTING	1		
42	1.20.23.01.01420	PLUG, THROTTLE LEVER	1		












No.	Part Number	Description	Q'ty	Notes	Frame No.
43	1.20.23.01.01430	THROTTLE LEVER ASSY.	1		
44	1.20.23.01.01440	SPRING, THROTTLE LEVER	1		
45	1.20.23.03.01450	CARBURETOR ASSY.	1		
46	1.20.23.01.01460	TUBE COMP., DRAIN	1		
47	1.20.23.01.01470	COVER, DUSTPROOF	1		
48	1.20.23.01.01480	THROTTLE COMP.	1		
49	1.20.23.01.01490	CLIP	1		
50	1.20.23.03.01000	CARBURETOR ASSY.	1		

No.	P/N	PHOTO	DESCRIPTION
1	KTLD150-001		HEAD COVER
2	KTLD150-002		DASHBOARD COVER
3	KTLD150-003		DECO PARTS, DASHBOARD COVER
4	KTLD150-004		FRONT PANEL
5	KTLD150-005		UPPER, FRONT WALL
6	KTLD150-006		DOWN, FRONT WALL
7	KTLD150-007		UPPER, TOOLBOX
8	KTLD150-008		FRONT FENDER
9	KTLD150-009		FRONT PARTS, L&R PROTECTING BOARD
10	KTLD150-010		REAR PARTS, L&R PROTECTING BOARD
11	KTLD150-011		L&R DECORATION PARTS












No.	P/N	PHOTO	DESCRIPTION
12	KTLD150-012		ADJUSTMENT COVER, IGNITION SWITCH
13	KTLD150-013		CONNECTING BOARD, DECORATION BOARD
14	KTLD150-014		DECO PARTS, FRONT PANEL
15	KTLD150-015		UPPER, FRAME FENDER
16	KTLD150-016		FOOTREST
17	KTLD150-017		FRAME FENDER
18	KTLD150-018		LIP, BATTERY BOX
19	KTLD150-019		REAR FENDER
20	KTLD150-020		HOOK
21	KTLD150-021		CENTRE COVER












No.	P/N	PHOTO	DESCRIPTION
22	KTLD150-022		INNER PARTS, TOOLBOX
23	KTLD150-023		DOWN, TOOLBOX
24	KTLD150-024		REAR BOTTOM PLATE, FUEL TANK
25	KTLD150-025		INNER COVER, LUGGAGE
26	KTLD150-026		LUGGAGE
27	KTLD150-027		BATTERY BOX
28	KTLD150-028		HOUSE, LICENSE PLATE LAMP
29	KTLD150-029		VIN COVER
30	KTLD150-030		HEADLIGHT LED
31	KTLD150-031		TAILLIGHT LED
32	KTLD150-032		FRONT SIGNAL LIGHTS

No.	P/N	PHOTO	DESCRIPTION
33	KTLD150-033		LAMP, LICENSE PLATE
34	KTLD150-034		CP PARTS, DASHBORD COVER
35	KTLD150-035		CP DECO PARTS, FRONT WALL
36	KTLD150-036		CLIP, HEADLIGHT
37	KTLD150-037		PLASTIC CLIP
38	KTLD150-038		FRAME
39	KTLD150-039		SIDE STAND
40	KTLD150-040		MAIN STAND
41	KTLD150-041		HANDLEBAR
42	KTLD150-042		ENGINE HANGER
43	KTLD150-043		BRACKET, FRONT PANEL











No.	P/N	PHOTO	DESCRIPTION
44	KTLD150-044		STEERING STEM
45	KTLD150-045		BASE, LOCK
46	KTLD150-046		SPEEDOMETER
47	KTLD150-047/48		L&R SWITCH BUTTOM ASSY
49	KTLD150-049		REAR CARRIER
50	KTLD150-050		L&R PEDAL
51	KTLD150-051		FRONT L&R FORK
52	KTLD150-052		REAR FORK






No.	P/N	PHOTO	DESCRIPTION
53	KTLD150-053		ALUMINUM CONNECTING BOARD
54	KTLD150-054		HANGER CUSHION
55	KTLD150-055		PUMPER, MAIN STAND
56	KTLD150-056		BRACKET, LICENSE PLATE
57	KTLD150-057		SEAT
58	KTLD150-058		REAR TIRE
59	KTLD150-059		FRONT TIRE
60	KTLD150-060		NOZZLE
61	KTLD150-061		STEEL BOWL ASSY

No.	P/N	PHOTO	DESCRIPTION
62	KTLD150-062		TANK
63	KTLD150-063		CAP, TANK
64	KTLD150-064		FUEL SENSOR
65	KTLD150-065		FUEL SWITCH
66	KTLD150-066		FILTER, FUEL
67	KTLD150-067		TUBE, FUEL
68	KTLD150-068		CLIP, FUEL TUBE
69	KTLD150-069		AIR TUVE
70	KTLD150-070		CLIP, AIR TUBE
71	KTLD150-071		COUNTER
72	KTLD150-072		CARBUREOR
73	KTLD150-073		IGNITION COIL

No.	P/N	PHOTO	DESCRIPTION
74	KTLD150-074		C.D.I.
75	KTLD150-075		FLASHER
76	KTLD150-076		voltage regulator
77	KTLD150-077		RELAY
78	KTLD150-078		USB
79	KTLD150-079		MUFFLER
80	KTLD150-080		GASKET, MUFFLER
81	KTLD150-081		FRONT DISC ASSY
82	KTLD150-082		DISC PLATE
83	KTLD150-083		BOLTS, DISC PLATE
84	KTLD150-084		FRONT RIM

No.	P/N	PHOTO	DESCRIPTION
85	KTLD150-085		REAR RIM
86	KTLD150-086		SPRING,SIDE STAND
87	KTLD150-087		SPRING, MAIN STAND
88	KTLD150-088		IGNITION SWITCH
89	KTLD150-089		Throttle seat
90	KTLD150-090		LEFT BRAKE LEVER
91	KTLD150-091		THROTTLE GRIP
92	KTLD150-092		GRIP
93	KTLD150-093		ENDING BLOCK
94	KTLD150-094		REAR BRAKE SHOES ASSY
95	KTLD150-095		REAR WHEEL FENDER
96	KTLD150-096		HORN

No.	P/N	PHOTO	DESCRIPTION
97	KTLD150-097		SEAT CABLE
98	KTLD150-098		WIRESHARNES
99	KTLD150-099		THROTTLE CABLE
100	KTLD150-100		REAR BRAKE CABLE
101	KTLD150-101		AIR FILTER
102	KTLD150-102		UPPER CLIP, THROTTLE CABLE
103	KTLD150-103		DOWN CLIP, THROTTLE CABLE
104	KTLD150-104		UPPER CLIP, DISC BRAKE CABLE
105	KTLD150-105		DOWN CLIP, DISC BRAKE CABLE
106	KTLD150-106		ENGINE ASSY

No.	P/N	PHOTO	DESCRIPTION
107	KTLD150-107		REAR REFLECTOR
108	KTLD150-108		SIDE REFLECTOR
109	KTLD150-109		BATTERY
110	KTLD150-110		TOOK LIT
111	KTLD150-111		REAR MIRROR