




**NIPPONIA**

**TN200 A30**

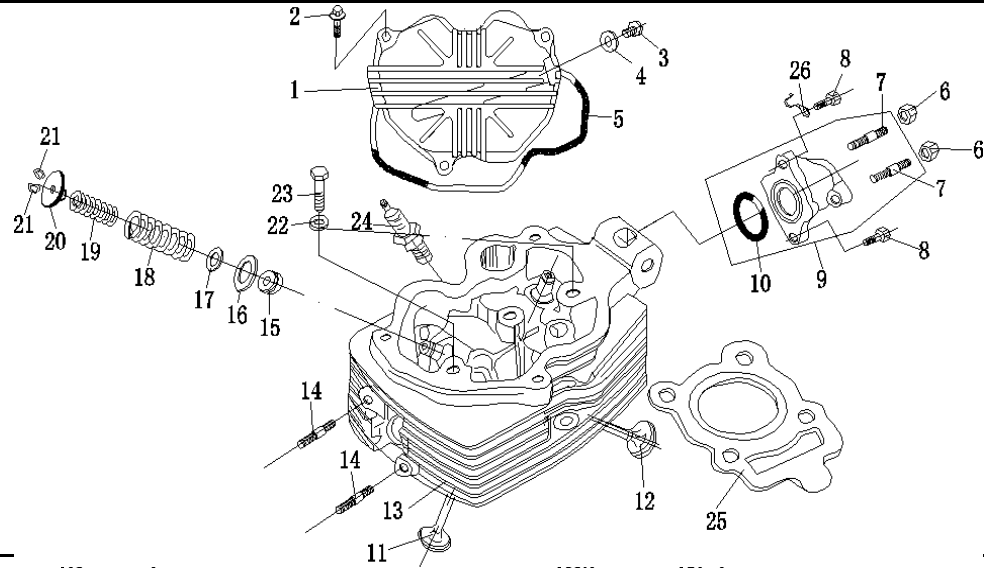


 Blanco – Rojo  
Negro – Rojo

**SPARE PARTS CATALOGUE**

version: 24.03

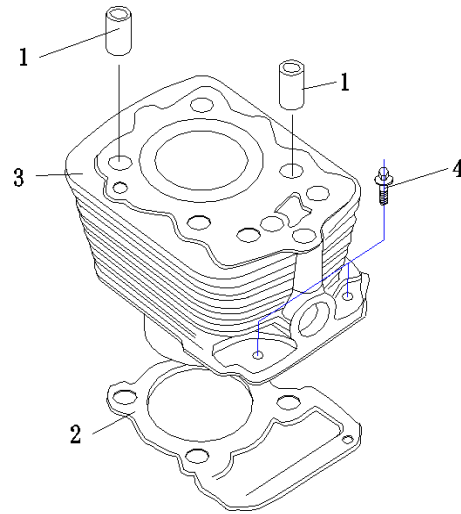
E1	Cylinder head	TN200
----	---------------	-------



No.	Part Number	Description	Q'ty	Notes	Frame No.
1	01201-T0A0-00A0	Cylinder Head Cover (Silver)	1		
2	GB5789-M6×28-L-C	Hexagon Flange Bolt M6×28--Cr.D	3		
3	GB16674-M6×12-L-C	Hexagon Flange Bolt M6×12--Cr.D	1		
4	DQ-6×12×1-5	Seal Washer 6mm	1		
5	01203-T0A0-0000	Seal Gasket, Cylinder Head	1		
6	GB6177.1-M6-B	Hexagon Nut M6	2		
7	GB897-M6×28-L-C	Double-end Bolt M6×28	2		
8	GB16674-M6×20-L-C	Hexagon Flange Bolt M6×20--Cr.D	2		
9	01400-T0A0-1000	Inlet Pipe	1		
10	MO-33.7×3-A	O-ring 33.7×3	1		
11	06001-T0C0-0000	Intake Valve	1		
12	06002-T0C0-0000	Exhaust Valve	1		
13	01100-T0C0-01A0	Cylinder Head Comp. (Silver)	1		
14	GB897-M6×37-B-E	Double-end Bolt M6×37	2		
15	06009-T0A0-0000	Oil Seal, Air Valve	2		
16	06005-T0A0-0000	Outer Spring Washer, Air Valve	2		
17	06006-T0A0-0000	Inner Spring Washer, Air Valve	2		
18	06003-T0A0-0000	Outer Spring, Air Valve	2		
19	06004-T0A0-0000	Inner Spring, Air Valve	2		
20	06008-T0A0-0000	Spring Base, Air Valve	2		

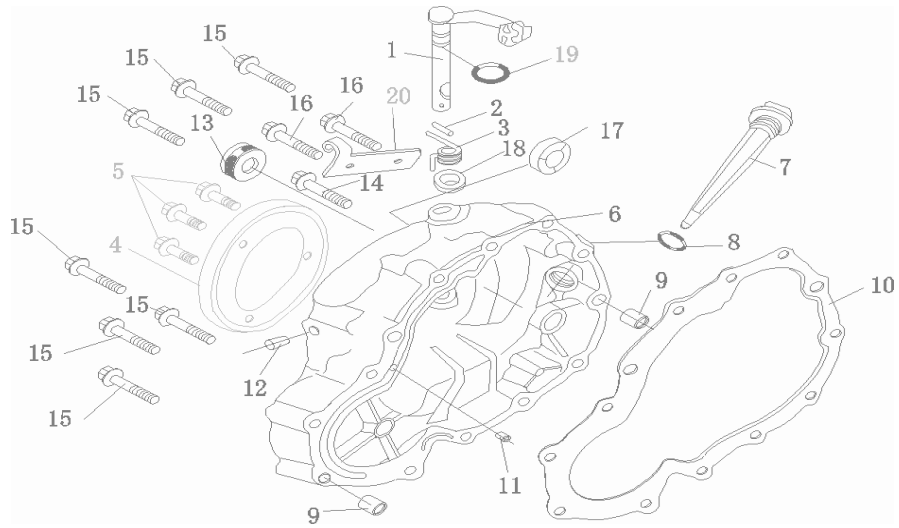
21	06007-TOA0-0000	Lock Clip, Air Valve	4		
22	GB97-8×18×2.2-6	Seal Washer 8×18×2.2	3		
23	GB5789-M8×28-S-E	Hexagon Flange Bolt M8×28(H12)	3		
24	18400-TOA0-0000	Spark Plug (D8EA)	1		
25	01300-TOC0-0200	150Gasket, Cylinder Head (Steel)	1		
26	01401-TOA0-0000	High Tension Wire Clip	1		

<b>E2</b>	<b>Cylinder</b>	<b>TN200</b>
-----------	-----------------	--------------



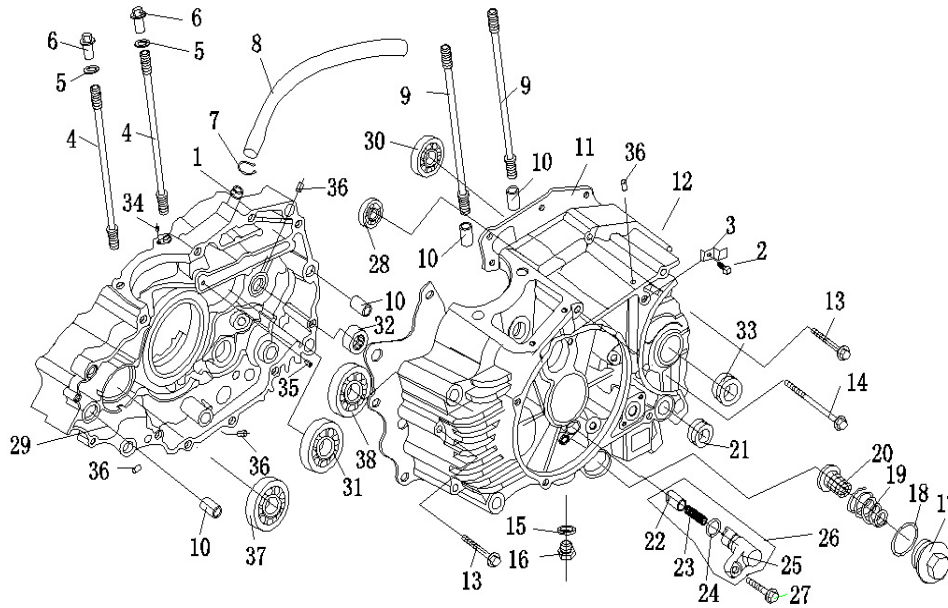
No.	Part Number	Description	Q'ty	Notes	Frame No.
1	XZ-10×20	Position Pin 10×20	2		
2	01300-TOC0-0100	150 Cylinder Gasket	1		
3	02100-H0C0-00A0	Cylinder Comp.(CG150, Silver)	1		
4	GB16674-M6×22-L-C	Hexagon Flange Bolt M6×22-Cr.D	2		

E3	Right crankcase cover	TN200
----	-----------------------	-------



No.	Part Number	Description	Q'ty	Notes	Frame No.
1	06200-T0A0-0500	Clutch Lever Assy.	1		
2	XZ-3×14	Pin 3×14	1		
3	03203-T0A0-0500	Spring, E Right Cover Lever	1		
4	MO-8.6×1.9-N	O-ring 8.6×1.9	2		
5	12202-T0A0-0100	Bracket, Clutch Cable	1		
6	124001-017A-51HJOY03	Right Crank Case Cover (Silver, Electric)	1		
7	03403-T0A0-0000	Oil Ruler Stick	1		
8	MO-18×3.5-N	O-ring 18×3.5	1		
9	XZ-8×14	Positioning Pin 8×14	2		
10	03406-T0A0-0100	Gasket, Right Cover	1		
11	03411-T0A0-0000	Oil Limit Nozzle 3	1		
12	03111-T0A0-0000	Stopping Washer 6×8	1		
13	MY-16×28×7-N	Oil Seal 16×28×7	1		
14	GB16674-M6×50-L-C	Hexagon Flange Bolt M6×50-Cr.D	1		
15	GB16674-M6×40-L-C	Hexagon Flange Bolt M6×40-Cr.D	8		
16	GB16674-M6×45-L-C	Hexagon Flange Bolt M6×45-Cr.D	2		
17	03413-T0A0-0000	Oil Level Window	1		
18	03414-H0A0-0000	Washer, E Right Cover Lever	1		

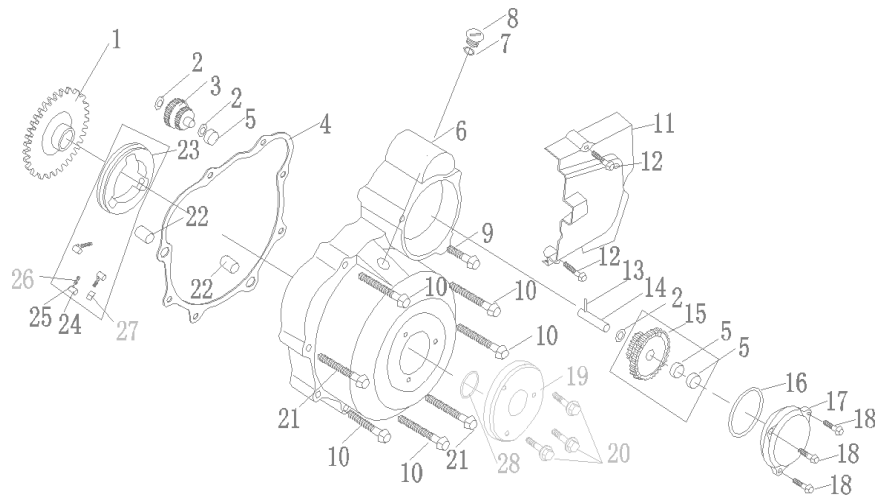




No.	Part Number	Description	Q'ty	Notes	Frame No.
1	03201-T0A0-0100	Pipe Joint	1		
2	GB16674-M6×12-L-C	Hexagon Flange Bolt M6×12-Cr.D	1		
3	03104-T0A0-0000	Clip	1		
4	03107-T0A0-00Q0	Double-end Bolt 8×122-Zn.D	2		
5	03108-T0A0-00Q0	Flat Washer 12mm	4		
6	GB6117.1-M8×32-S	Hexagon Flange Nut 8×32--Zn.D	4		
7	03202-T0A0-0000	Clip, Air Pipe	1		
8	03201-T0A0-0000	Rubber Air Pipe	1		
9	GB901-M8×130-S-E	Double-end Bolt M8×130-Zn.D	2		
10	XZ-10×14	Positioning Pin 10×14	4		
11	03105-T0A0-0100	Gasket, Crank case	1		
12	03110-T0A0-03A0	Left Crankcase Comp. (Silver)	1		
13	GB16674-M6×50-L-C	Hexagon Flange Bolt M6×50-Cr.D	10		
14	GB16674-M6×95-L-C	Hexagon Flange Bolt M6×95-Cr.D	1		
15	DQ-20×12×2-5	Washer (20×12×2) (AL.)	1		
16	GB5789-M12×15-L-C	Hexagon Flange Bolt M12×15-Cr.D	1		

17	03101-TOA0-00A0	Filter Net Cover (Deactivation)	1		
18	MO-35×3-N	O-ring 35×3	1		
19	03108-TOA0-0000	Spring, Oil Filter Net	1		
20	07300-TOA0-0000	Oil Filter Net	1		
21	MY-14×28×7-N	Oil Seal 14×28×7	1		
22	03122-TOA0-0000	Positioning Pin, Bearing	1		
23	03123-TOA0-0000	Spring, Bearing Positioning Pin	1		
24	MO-13.5×2.5-N	O-Ring 13.5×2.5	1		
25	03121-TOA0-0000	Fixing Seat, Bearing Positioning Pin	1		
26	03152-TOA0-0000	Bearing Positioning Pin (Include O-ring)	1		
27	GB5789-M6×25-S-C	Hexagon Flange Bolt M6×25-Zn.D (H10)	1		
28	GB276-6202-P6	Bearing 6202	1		
29	1223A-TON0-0000Y03	Right Crankcase Comp. (Silver)	1		
30	GB276-6204-P6	Bearing 6204	1		
31	GB276-6006-P6-OA	Bearing 6006	1		
32	GB12764-1512-P6	Needle Bearing NK1512	1		
33	MY-20×34×7-A	Oil Seal 20×34×7	1		
34	03211-TOA0-0000	Oil Limit Nozzle 1	1		
35	03411-TOA0-0000	Oil Limit Nozzle 2	1		
36	03111-TOA0-0000	Plug 6×8	4		
37	GB276-6303-P6-2	Bearing 6303, Balancer	1		
38	GB276-6203-P6-1	Bearing 6203, Balancer	1		

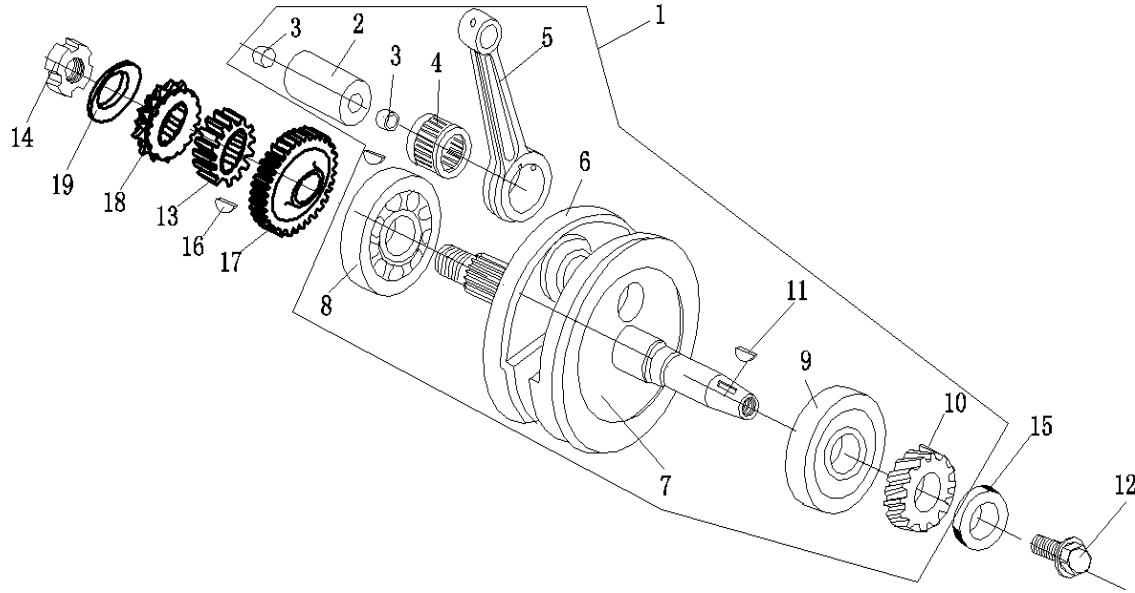
E5	Left Crankcase Cover	TN200
----	----------------------	-------



No.	Part Number	Description	Q'ty	Notes	Frame No.
1	12000-TOA0-0000	Transmission Gear Comp.	1		
2	DQ-10.5×18×0.5-H	Washer 10.5mm (Oxidize)	3		
3	15402-TOA0-0000	Idler Gear, Electric Start	1		
4	03305-TOA0-0000	Paper Gasket, Left Crankcase	1		
5	GB12764-1010-P6	Needle Bearing HK1010	2		
6	123001-017A-51HJ0Y03	Left Crankcase (Silver)	1		
7	MO-13.8×2.5-N	O-ring 13.8×2.5	1		
8	03302-TOA0-00N0	Timing Screw	1		
9	GB16674-M6×25-S-C	Hexagon Flange Bolt M6×25-S-C	1		
10	GB16674-M6×40-L-C	Hexagon Flange Bolt M6×40-L-C	5		
11	03306-TOA0-07B0	Left Rear Cover	1		
12	GB16674-M6×28-L-C	Hexagon Flange Bolt M6×28-L-C	1		
13	15422-TOA0-0000	Pin 3×5	1		
14	15421-TOA0-0000	Gear Shaft, Electric Start	1		
15	15411-TOA0-0000	Gear, Electric Start	1		
16	MO-63×3-N	O-ring 63×3	1		
17	03304-H0A0-01N0	Gear Cover, Electric Start	1		
18	GB16674-M6×20-L-C	Hexagon Flange Bolt M6×20-L-C	3		
19	12105-TOAO-0000	Spring	3		
20	04112-TOAO-0000	Plug	3		

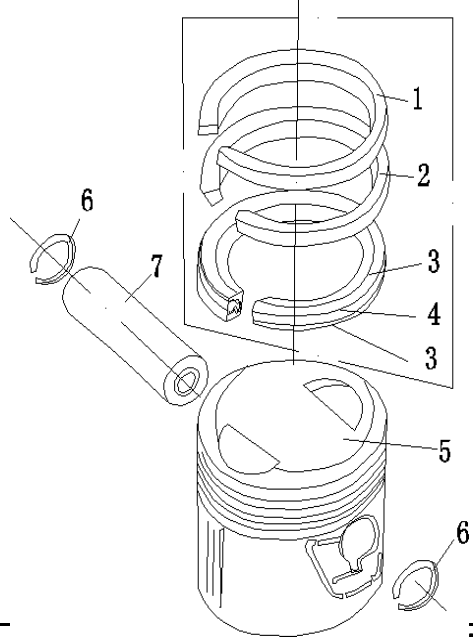
21	GB16674-M6×50-L-C	Hexagon Flange Bolt M6×50-L-C	2		
22	XZ-10×14	Positioning Pin 10×14	2		
23	12100-TOAO-0000	One-way Clutch Comp.	1		
24	12103-TOAO-0000	Roller	3		
25	12104-TOAO-0000	Push Rod	3		

E6	<b>Crank connecting rod</b>	<b>TN200</b>
----	-----------------------------	--------------

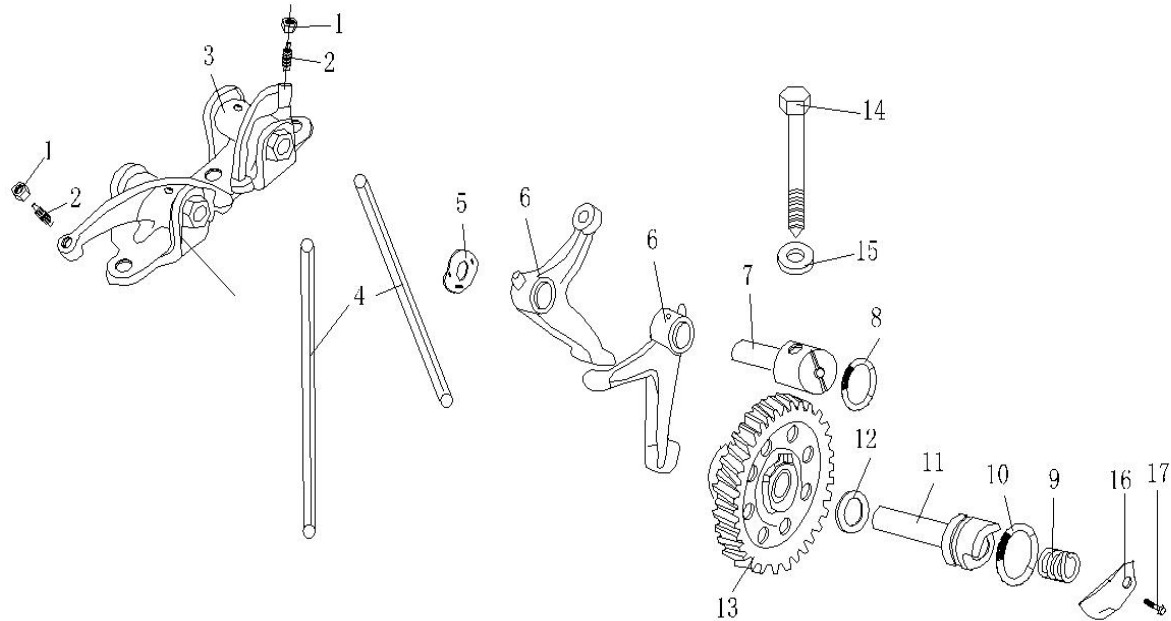


No.	Part Number	Description	Q'ty	Notes	Frame No.
1	04100-TOAO-9000	Crank Connecting Rod Comp.	1		
2	04111-TOAO-0100	Crank Pin	1		
3	04112-TOAO-0100	Plug	2		
4	JB/T3372-30×38×16-P4	Needle Bearing K30×38×18	1		
5	04101-TOAO-0000	Connecting Rod	1		
6	04102-TOAO-0000	Right Crank	1		
7	04102-TOAO-0000	Left Crank	1		
8	GB276-6328-P5-J	Bearing 6328J (Right)	1		
9	GB276-6328-P5-Z	Bearing 6328ZJ (Left)	1		
10	04104-TOAO-0000	Timing Drive Gear	1		
11	04105-TOAO-0000	Semicircular Key	1		
12	GB5789-M10×35-S-C	Hexagon Flange Bolt M10×35-S-C(H14)	1		
13	04002-TOAO-0400	Drive Gear	1		
14	07005-TOAO-0000	Round Nut 16mm	1		
15	MY-34×50×7-A	Oil Seal 34×50×7	1		
16	04004-T0B0-0000	Semicircular Key	1		
17	04004-TOAO-0000	Driving Gear	1		

18	07002-TOA0-0000	Oil Pump Drive	1		
19	07006-TOA0-0000	Washer 16mm	1		

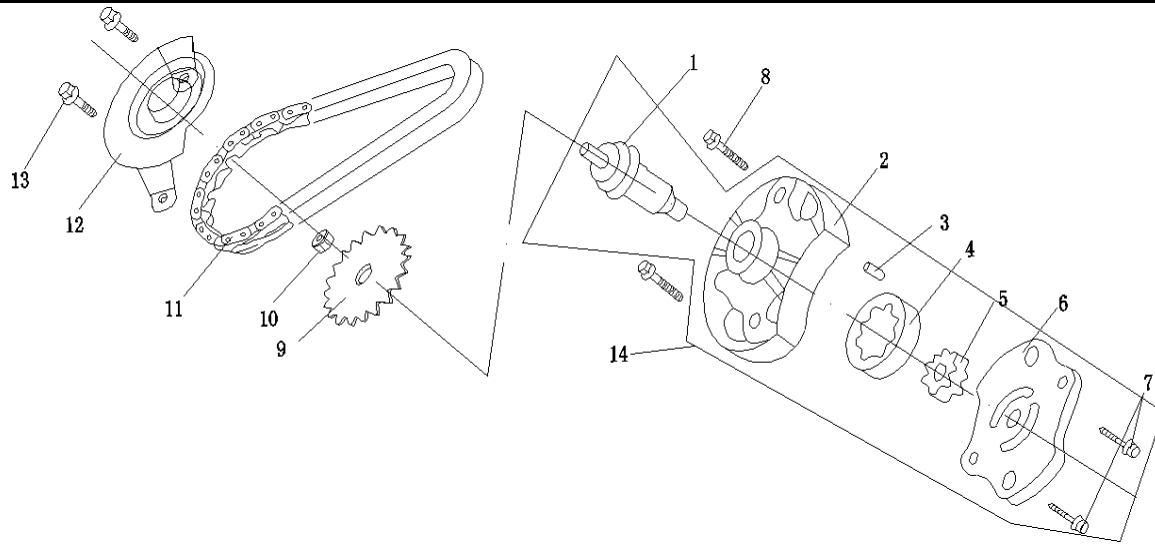


No.	Part Number	Description	Qty	Notes	Frame No.
1	05201-TOC0-0000	1st Piston Ring	1		
2	05202-TOC0-0000	2nd Piston Ring	1		
3	05211-TOC0-0000	150 Piece Ring	2		
4	05212-TOC0-0000	150 Bush Ring	1		
5	05001-TOC0-0000	150 Piston	1		
6	05003-TOA0-0000	Snap Ring, Piston Pin	2		
7	05002-TOC0-0000	150 Piston Pin	1		



No.	Part Number	Description	Q'ty	Notes	Frame No.
1	06315-T0A0-0000	Valve Adjusting Nut	2		
2	06314-T0A0-0000	Valve Adjusting Screw	2		
3	06310-T0A0-0000	Valve Rocker Arm Group (Normal)	1		
4	06200-T0A0-0000	Push Rod	2		
5	06201-T0A0-0000	Washer	1		
6	06011-T0A0-0000	Lower Rocker	2		
7	06012-T0C0-0000	150 Lower Rocker Shaft	1		
8	MO-2.5×17-F	O-ring 2.5×17	1		
9	06103-T0A0-0000	Spring, Camshaft	1		
10	MO-20×2.5-A	O-ring 20×2.5	1		
11	06100-T0C0-0000	150 Camshaft	1		
12	06101-T0A0-0000	Washer 14mm	1		
13	06120-T0A0-0000	Cam Comp.	1		
14	GB5782-M8×79-L-C	Hexagon Flange Bolt M8×79(H12)-Cr.D	1		
15	DQ-18×8.8×2.2-6	Seal Gasket 8mm	1		
16	06121-T0A0-0000	Camshaft Pressing Ban	1		

17	GB16674-M6×12-L-C	Hexagon Flange Bolt M6×12-Cr.D	1		
----	-------------------	--------------------------------	---	--	--

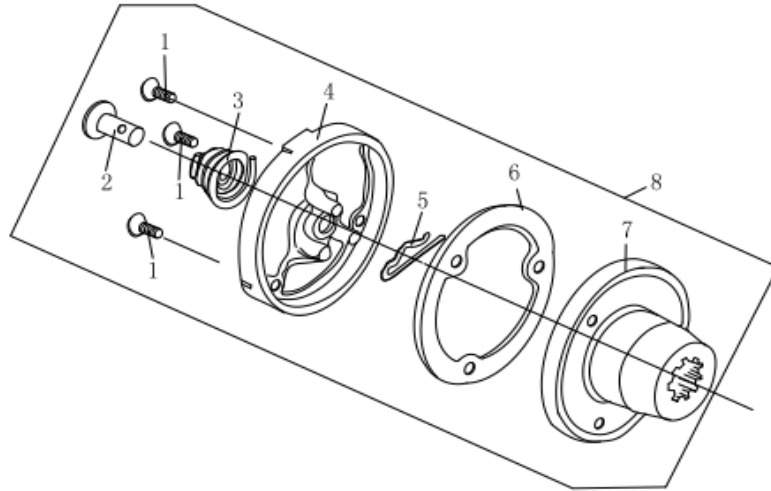


No.	Part Number	Description	Q'ty	Notes	Frame No.
1	07107-TOA0-0100	Oil Pump Shaft	1		
2	07101-TOA0-0100	Oil Pump Cover	1		
3	03404-TOA0-0100	Positioning Pin	1		
4	07106-TOA0-0000	Outer Rotor, Oil Pump	1		
5	07105-TOA0-0000	Inner Rotor, Oil Pump	1		
6	03410-T0N0-0140	Oil Pump	1		
7	03403-TOA0-0000	Bolt	2		
8	GB16674-M6×32-L-C	Hexagon Flange Bolt M6×32--Cr.D	2		
9	07002-T0B0-0000	Sprocket, Oil Pump Drive	1		
10	GB6170-M6-B	Nut M6--Zn.D	1		
11	07004-TOA0-0000	Chain, Oil Pump Drive C2-5×38	1		
12	07001-TOA0-0000	Oil Separator	1		
13	GB16674-M6×12-S-C	Hexagon Flange Bolt M6×12--Zn.D	2		
14	07100-TOA0-0100	Oil Pump Assy.	1		

E10

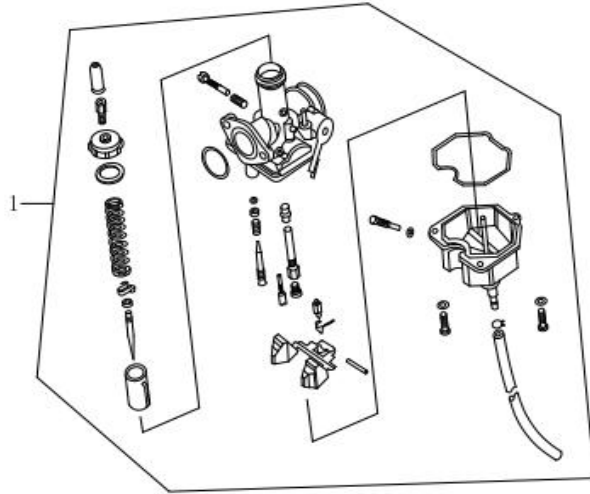
Filter

TN200

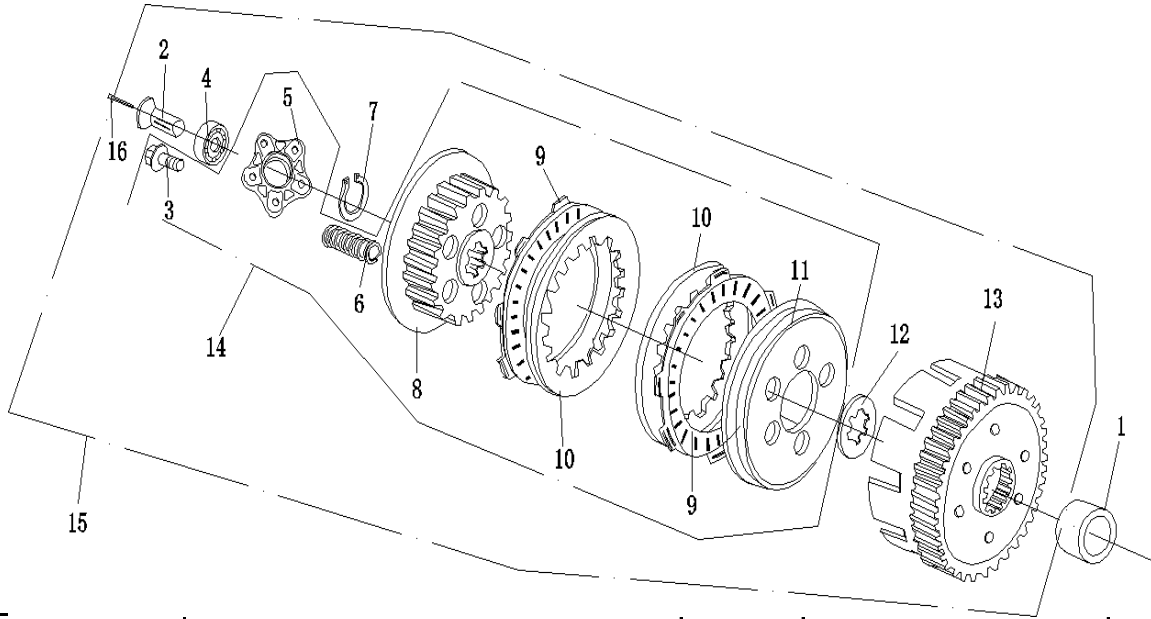


No.	Part Number	Description	Q'ty	Notes	Frame No.
1	GB819-M5×12-S-C	Screw M5×12--Zn.D	3		
2	07202-T0A0-0000	Oil Through Device	1		
3	07203-T0A0-0000	Oil Through Device Spring	1		
4	07204-T0A0-0000	Filter Cover	1		
5	07205-T0A0-0000	Clip Pin	1		
6	07206-T0A0-0000	Gasket, Filter Cover	1		
7	07207-T0A0-0000	Filter	1		
8	07200-T0A0-1000	Oil Filter Assy.	1		

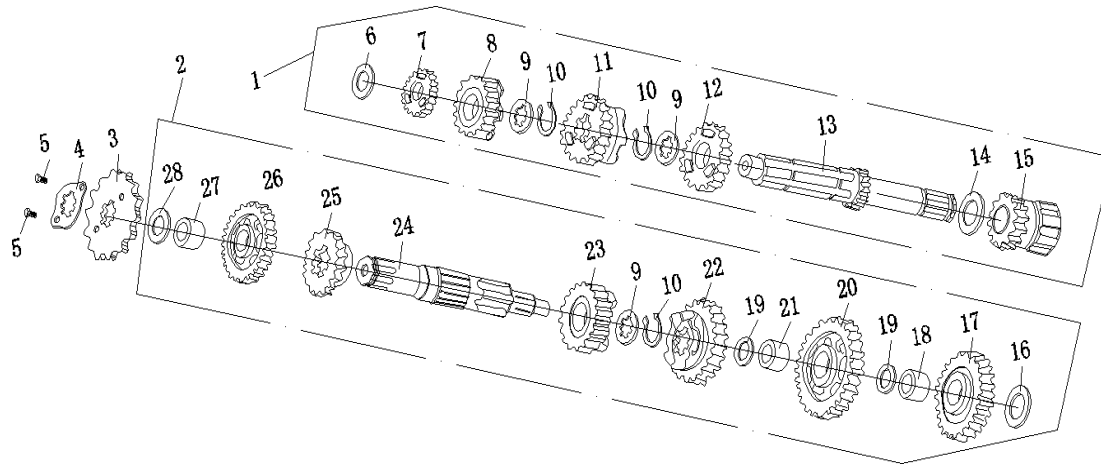
E11	Carburetor	TN200
-----	------------	-------



No.	Part Number	Description	Q'ty	Notes	Frame No.
1	171000-1600-00TY0000	Carburetor (with Bracket)	1		



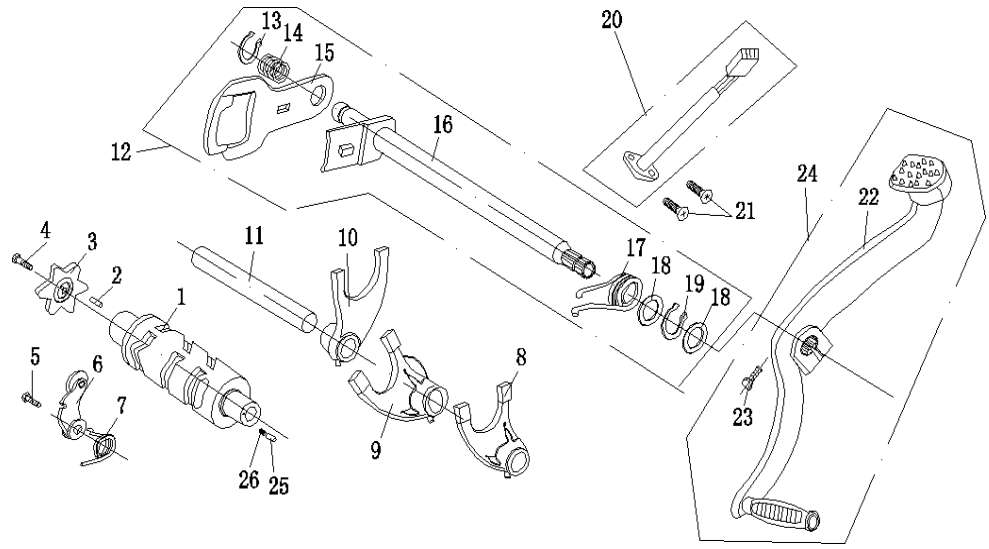
No.	Part Number	Description	Q'ty	Notes	Frame No.
1	13122-TOA0-0000	Bush, Main Axle	1		
2	11004-TOA0-0000	Separated Axle,Clutch	1		
3	GB5789-M6×25-S	Hexagon Flange Bolt M6×25-Zn.D	5		
4	GB276-6001-P6	Bearing 6001	1		
5	11006-TOA0-0000	Press Plate, Clutch	1		
6	11001-TOA0-0000	Spring, Clutch	5		
7	11008-TOA0-0000	Snap Ring 20mm	1		
8	11201-TOA0-0000	Fixed Tray Comp.	1		
9	11009-TOA0-0000	Friction Disc Comp.(Outer Disc)	6		
10	11005-TOA0-0000	Friction Driven Disc Comp. (Inner Disc)	5		
11	11006-TOA0-0000	Clutch Cover	1		
12	11007-TOA0-0000	Gasket	1		
13	2210A-TOA0-0000	Big Gear Comp., Clutch	1		
14	11500-TOC0-0000	Clutch Central Comp.	1		
15	11000-TOC0-0000	150 Clutch Assy.	1		
16	11003-TOA0-0100	Clutch Push Rod Pin	1		



No.	Part Number	Description	Q'ty	Notes	Frame No.
1	13100-TOA0-0200	Transmission Mainshaft Assy.	1		
2	13200-TOA0-0200	Transmission Countershaft Assy.	1		
3	13008-TOA0-0100	Drive Sprocket 15T	1		
4	13007-TOA0-0000	Sprocket Fixing Plate	1		
5	GB5783-M6×10-S	Hexagon Bolt M6×10-Zn.D	2		
6	13109-TOA0-0000	Washer	1		
7	13103-TOA0-0000	Main Axle 2 Speed Gear	1		
8	13107-TOA0-0000	Main Axle 5 Speed Gear	1		
9	13105-TOA0-0000	Spline Washer	3		
10	13106-TOA0-0000	Snap Ring	3		
11	13104-TOA0-0000	Main Axle 4 Speed Gear	1		
12	13108-TOA0-0000	Main Axle 3 Speed Gear	1		
13	13101-TOA0-0000	Transmission Main Axle	1		
14	13102-TOA0-0000	Washer	1		
15	13120-TOA0-0000	Starting Gear Group	1		
16	13202-TOA0-0000	Washer	1		
17	13211-TOA0-0000	Starting Idler Gear	1		
18	13212-TOA0-0000	Starting Gear Sleeve	1		

19	13201-TOA0-0000	Washer	2		
20	13203-TOA0-0000	Countershaft 1 Speed Gear	1		
21	13212-TOA0-0000	Countershaft 1 Speed Gear Sleeve	1		
22	13204-TOA0-0000	Countershaft 3 Speed Gear	1		
23	13207-TOA0-0000	Countershaft 4 Speed Gear	1		
24	13206-TOA0-0000	Transmission Countershaft	1		
25	13205-TOA0-0000	Countershaft 5 Speed Gear	1		
26	13208-TOA0-0000	Countershaft 2 Speed Gear	1		
27	13212-TOA0-0000	Starting Gear Sleeve	1		
28	13109-TOA0-0000	Washer	1		

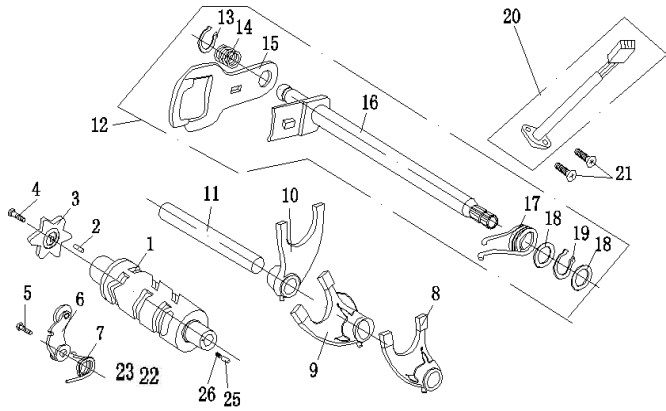
E14	Transmission shaft I	TN200
-----	----------------------	-------



No.	Part Number	Description	Q'ty	Notes	Frame No.
1	13401-TOA0-1000	Gearshift Drum	1		
2	XZ-4x10	Column Pin 4x10	1		
3	13402-TOA0-0500	Gearshift Cam	1		
4	GB5783-M6x25-S-C	Hexagon Bolt M6x25-Zn.C	1		
5	GB5783-06020-C-C	Hexagon Bolt M6x20-Zn.C	1		
6	13502-TOA0-0200	Gear Plate	1		
7	13001-TOA0-0000	Spring, Gear Plate	1		
8	13003-TOA0-0000	Right Transmission Fork	1		
9	13002-TOA0-0000	Centre Transmission Fork	1		
10	13004-TOA0-0000	Left Transmission Fork	1		
11	13005-TOA0-0000	Transmission Fork Axle	1		
12	13600-TOA0-0100	Gearshift Axle Assy.	1		
13	13605-TOA0-0000	Snap Ring 12	1		
14	13601-TOA0-0000	Spring, Gearshift Pedal	1		
15	13602-TOA0-0000	Gearshift Pedal	1		
16	13610-TOA0-1800	Gearshift Axle Comp.	1		
17	13603-TOA0-0000	Return Spring, Gearshift Axle	1		
18	13604-TOA0-0000	Flat Washer	2		
19	13606-TOA0-0000	Positioning Retainer Ring 14	1		
20	18310-TOA0-0100	Gear Switch Comp.	1		

21	GB818-M4×16-S-C	Screw M4×16--Cr.D	2		
24		Gearshift pedal			
25	18301-T0A0-0000	Pin	1		
26	18302-T0A0-0000	Spring	1		

E15	Transmission shaft II	TN200
-----	-----------------------	-------



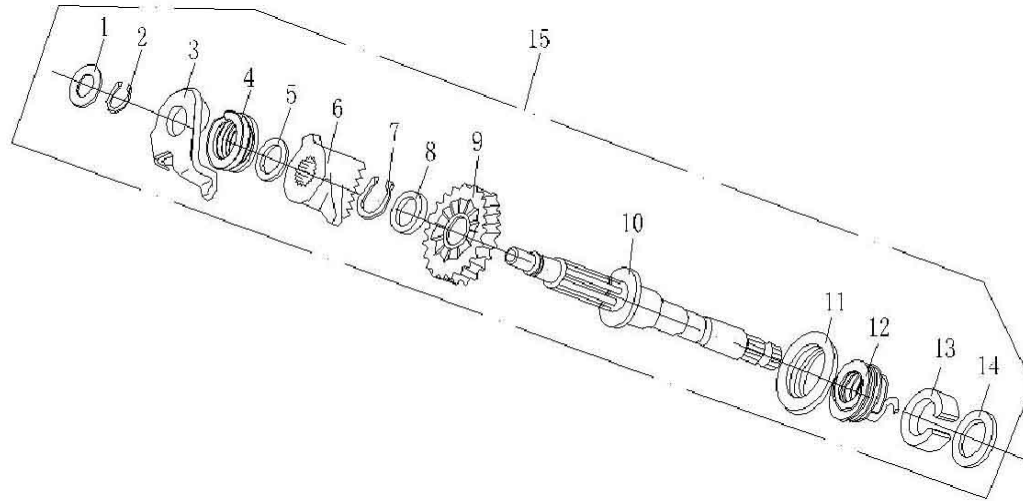
No.	Part Number	Description	Q'ty	Notes	Frame No.
1	13401-TOA0-0400	Gearshift Drum	1		
2	XZ-4x10	Column Pin 4x10	1		
3	13402-TOA0-0600	Gearshift Cam	1		
4	GB5783-M6x25-S-C	Hexagon Bolt M6x25-Zn.C	1		
5	GB5783-06020-C-C	Hexagon Bolt M6x20-Zn.C	1		
6	13502-TOA0-0000	Gear Plate Comp.	1		
7	13001-TOA0-0000	Spring, Gear Plate	1		
8	13003-TOA0-0000	Right Transmission Fork	1		
9	13002-TOA0-0000	Centre Transmission Fork	1		
10	13004-TOA0-0000	Left Transmission Fork	1		
11	13005-TOA0-0000	Transmission Fork Axle	1		
12	13600-TOA0-0000	Gearshift Axle Assy.	1		
13	13605-TOA0-0000	Snap Ring 12	1		
14	13601-TOA0-0000	Spring, Gearshift Pedal	1		
15	13602-TOA0-0000	Gearshift Pedal	1		
16	13610-TOA0-0000	Gearshift Axle Comp.	1		
17	13603-TOA0-0000	Return Spring, Gearshift Axle	1		
18	13604-TOA0-0000	Washer	2		
19	13606-TOA0-0000	Positioning Retainer Ring 14	1		
20	13402-TOA0-0300	Gear Switch Comp.	1		

21	GB818-M4×16-S-C	Screw M4×16--Cr.D	2		
22	18301-T0A0-0000	Pin	1		
23	18302-T0A0-0000	Spring	1		

E16

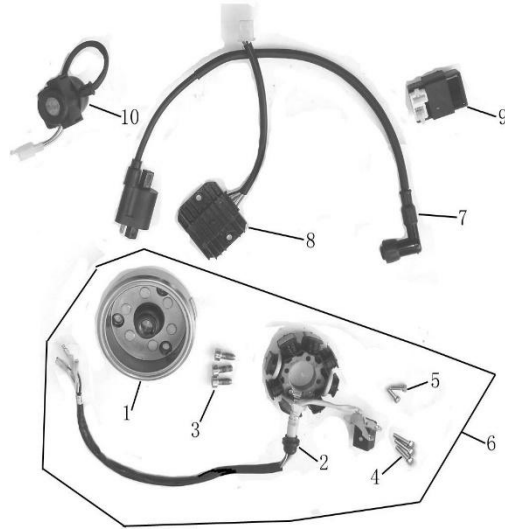
Starting axle

TN200



No.	Part Number	Description	Q'ty	Notes	Frame No.
1	15101-TOA0-0000	Washer 12	1		
2	GB894.1-16	Retainer Washer 16	1		
3	15120-TOA0-0000	Rachet Guide Plate Comp.	1		
4	15102-TOA0-0000	Rachet Spring	1		
5	15103-TOA0-0000	Washer	1		
6	15104-TOA0-0000	Starting Rachet	1		
7	GB894.1-20	Retainer Washer 20	1		
8	15103-TOA0-0000	Washer	1		
9	15105-TOA0-0000	Starting Gear	1		
10	15110-TOA0-0200	Starting Axle	1		
11	15106-TOA0-0000	Starting Spring Positioning Plate	1		
12	15107-TOA0-0000	Starting Spring	1		
13	15108-TOA0-0000	Starting Axle Sleeve	1		
14	15109-TOA0-0000	Washer	1		
15	15100-TOA0-0200	Starting Axle Assy. (176)	1		

E17	Magneto & Electric device	TN200
-----	---------------------------	-------

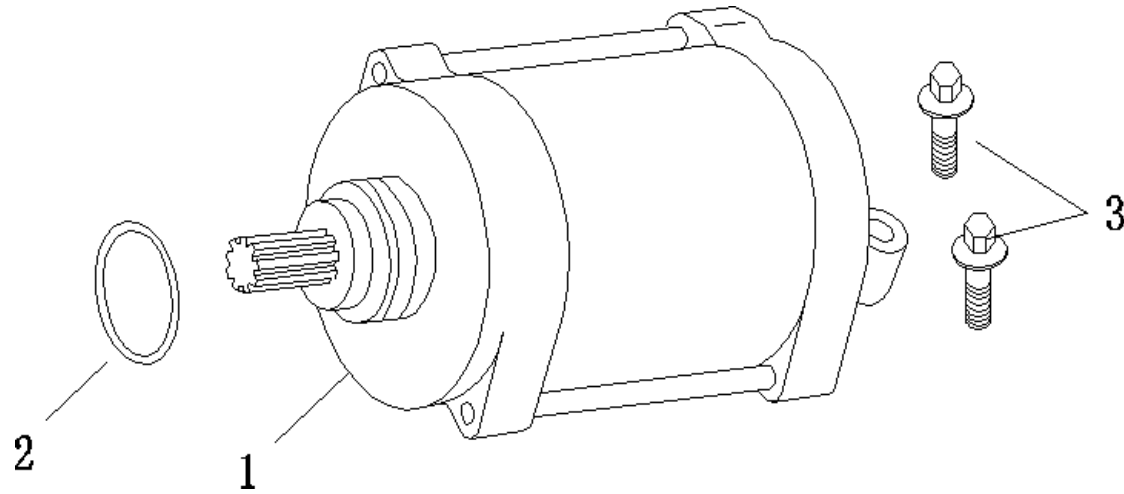


No.	Part Number	Description	Q'ty	Notes	Frame No.
1	18210-T0A0-1200	Flywheel Comp.	1		
2	18220-T0A0-0100	Stator Coil Comp.	1		
3	GB70-M8×18-S-C	Inner Hexagon Bolt M8×18	3		
4	GB5783-M5×25-S-C	Hexagon Bolt M5×25-Zn.D	3		
5	GB9074-5×16-S-C	Screw M5×16-Zn.D	2		
6	18200-T0A0-0100	Magneto Assy.	1		
7	18700-T0A0-0000	Ingnion Coil	1		
8	18800-T0A0-0000	Rectifier	1		
9	18600-T0A0-0000	C.D.I.	1		
10	18900-T0A0-0000	Relay	1		

E18

Starting Motor

TN200

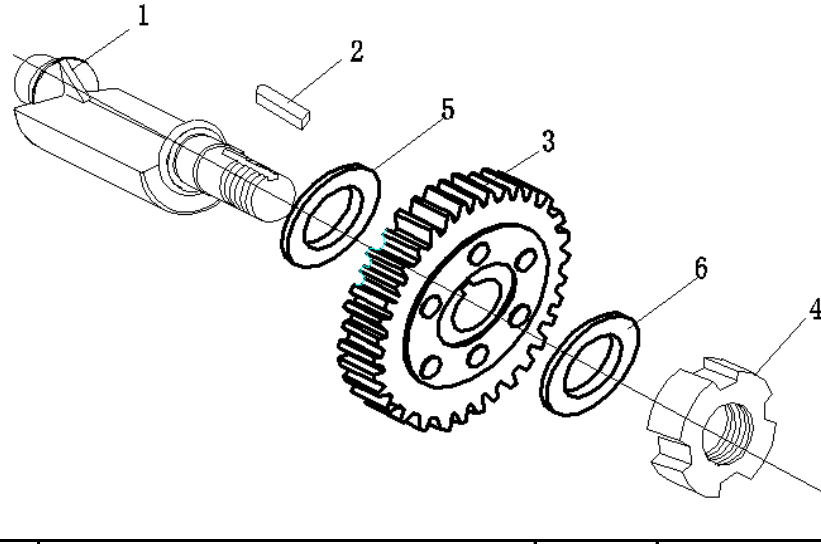


No.	Part Number	Description	Q'ty	Notes	Frame No.
1	18100-H0A0-00A0	Start Motor	1		
2	MO-25×3	O-ring 25×3	1		
3	GB5789-M6×28-L-C	Hexagon Flange Bolt M6×28--Cr.D	2		

E19

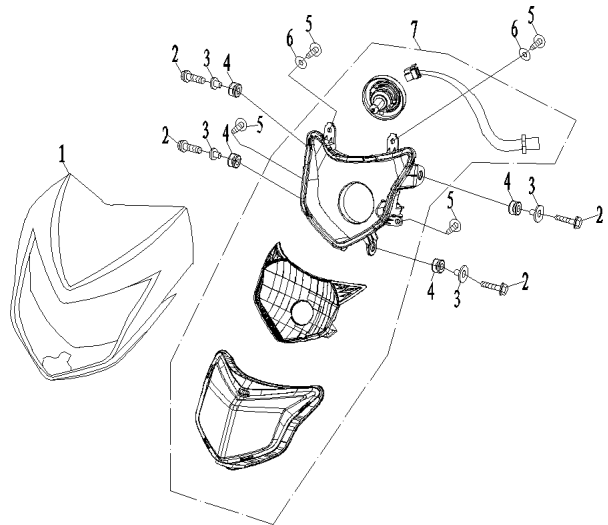
Balancer

TN200



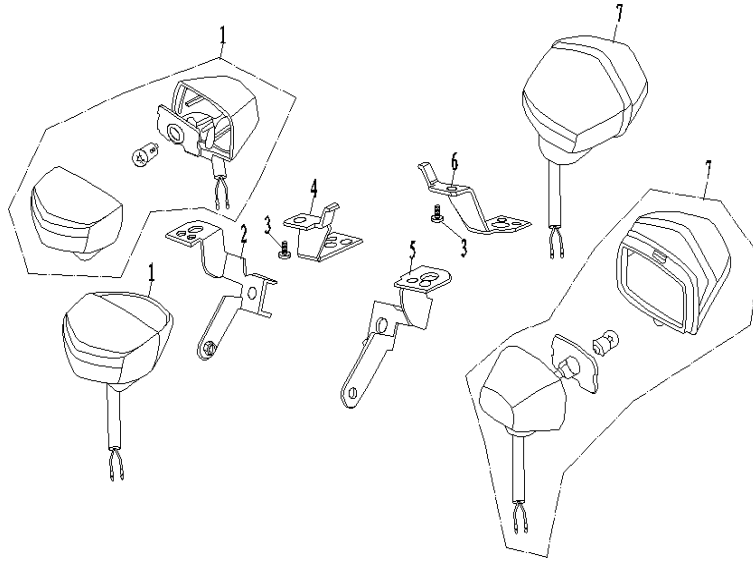
No.	Part Number	Description	Q'ty	Notes	Frame No.
1	15423-T0A0-0000	Balancer	1		
2	15422-T0A0-0000	Key	1		
3	04003-T0A0-0000	Driven Gear	1		
4	GB812-M16x1	Round Nut M16x1	1		
5	DQ-18x26x1-H	Washer 18x26x1	1		
6	06005-T0A0-0000	Air Valve Outer Spring Plate	1		

F1	Headlight	TN200
----	-----------	-------

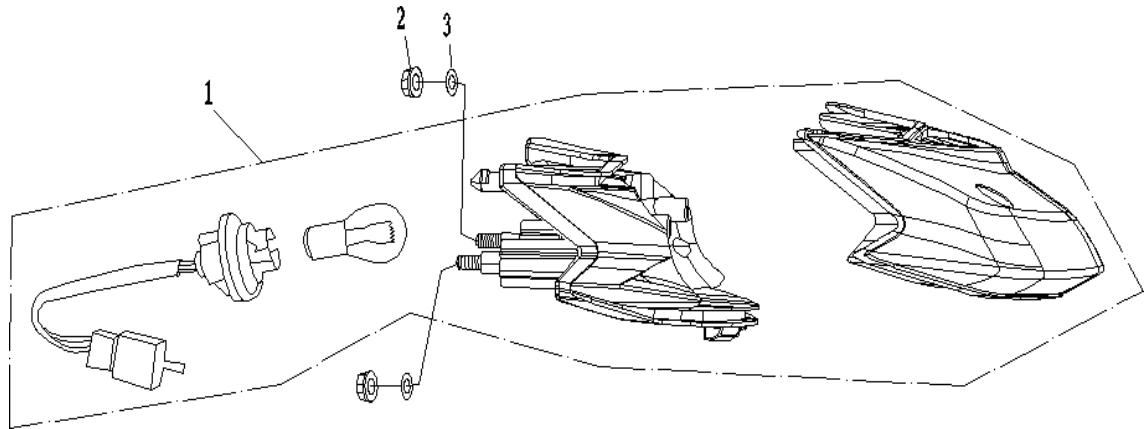


No.	Part Number	Description	Q'ty	Notes	Frame No.
1	831001-1800-00TY0-****	Head Cover	1	PLASTIC PART	
2	GB9074.25-88-06020-B	Hexagon Head Screw with Big Washer M6×20	4		
3	61104-LGZ-000-G	Bush	4		
4	84703-LGZ-000	Rubber Cushion	4		
5	GB845-85-42016-G	Cross Head Tapping Screw ST4.2×16	4		
6	GB96-85-06000-C	Wsher 6	2		
7	361000-1800-00TY0000	Headlight	1		

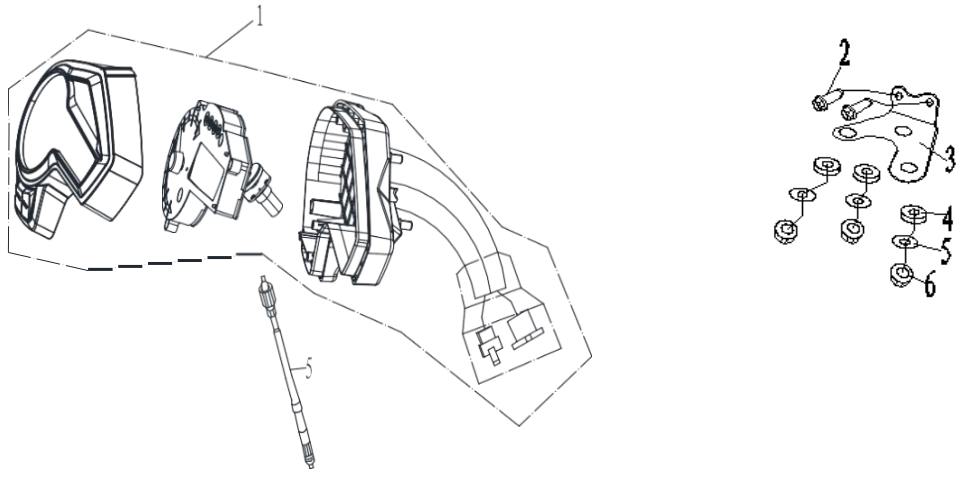
F2	Winkers	TN200
----	---------	-------



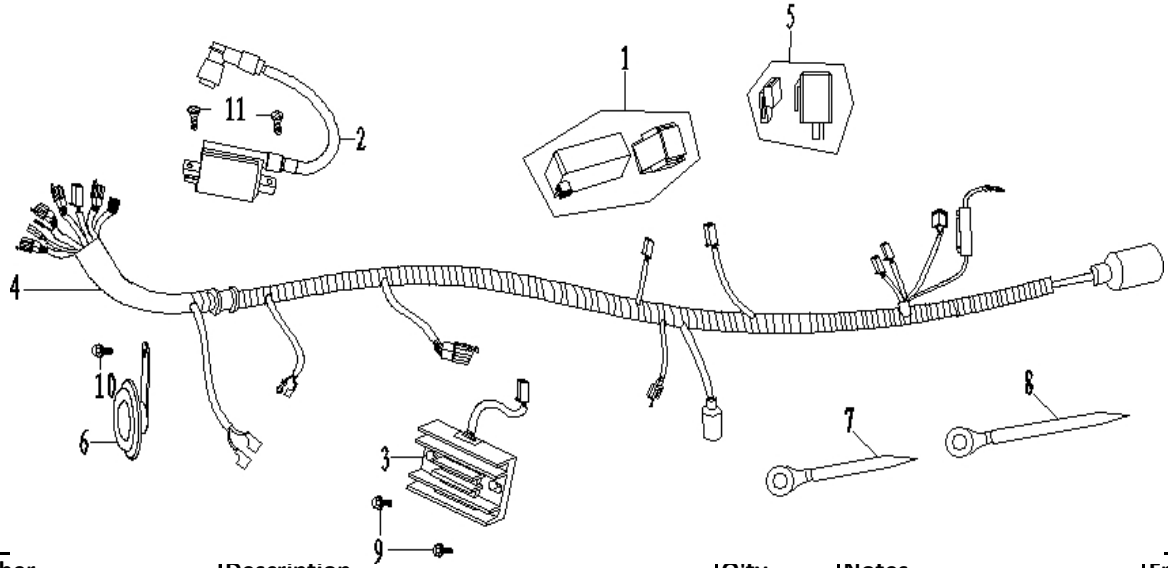
No.	Part Number	Description	Q'ty	Notes	Frame No.
1	362100-1800-00TY0000	Front Left Signal Light	2		
2	520003-1800-00TY0KBO	Left Bracket, Headlight	1		
3	GB5789-86-08012-G	Hexagon Flange Bolt M8×12	2		
4	520009-1800-00TY0KBO	Bracket, Rear Left Signal Light	1		
5	520004-1800-00TY0KBO	Right Bracket, Headlight	1		
6	520010-1800-00TY0KBO	Bracket, Rear Right Signal Light	1		
7	362200-1800-00TY0000	Front Right Signal Light	2		



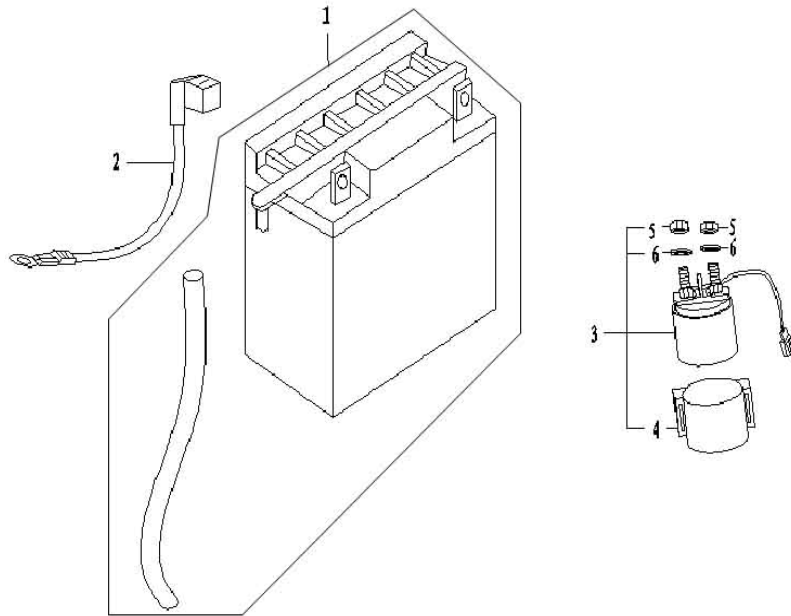
No.	Part Number	Description	Q'ty	Notes	Frame No.
1	363000-1800-00TY0000	Taillight	1		
2	GB6177-86-06000-C	Hexagon Flange Nut M6	2		
3	GB96-85-06000-C	Washer 6	2		



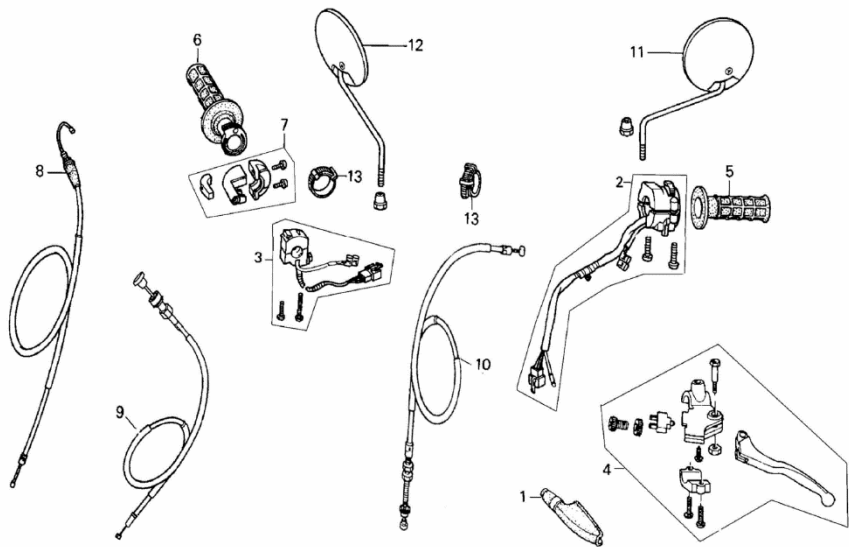
No.	Part Number	Description	Q'ty	Notes	Frame No.
1	371000-1800-00TY0000	Speedometer (Digital)	1		
2	GB5789-86-06012-C	Hexagon Flange Bolt M6×12	2		
3	37110-160-0000	Speedometer Bracket	1		
4	37212-160-0000	Rubber Cushion, Speedometer Bracket	3		
5	GB96-85-06000-C	Washer 6	3		
6	GB6177-86-06000-C	Hexagon Flange Nut M6	3		
7	62230-160-0000	Odometer Cable	1		



No.	Part Number	Description	Q'ty	Notes	Frame No.
1	311000-1360-02TY0000	C.D.I. (Model F, Normal)	1		
2	312000-1390-00TY0000	Ignition Coil	1		
3	313000-1360-01TY0000	Rectifier (Normal Plug, Amplitude limited)	1		
4	351100-1800-00TY0000	Main Cable	1		
5	354000-1360-00TY0000	Flasher (State III)	1		
6	355000-1360-00TY0000	Horn (State III, Black)	1		
7	91165-HWY-P00	Bundle (120×10)	2		
8	91165-HWY-P03	Bundle (200×4)	4		
9	GB29.2-86-06016-C	Hexagon Inner Cross Bolt M6×16	2		
10	GB5789-86-06012-C	Hexagon Flange Bolt M6×12	1		
11	GB29.2-86-06020-C	Hexagon Inner Cross Bolt M6×20	2		

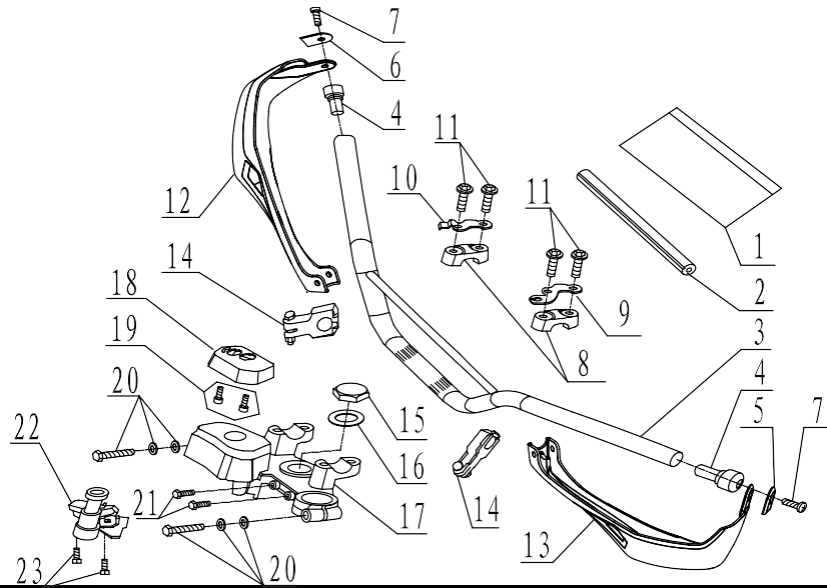


No.	Part Number	Description	Q'ty	Notes	Frame No.
1	391100-1680-00TY0000	Battery (12V/6AH)	1		
2	35130-151-0000	Negative Line	1		
3	314000-1360-02TY0000	Start Relay (State III, Combination Plug)	1		
4	31401-136-0000	Rubber Bush	1		
5	GB6170-86-06000-C	Hexagon Nut M6	2		
6	GB93-87-06000-C	Spring Washer 6	2		



No.	Part Number	Description	Q'ty	Notes	Frame No.
1	34001-136-0000	Jacket, Rocker	1		
2	341000-1800-00TY0000	Left Handlebar Switch	1		
3	342000-1800-00TY0000	Right Handlebar Switch	1		
4	34300-160-0000	Left Rocker, Handlebar	1		
5	62001-160-0000	Left Handlebar Grip	1		
6	62010-160-0000	Right Handlebar Grip	1		
7	62020-160-0000	Rocker Seat, Right Handlebar	1		
8	62210-160-0000	Throttle Cable	1		
9	62250-160-0000	Air Valve Cable	1		
10	62270-160-0000	Clutch Cable (L=1000mm; A+B=94mm)	1		
11	89100-160-0000	Rearview Mirrior, Left	1		
12	89200-160-0000	Rearview Mirrior, Right	1		
13	91165-HWY-P00	Boundle (120×10)	2		

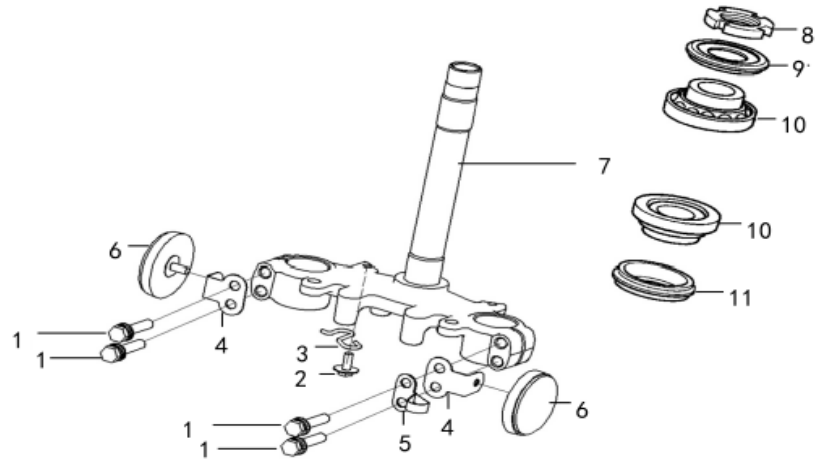
F8	<b>Handlebar</b>	TN200
----	------------------	-------



No.	Part Number	Description	Q'ty	Notes	Frame No.
1	55100-HYY-000RE1	Decor Cover, Handlebar	1		
2	53702-HYY-000	Handlebar Rubber (L=240mm)	1		
3	61103-160-0000	Handlebar	1		
4	62300-160-0000	Balance Block	2		
5	83346-160-0000	Decor Plate, Left Handlebar Cover	1		
6	83347-160-0000	Decor Plate, Right Handlebar Cover	1		
7	GB820-85-06050-G	Cross Head Bolt M6×50	2		
8	61102-160-0000	Securing Arch, Handlebar	2		
9	62251-160-0000	Air Valve Cable Bracket	1		
10	431001-1800-00TYOKB0	Oil Pipe Clip, Disc Brake	1		
11	GB5787-86-08035-B	Hexagon Flange Bolt M8×35	4		
12	831011-1800-00TY0-****	Right Cover, Handlebar	1	PLASTIC PART	
13	831010-1800-00TY0-****	Left Cover, Handlebar	1	PLASTIC PART	
14	83345-160-0000	Cassette, Handlebar Cover	2		
15	61121-168-0000	Top Nut	1		
16	61109-160-0000	Washer	1		
17	61101-160-0000	Triple Clamp	1		
18	61102-160-0000	Lock Cover	1		
19	GB5789-86-06025-C	Hexagon Flange Bolt M6×25	2		

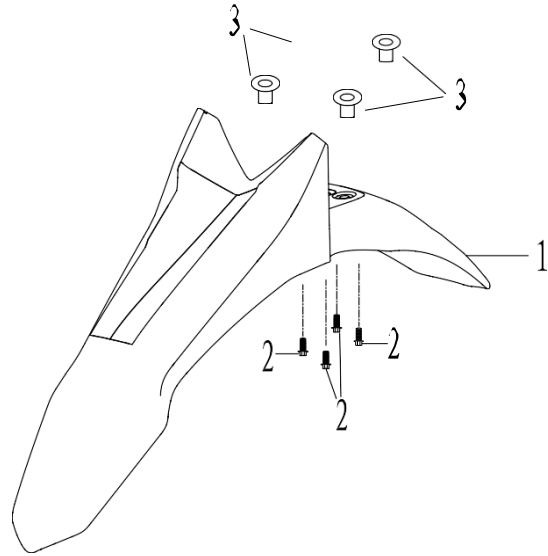
20	GB9074.17-88-08040-B	Bolt with Flat Washer M8×40	2		
21	GB70-85-08020-B	Inner Hexagon Round Head Bolt M8×20	2		
22	38000-160-0000	Lock Set	1		
23	GB5789-86-06025-G	Hexagon Flange Bolt M6×25	2		

F9	Steering Stem	TN200
----	---------------	-------



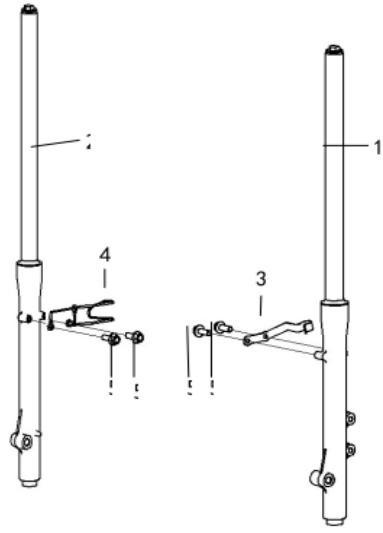
No.	Part Number	Description	Q'ty	Notes	Frame No.
1	GB9074.17-88-08040-C	Bolt with Spring Flat washer M8×40	4		
2	GB9074.25-88-06016-C	Hexagon Head Bolt with Flat Washer M6×16	1		
3	6202A-160-0000	Odometer Cable Clip	1		
4	3540A-160-0000	Bracket, Side Reflector	2		
5	45400-160-0000	Oil Pipe Clip, Disc Brake	1		
6	35400-136-0000	Side Reflector	2		
7	613000-1800-00TYOKB0	Steering Stem	1		
8	61108-160-0000	Adjusting Nut	1		
9	61111-160-0000	Anti-dust Washer, Steering Stem	1		
10	61106-160-0000	Steel Plate	2		
11	61104-160-0000	Bottom Washer, Steering Stem	1		

F10	Front fender	TN200
-----	--------------	-------



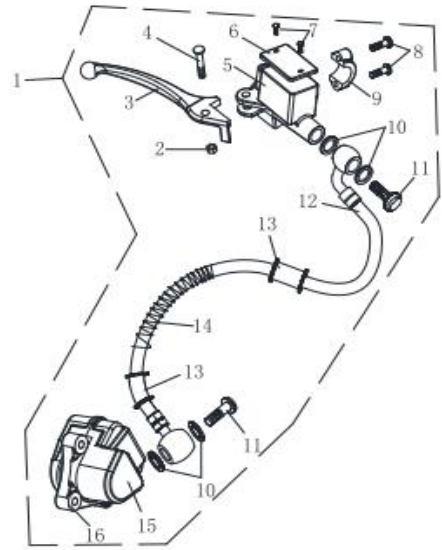
No.	Part Number	Description	Q'ty	Notes	Frame No.
1	831013-1800-00TY0-****	Front Mudguard	1	PLASTIC PART	
2	GB9074.25-88-06016-C	Hexagon Head Bolt with Flat Washer M6×16	4		
3	40511-HLT-P00	Bush, Battery Bracket	4		

F11	Front shock absorber	TN200
-----	----------------------	-------

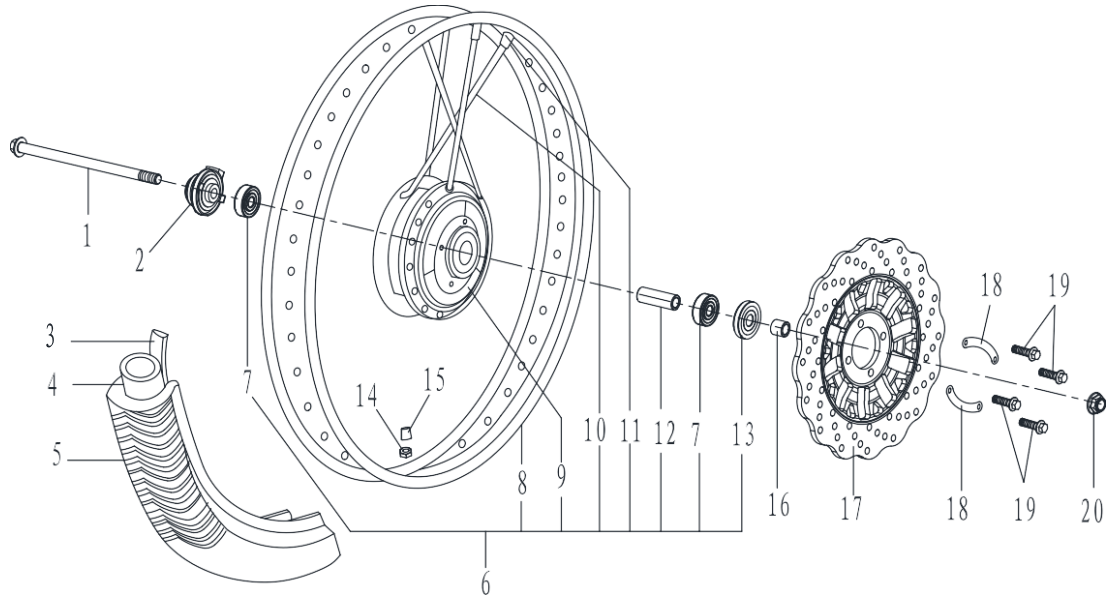


No.	Part Number	Description	Q'ty	Notes	Frame No.
1	54100-160-0000	Front left shock absorber	1		
2	54200-160-0000	Front right shock absorber	1		
3	43103-160-0000	Oil pipe clip, disc brake	1		
4	6202A-160-0100	Clip, odometer cable	1		
5	GB9074.17-88-06016-C	Bolt	4		

F12	Front brake	TN200
-----	-------------	-------



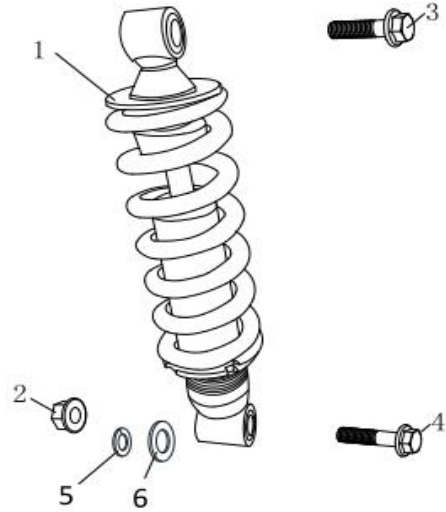
No.	Part Number	Description	Q'ty	Notes	Frame No.
1	43100-160-0000	Front Disc Brake	1		
2	GB6170-86-06000-G	Nut M6	1		
3	43101-160-0000	Disc Brake Rocker	1		
4	43102-160-0000	Connection Bolt, Rocker	1		
5	43110-160-0000	Upper Pump Shell, Disc Brake	1		
6	43103-160-0000	Oil Cylinder Cover	1		
7	GB819-85-04032-G	Cross Inner Head Screw M4x32	2		
8	GB5787-86-06012-G	Bolt M6x20	2		
9	43104-160-0000	Oil Box Lock Block, Disc Brake	1		
10	43105-160-0000	Vulcanization Washer	4		
11	43106-160-0000	Oil-taking Bolt	2		
12	43120-160-0000	Oil Pipe, Disc Brake	1		
13	43107-160-0000	Oil Pipe Fixing Rubber	2		
14	43108-160-0000	Protective Spring	1		
15	43130-160-0000	Lower Pump, Front Disc Brake	1		
16	43109-160-0000	Bracket, Lower Pump, Front Disc Brake	1		



No.	Part Number	Description	Q'ty	Notes	Frame No.
1	44301-HLWH-P00	Front Wheel Axle (φ12×210)	1		
2	44800-HLT-000	Accountor Seat	1		
3	44713-HYY-000	Front Tube Liner Band (21)	1		
4	44712-HYY-000	Front Tube (2.75-21)	1		
5	44711-HYY-000	Front Tyre (2.75-21 C858)	1		
6	41110-160-0000	Front Rim	1		
7	GB/T276-1994	Bearing 6301-RS	2		
8	41211-160-0000	Wheel Rim	1		
9	41112-160-0000	Wheel Hub	1		
10	41114-160-0000	Wheel Spokes	36		
11	41115-160-0000	Spoke Nuts	36		
12	41113-160-0000	Liner Tube	1		
13	GB/T 13871-1992	Oil Seal φ21×φ37×7	1		
14	41106-136-0000	Nut, Air Valve Mouth Cap	1		
15	41103-136-0000	Air Valve Mouth Cap	1		
16	41101-160-0000	Sleeve, Front Wheel Axle (φ12×φ20×18)	1		
17	43001-160-0000	Front Disc Brake Plate	1		

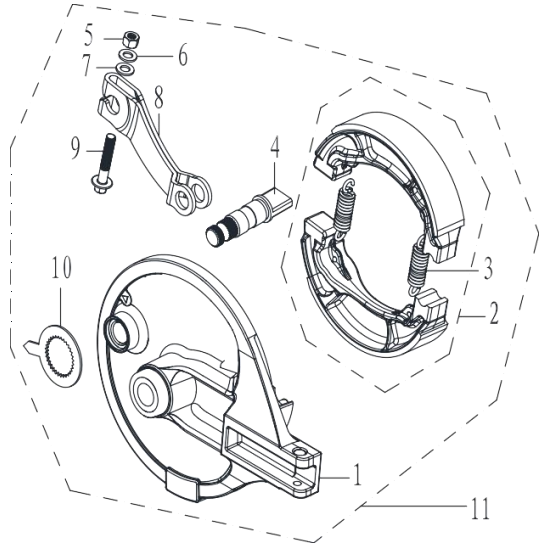
18	45353-HLT-P00	Clip, Front Disc Brake Plate	2		
19	GB5782-86-08028-C	Hexagon Bolt M8×28 (S=12)	4		
20	GB6187-86-12000-C	Hexagon Flange Self Locking Nut M12	1		

F14	Rear shock absorber	TN200
-----	---------------------	-------



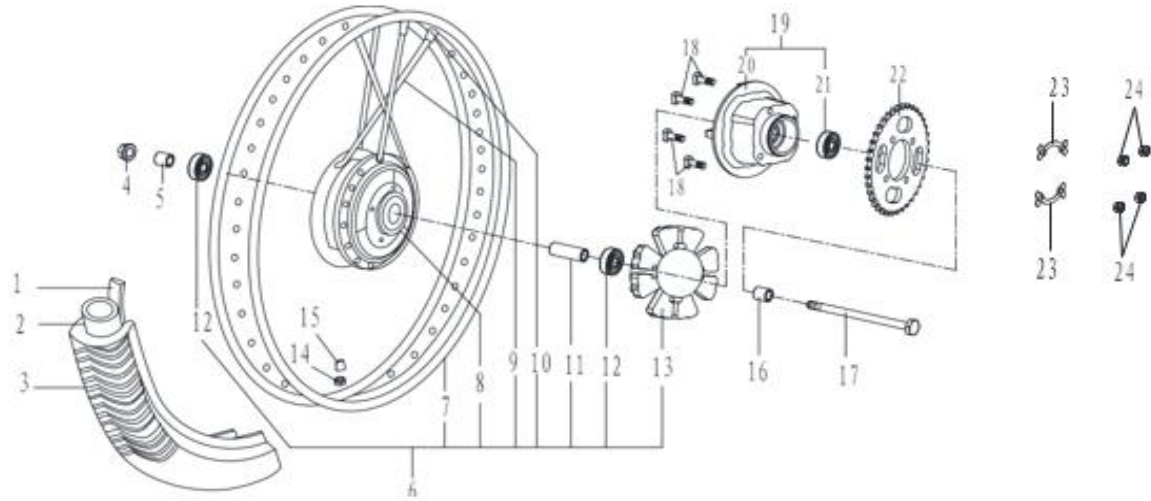
No.	Part Number	Description	Q'ty	Notes	Frame No.
1	53100-160-0000	Rear Shock Absorber	1		
2	GB6187-86-10000X-C	Hexagon Flange Nut M10×1.25	1		
3	GB5789-86-10055X-C	Hexagon Flange Bolt M10×1.25×55	1		
4	GB5789-86-10065X-C	Hexagon Flange Bolt M10×1.25×65	1		
5	GB93-87-10000-C	Spring Washer 10	1		
6	GB96-85-10000-C	Washer 10	1		

F15	Rear brake hub	TN200
-----	----------------	-------



No.	Part Number	Description	Q'ty	Notes	Frame No.
1	44201-160-0000	Rear Brake Drum	1		
2	4421A-160-0000	Brake Shoes	1		
3	44202-160-0000	Brake Spring, Brake Shoes	1		
4	44203-160-0000	Camshaft, Rear Brake	1		
5	GB/T6170-2000	Nut M6	1		
6	GB93-87-06000-B	Spring Washer 8	1		
7	GB97.1-85-06000-B	Washer 8	1		
8	44204-160-0000	Rear Brake Lever	1		
9	GB/T5787-2000	Bolt M6x35	1		
10	44205-160-0000	Pointing Washer	1		
11	44200-160-0000	Rear Brake Drum Comp.	1		

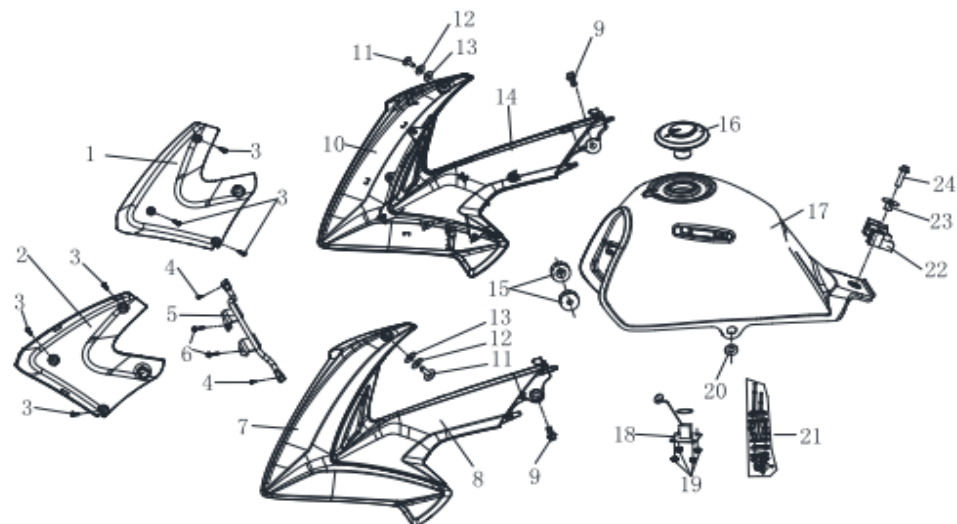
F16	Rear rim	TN200
-----	----------	-------



No.	Part Number	Description	Q'ty	Notes	Frame No.
1	42713-HYY-000	Rear Tube Tape (18)	1		
2	42712-HYY-000	Rear Inner Tube (4.10-18)	1		
3	42711-HYY-000	Rear Outer Tyre (4.10-18 C858S)	1		
4	GB6187-86-14000-C	Hexagon Flange Self Locking Nut M14	1		
5	41203-160-0000	Right Axle Sleeve, Rear Wheel (Color-zinc $\Phi 15 \times \Phi 28 \times 11$ )	1		
6	41210-160-0000	Rear Wheel	1		
7	41211-160-0000	Rear Wheel Rim	1		
8	41213-160-0000	Rear Wheel Hub	1		
9	41216-160-0000	Wheel Spokes	36		
10	41115-160-0000	Spokes Nuts	36		
11	41214-160-0000	Liner Tube	1		
12	GB/T276-1994	Bearing 6202-RS	2		
13	41217-160-0000	Rubber Cushion	1		
14	41106-136-0000	Nut, Air Valve Mouth Cap	1		
15	41103-136-0000	Air Valve Mouth Cap	1		
16	42315-HLWH-P00	Left Axle Sleeve, Rear Wheel (Color-zinc $\Phi 15 \times \Phi 28 \times 16$ )	1		

17	91102-160-0000	Rear Wheel Axle (Color-zinc $\Phi$ 15×265)	1		
18	90116-HLT-000-C	Sprocket Bolt M8×34	4		
19	41300-160-0000	Half Clutch	1		
20	41301-160-0000	Main Part, Half Clutch	1		
21	GB/T276-1994	Bearing 6204-RS	1		
22	41001-160-0000	Sprocket (50T)	1		
23	42102-HLT-P00	Semi-circular Clip	2		
24	GB6170-86-08000-C	Hexagon Nut M8	4		

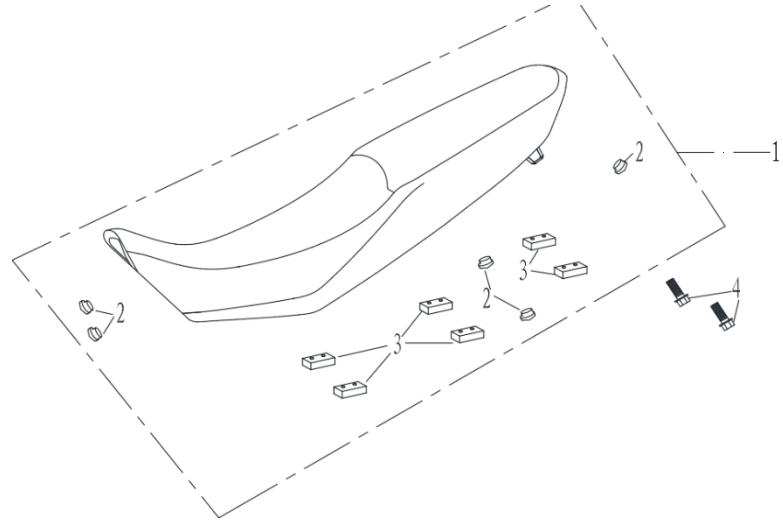
F17	Plastic parts	TN200
-----	---------------	-------



No.	Part Number	Description	Q'ty	Notes	Frame No.
1	831063-1800-00TY0B01	LEFT DECOR COVER, FUEL TANK	1		
2	831064-1800-00TY0B01	RIGHT DECOR COVER, FUEL TANK	1		
3	GB845-85-42012-C	SCREW	6		
4	GB9074.25-88.06012-C	HEXAGON HEAD BOLT	2		
5	520045-1800-00TY0KB0	BRACKET, FUEL TANK COVER	1		
6	GB5789-86-06012-C	HEXAGON FLANGE BOLT	2		
7	831017-1800-00TY-****	LEFT COVER, FUEL TANK	1	PLASTIC PART	
8	831020-1800-00TY-****	FRONT LEFT SIDE COVER	1	PLASTIC PART	
9	91133-168-0000-C	BOLT	2		
10	831018-1800-00TY-****	RIGHT COVER, FUEL TANK	1	PLASTIC PART	
11	91127-162-0000	HEXAGON FLANGE BOLT	2		
12	GB96-85-06000-C	WASHER	2		
13	914026-1430-00TY0000	RUBBER WASHER	2		
14	831024-1800-00TY-****	FRONT RIGHT SIDE COVER	1	PLASTIC PART	
15	81001-160-0000	FRONT RUBBER CUSHION, FUEL TANK	2		
16	38000-160-0000	LOCK SET	1		
17	811000-1800-00TY-****	FUEL TANK	1	PLASTIC PART	
18	17200-160-0000	FUEL SENSOR	1		
19	GB6177-86-06000-C	HEXAGON FLANGE NUT	4		

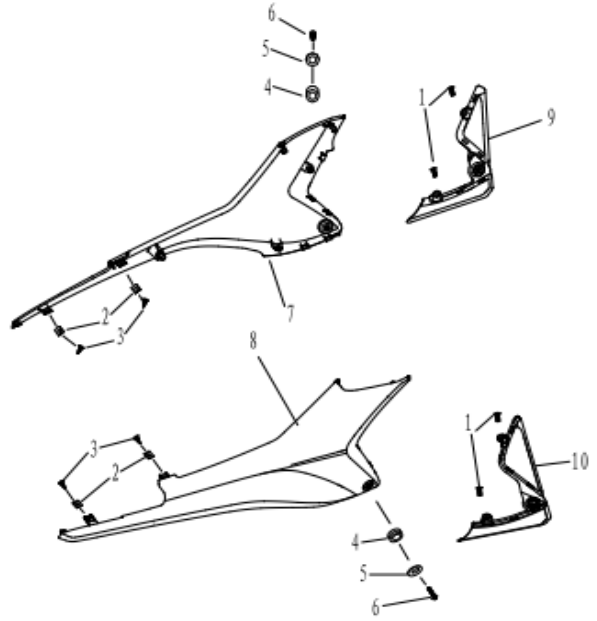
20	83005-136-0000	LOWER FIXING BUSH, SIDE COVER	2		
21	812000-1720-00TY0000	FUEL LOCK ASSY	1		
22	81002-160-0000	REAR RUBBER CUSHION, FUEL TANK	1		
23	17533-HCG-P00	REAR FIXING BUSH, FUEL TANK	1		
24	GB5789-86-08030-C	HEXAGON FLANGE BOLT	1		

F18	Seat pad	TN200
-----	----------	-------



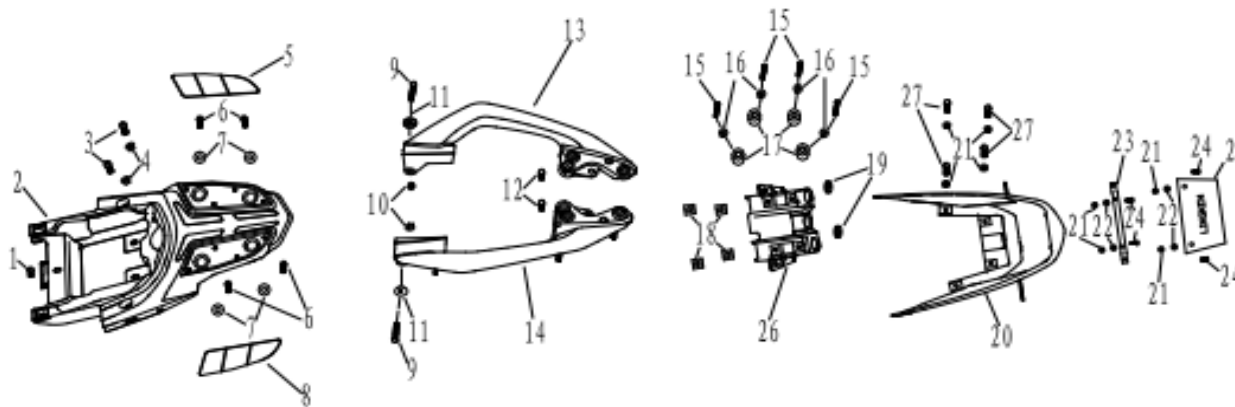
No.	Part Number	Description	Q'ty	Notes	Frame No.
1	711000-1800-00TY0	Seat Comp.	1		
2	711001-1800-00TY0000	Rubber Cushion I	5		
3	711002-1800-00TY0000	Rubber Cushion II	6		
4	GB9074.25-88-06016-C	Hexagon Flange Bolt M6×16	2		

F19	Side cover, rear part	TN200
-----	-----------------------	-------



No.	Part Number	Description	Q'ty	Notes	Frame No.
1	GB845-85-42012-G	Cross Head Self-lock Screw ST4.2×12	4		
2	90210-LGZ-000-G	Spring Clip M4	4		
3	GB845-85-42010-G	Cross Head Self-lock Screw ST4.2×10	4		
4	83005-136-0000	Lower Fixing Rubber, Side Cover	2		
5	GB96-85-06000-C	Washer 6	2		
6	91127-162-0001	Inner Pyramid Bolt M6×16	2		
7	831025-1800-00TY-****	Rear Left Side Cover	1	PLASTIC PART	
8	831025-1800-00TY-****	Rear Right Side Cover	1	PLASTIC PART	
9	831022-1800-00TY0B01	Decor Cover, Left Side Cover	1		
10	831026-1800-00TY0B01	Decor Cover, Right Side Cover	1		

F20	Rear carrier	TN200
-----	--------------	-------



No.	Part Number	Description	Q'ty	Notes	Frame No.
1	GB9074.25-88-06012-C	Hexagon Head Screw with Washer M6×12	1		
2	831031-1800-00TY0-****	Rear Carrier Cover	1	PLASTIC PART	
3	GB70-85-08020-C	Inner Hexagon Round Head Bolt M8×20	2		
4	61104-LGZ-000-G	Bush	2		
5	722002-1800-00TY0000	Right Protective Washer, Rear Carrier	1		
6	GB29.2-86-06016-C	Hexagon Inner Cross Bolt M6×16	4		
7	GB5287-86-06222-C	Special Washer Φ6×22×2	4		
8	722001-1800-00TY0000	Left Protective Washer, Rear Carrier	1		
9	GB5789-86-08060-C	Hexagon Flange Bolt M8×60	2		
10	GB6187-86-08000-C	Hexagon Flange Self-lock Nut M8	2		
11	92102-166-0000	Fixing Round Rubber, Tail Cover	2		
12	GB5787-86-08020-C	Hexagon Flange Bolt M8×20	2		
13	722200-1800-00TY0KY0	Rear Right Carrier	1		
14	722100-1800-00TY0KY0	Rear Left Carrier	1		
15	GB5789-86-06020-C	Hexagon Flange Bolt M6×20	4		