



NIPPONIA

ADV150



-  Gris
-  Negro
-  Blanco
-  Rojo

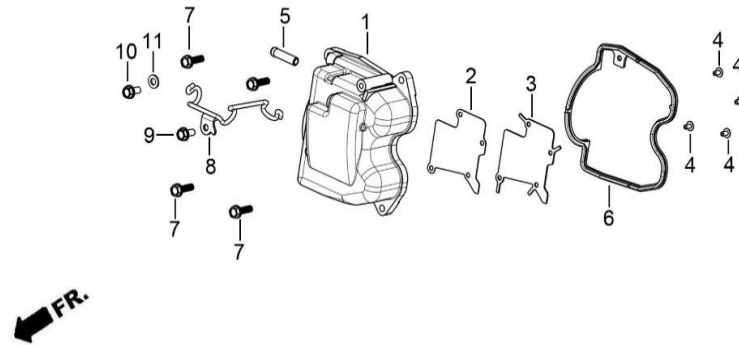
SPARE PARTS CATALOGUE

ver. 25.02

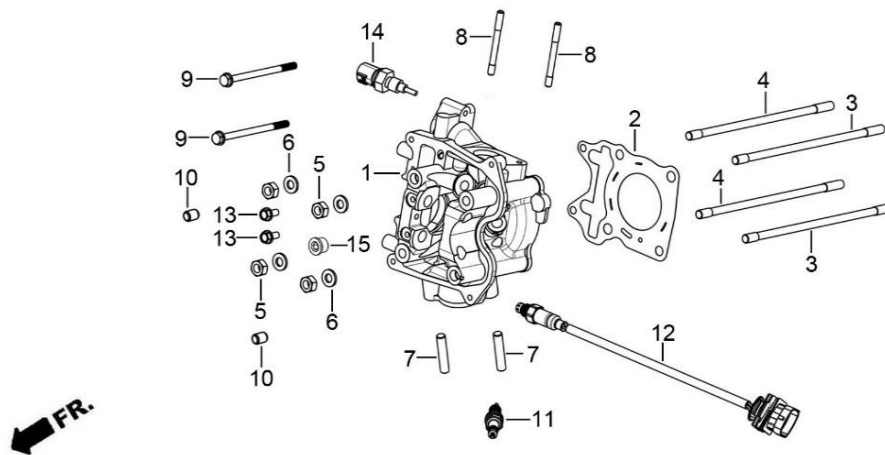
E-1

CYLINDER HEAD COVER

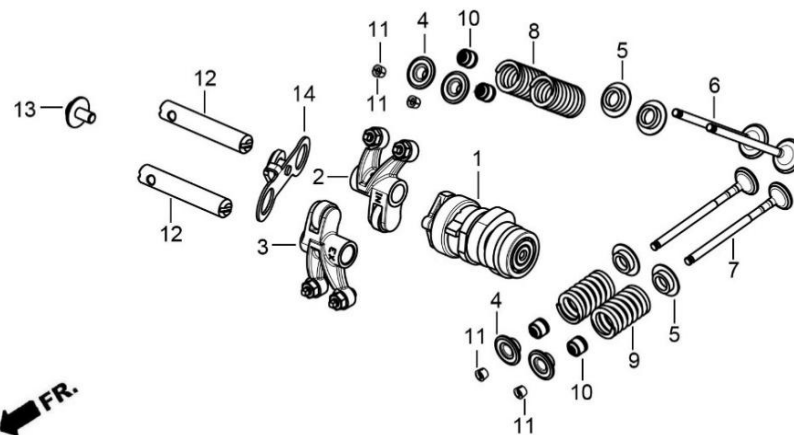
ADV150



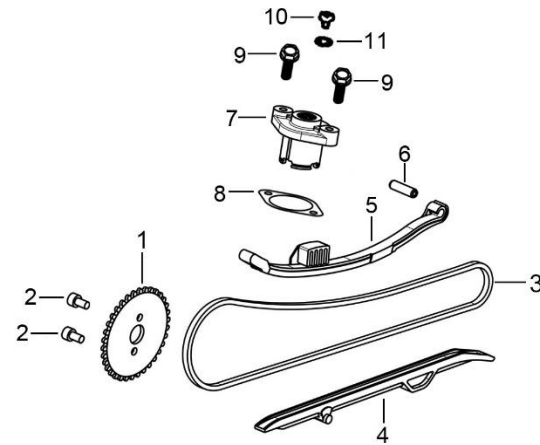
No	Part No	Part description	Q'ty	Notes	Frame No
1	EI154-50601A	COVER,CYLINDER HEAD	1		
2	EI154-50602	COVER PLATE GASKET	1		
3	EI154-50603	COVER PLATE	1		
4	W5313279	SCREW GB818-85M4*8, PLUS PAN	4		
5	EI008-53305A	CONNECTOR,BREATH TUBE	1		
6	EI154-50024C	GASKET,CYLINDER HEAD COVER	1		
7	EI154-64020	BOLT M6*22,HEX FLANGE	4		
8	TI0202-05020	HOLDER,BREATH TUBE	1		
9	EI997-50024A	BOLT M6*12, FLANGE	1	LARGE HEAD/CHROME PLATED	
10	EI004-53307	BOLT M6*14, FLANGE	1		
11	EN004-50035	WAHSER ϕ 6.5,COPPER	1		



No	Part No	Part description	Q'ty	Notes	Frame No
1	EJ081-50100C	HEAD COMP.,CYLINDER	1	EU5	
2	EJ081-50019B	GASKET,CYLINDER HEAD	1		
3	EI008-53001	BOLT A,CYLINDER STUD	2		
4	EI008-53002	BOLT B,CYLINDER STUD	2		
5	ELO21-50030	NUT,M8	4		
6	ELO21-50023	WASHER,8*16*2	4		
7	EG081-50106	BOLT, STUD	2		
8	EF001-53015	BOLT, STUD M6*58	2	(DACROMET)	
9	EI998-53008	BOLT, FLANGE M6*95	2		
10	EI008-50033	PIN,DOWEL, 10*14	2		
11	EN004-03100-0050	PLUG,SPARK	1		
12	TI0281-05400	SENSOR,OXYGEN	1	EU5	
13	EG001-51010	BOLT, M5*12	2		
14	TN0001-05600A	SENSOR,WATER TEMPERATURE	1	(LEAD TYPE PLUG)	
15	ELO21-50109	PLUG,SEALING SCREW M16*1.2	1		



No	Part No	Part description	Q'ty	Notes	Frame No
1	EI154-50200-0052	COMP.,CAMSHAFT	1		
2	EJ081-50300	ARM COMP.,INTAKE VALVE ROCKER	1		
3	EJ081-50400	ARM COMP.,EXHAUST VALVE ROCKER	1		
4	EI154-50014	SEAT,VALVE SPRING UPER	4		
5	EI154-50015	SEAT,VALVE SPRING LOWER	4		
6	EJ081-50002A	VALVE,INTAKE	2		
7	EJ081-50003A	VALVE, EXHAUST	2		
8	EI154-50004	SPRING,INTAKE VALVE	2		
9	EI154-50005	SPRING,EXHAUST VALVE	2		
10	EI154-50012	SEAL, VALVE STEM	4		
11	EI154-50010	COTTER,VALVE	8		
12	EI154-50028	SHAFT,ROCKER ARM	2		
13	EI154-50021	BOLT,CAMSHAFT STOPPER PLATE M6*12	1	(INCL. WASHER)	
14	EI154-50800	LIMIT PLATE ASSY	1		

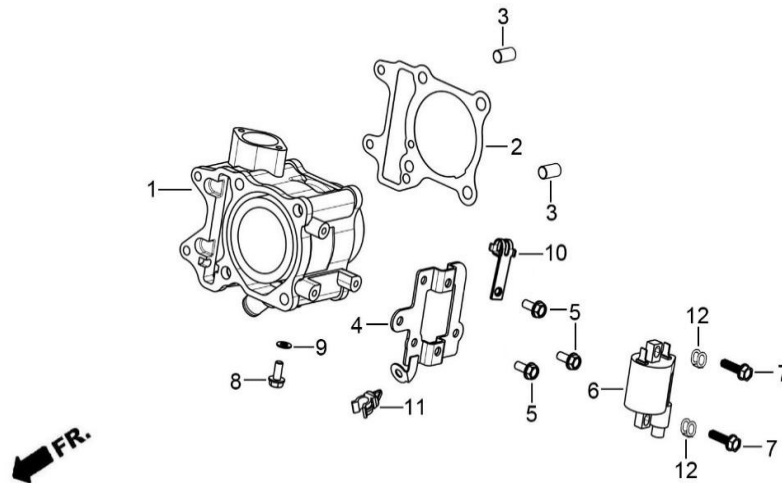


No	Part No	Part description	Q'ty	Notes	Frame No
1	EI154-51001	SPROCKET,TIMING CHAIN	1	(34T)	
2	EI154-51003	BOLT,HEXAGON SOCKET M5*9	2		
3	EI008-51002B	CHAIN,TIMING	1	(92 LINKS)	
4	EI154-51006	PLATE,CHAIN GUIDE	1		
5	EI154-51007	PLATE,CHAIN TENSIONING	1		
6	EI189-51008	PIN 6*21	1		
7	EI154-51200	TENSIONER COMP.	1		
8	NEI001-51013	GASKET,TENSIONER	1	150CC	
9	EI154-64022	BOLT, FLANGE M6*22	2		
10	NEI001-51016	PLUG,TENSIONER	1	150CC	
11	NEI001-51009	O-RING,9.5*1.5	1	(NBR)	

E-5

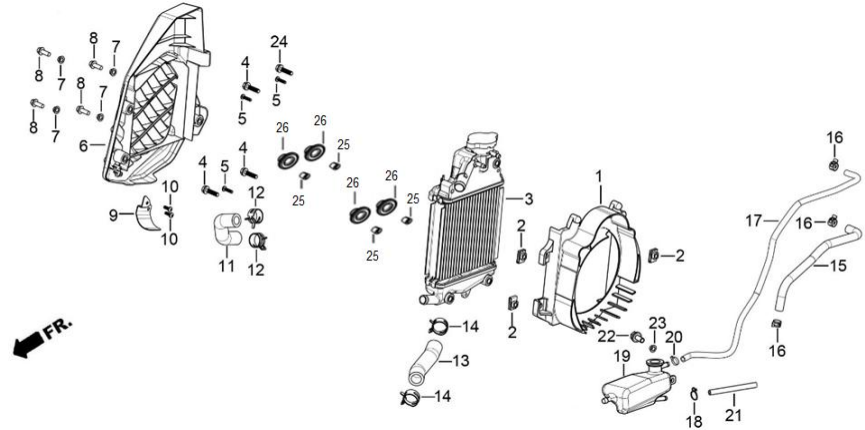
CYLINDER 150CC

ADV150



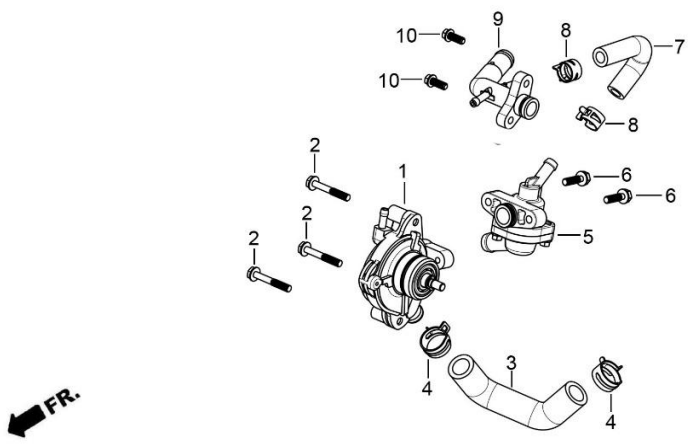
No	Part No	Part description	Q'ty	Notes	Frame No
1	EJ081-50700	COMP.,CYLINDER	1		
2	EI154-50011	GASKET,CYLINDER	1		
3	EI008-50033	PIN,DOWEL 10*14	2		
4	EI154-50037	HOLDER COMP.,IGNITION COIL	1		
5	EI004-53307	BOLT, FLANGE M6*14	3		
6	TI0202-81-0051	COIL,IGNITION	1		
7	EI154-64022	BOLT,HEX FLANGE M6*22	2		
8	EI004-53307	BOLT, FLANGE M6*14	1		
9	EN004-50035	WASHER,COPPER ϕ 6.5	1		
10	TI0202-81001	WASHER,I SHAPED	2		
11	EI154-50038	CLIP,ROTATING TUBE	1		
12	TI0202-81001	WASHER,I SHAPED	2		

E-6	RADIATOR	ADV150
------------	-----------------	---------------

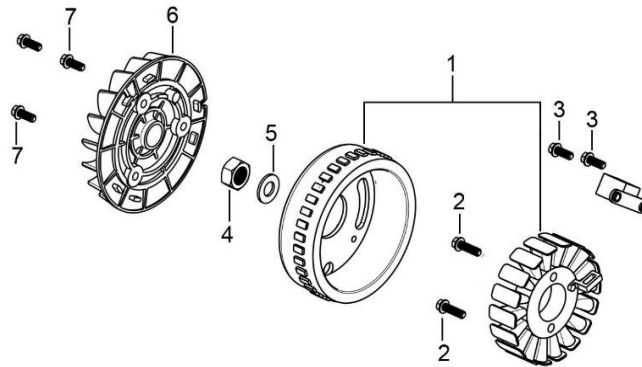


No	Part No	Part description	Q'ty	Notes	Frame No
1	EI189-64401A	COVER,RADIATOR INNER	1		
2	EI154-64017	NUT,CLIP	3		
3	EI204-64500A	RADIATOR ASSY.	1		
4	EI997-50028A	BOLT M6*28	3		
5	EI154-64016	SCREW,TAPPING ST4.2*15.5-F-H	3	(BLACK)	
6	EI154-64301	COVER,RADIATOR OUTER	1		
7	EI154-64304	BUSHING	4		
8	EI154-64018	BOLT, FLANGE M6*16 (BLACK)	4		
9	EI154-64302	SHIELD,MUFFLER HEAT	1		
10	EI154-64019	SCREW,TAPPING ST4.2*1.6-F-H	2	(SILVER)	
11	EI154-64001	PIPE,RADIATOR OUTLET	1		
12	EI154-64013	CLIP,PIPE Φ20	2		
13	EI189-64002	PIPE,RADIATOR INLET	1		
14	EI154-64010	CLIP,PIPE Φ22	2		
15	EI154-64005	PIPE,MEDIUM CIRCULATING	1		
16	EI154-64012	CLIP,PIPE Φ11	3		
17	TI0150-59003	PIPE,OVERFLOW	1		
18	TG0003-05006	CLIP,PIPE Φ11	1		
19	TI0202-64200	RESERVIOR ASSY.	1		
20	TI0150-59004	CLIP,PIECE TYPE (13*8)	1		
21	TN0001-64008	TUBE,BREATHE	1		
22	W5327002	BOLT GB5789-86 6*16	1		
23	ZJ0049-17006	PAD,FRONT MUDGUARD RUBBER	1		
24	EI204-64305	BOLT,RADIATOR OUTER COVER CONNECTING	1		
25	EI204-64501	BUSHING, RADIATOR ASSY.	4		
26	EI204-64502	RUBBER WASHER, RADIATOR ASSY.	4		

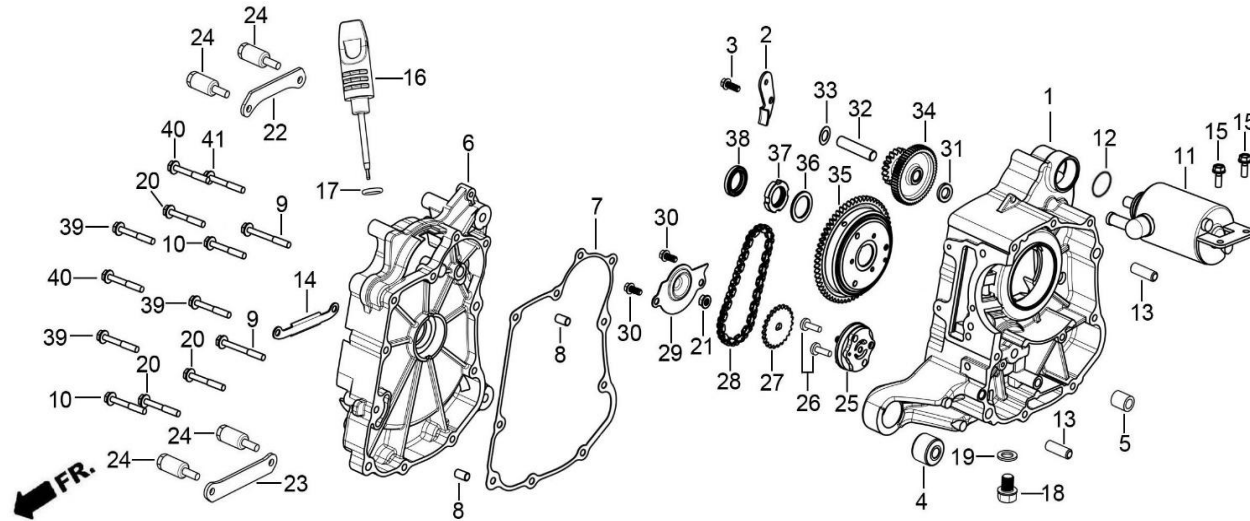
E-7	WATER PUMP	ADV150
-----	-------------------	---------------



No	Part No	Part description	Q'ty	Notes	Frame No
1	EI154-64100	PUMP ASSY.,WATER	1		
2	EG132-53504	BOLT,PAN M6*40	3		
3	EI154-64003	PIPE, WATER PUMP OUTLET	1		
4	EI154-64010	CLIP,PIPE Ø22	2		
5	EI154-64700	THERMOSTAT ASSY.	1		
6	W5326010	BOLT, FLANGE GB5787-86 6*25	2		
7	EI154-64004	PIPE,SMALL CIRCULATING WATER	1		
8	EI154-64011	CLIP,PIPE Ø16	2		
9	EI154-64800	BRACKET ASSY,WATER PIPE	1	(T WITH O-RING)	
10	EI154-64022	BOLT, FLANGE M6*22	2		
	EI154-64706	INTAKE PIPE O-RING			
	EI154-64109	PUMP SEAL RING			
	EI154-64803	WATER PIPE SEAL RING			



No	Part No	Part description	Q'ty	Notes	Frame No
1	EI189-84	GENERATOR ASSY.	1		
2	VGA001-05005	BOLT, FLANGE M6*25	2		
3	W5324001	BOLT, FLANGE M5*16	2		
4	NEI001-52006	NUT, FLANGE M12*1.25	1		
5	NEI001-52007	WASHER 12*24*2	1		
6	EI154-66100	FAN, COOLING	1		
7	NEI001-66001	BOLT, FLANGE 6*18	3		



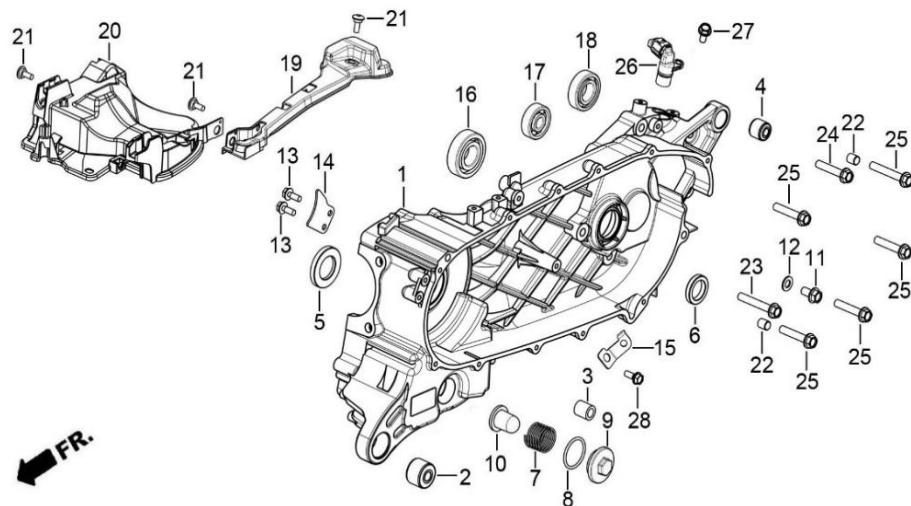
No	Part No	Part description	Q'ty	Notes	Frame No
1	EI189-53201	RIGHT CRANKCASE	1		
2	EI189-53203	BAFFLE, CHAIN	1		
3	EG001-53407	BOLT, FLANGE 6*16	1		
4	NEI001-53210	CUSHION COLLAR 10.2*28*22	1		
5	EI154-53105	BUSHING	1		
6	EI189-53411	COVER,RIGHT CRANKCASE	1		
7	EI189-53005	GASKET,RIGHT CRANKCASE COVER	1		
8	EG001-50025	PIN,DOWEL 8*14	2		
9	EN004-53012	BOLT M6*55	2	(BIG HEAD)	
10	EI154-53007	BOLT, FLANGE M6*130	2	(BIG HEAD)	
11	EI189-83-0050	MOTOR,STARTING	1		
12	EI997-83003	O-RING 24.4*3.2	1		
13	EI154-53009	PIN,DOWEL 10*30	2		
14	EI189-53017	PLATE, GENERATOR CRIMPING	1		
15	EG001-53407	BOLT, FLANGE M6*16	2	(BIG HEAD)	
16	EI154-53211	PLUG,OIL LEVEL	1		
17	NEI001-53505	O-RING 18*3	1		
18	EI997-53208-0050	DRAIN BOLT M12	1		
19	EG001-53304A	WASHER,ALUMINUM 20*12.5*1.5	1		
20	EI189-53007	BOLT, FLANGE M6*115	3	(BIG HEAD)	
21	NEI001-50038	NUT,FLANGE M6	1		
22	EI154-53215	PLATE 1,SUPPORTING	1		
23	EI154-53216	PLATE 2,SUPPORTING	1		
24	EI154-53217	BOLT M7, RADIATOR SUPPORTING	4		
25	EI995-61100-0051	OIL PUMP ASSEMBLY	1	(THE THICKNESS OF THE ROTOR IS 10MM)	

26	W5313210	SCREW,PLUS COUNTERSUNK HEAD GB819-85 6*30	2		
27	NEI001-61003	SPROCKET,OIL PUMP (GY6-125)	1		
28	NEI001-61005	CHAIN, OIL PUMP (44LINKSGY6-125)	1		
29	EG132-61111	SEPARATOR,OIL	1		
30	NEI001-53026	BOLT, FLANGE M6*12	2		
31	EI189-60008	COLLAR, DUAL GEAR	1		
32	NEI001-60006	SHAFT,STARTING REDUCING SPEED GEAR	1	150CC	
33	EI997-60009	WAHSER 10	1		
34	EI189-60007	GEAR,DUAL	1		
35	EI189-60100	CLUTCH ASSY.,OVERRUNNING	1		
36	NEI001-60008	WASHER 22*31*2	1		
37	EI041-60009	NUT,LOCKING M22*1	1		
38	NEI001-53230	SEAL,OIL 19.8*30*5	1	(VITON#6588)	
39	EI189-53008	BOLT, FLANGE M6*135	3	(BIG HEAD)	
40	EN004-53012	BOLT M6*55	2	(BIG HEAD)	
41	EH239-53007	BOLT, FLANGE M6*45	1	(BIG HEAD)	

E-10

LEFT CRANKCASE

ADV150



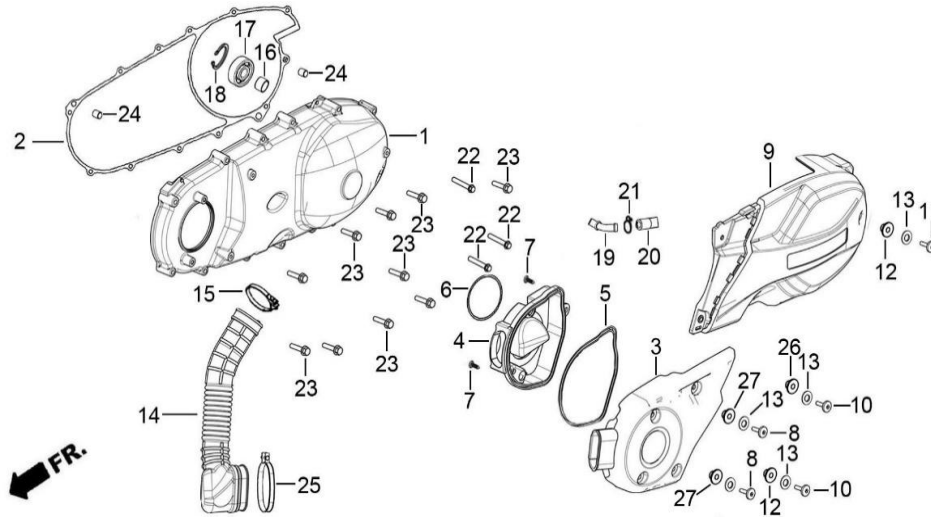
No	Part No	Part description	Q'ty	Notes	Frame No
1	EI189-53101	LEFT CRANKCASE	1	EU5	
2	NEI001-53210	SLEEVE,DAMPING 10.2*28*22	1		
3	EI154-53105	BUSHING	1		
4	NEI001-53220	SLEEVE,DAMPING 8.2*20*19	1		
5	EI154-53103	SEAL,OIL 26*45*6	1		
6	EI154-53104	SEAL,OIL 22*32*6	1		
7	EI998-53504	SPRING,OIL SCREEN	1		
8	EF001-50019A	O-RING	1		
9	EF001-500091	DRAIN BOLT	1		
10	EI997-53003A	SCREEN,OIL	1		
11	EI154-53106	BOLT,OIL FILLING M8*16	1		
12	EI154-53107	GASKET,COPPER 8.5*16*1.5	2		
13	EI154-53108	BOLT, FLANGE M6*16	2	(LARGE HEAD)	
14	EI154-53109	PLATE,BEARING PRESSURE	1		
15	ZL0004-02730	BRACKET,THROTTLE CABLE	1		
16	W5016185	BEARING 62/22	1		
17	W5010360	BEARING 6301	1		
18	W5016184	BEARING 6004	1		
19	TI0202-05040	COVER,VEHICLE SPEED SENSOR OUTER	1	EU5	
20	EI189-64601	HOOD,AIR GUIDE	1		
21	EI154-64021	BOLT,HEXAGON SOCKET ROUND M6x14	3		
22	EI004-50025	PIN,DOWEL 10*12	2		
23	EG132-53009	BOLT, FLANGE M8*55	1		
24	EN004-53014	BOLT M8*60	1		
25	EI154-53011	BOLT, FLANGE M8*45	5		
26	EI154-18300-0050	SENSOR,VEHICLE SPEED	1	EU5	

27	EG001-50020	BOLT, FLANGE 6*20	1		
28	EI004-53307	BOLT, FLANGE M6*14	1		

E-11

LEFT CRANKCASE COVER

ADV150



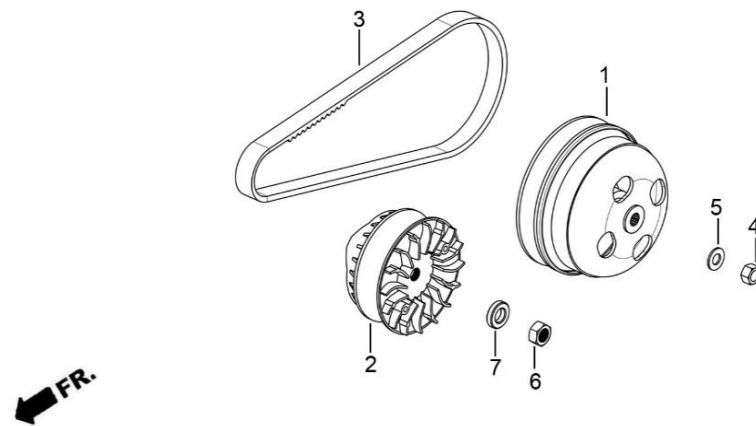
No	Part No	Part description	Q'ty	Notes	Frame No
1	EI154-53301A	COVER,LEFT CRANKCASE	1		
2	EI154-53004	GASKET,LEFT CRANKCASE COVER	1		
3	EI154-53311B	COVER,INLET COVER OUTER	1		
4	EI154-53312B	COVER,INLET COVER INNER	1		
5	EI154-53314	STRIP A,RUBBER SEALING	1		
6	EI154-53315	STRIP B,RUBBER SEALING	1		
7	EI154-64019	SCREW,TAPPING ST4.2*1.6-F-H	2	(SILVER WHITE)	
8	ZGK998-010992-0060	SCREW,STAINLESS HEXAGON SOCKET HEAD 6*33	2		
9	EI154-53321B-EL	SHIELD,LEFT CRANKCASE COVER	1	(MH)	
10	GDA001-175100	SCREW,STAINLESS HEXAGON SOCKET PAN HEAD M6*20	2		
11	GDA001-175100	SCREW,STAINLESS HEXAGON SOCKET PAN HEAD M6*20	1		
12	TJ0039-05006	BUSHING	2	(6mm)	
13	NW5361103	WASHER 6*16*1	5	CP	
14	TJ0039-05003	PIPE,LEFT CRANKCASE COVER HIGH INTAKE	1		
15	TI0125-05005	BAND	1		
16	EI154-53305A	SLEEVE,COPPER	1		
17	W5010243	BEARING 6002LLU	1		
18	W5372129	CIRCLIP GB/T893.1/φ32	1		
19	EI154-53302	JOINT,DRAIN PIPE	1		
20	EI154-53308	DRAIN PIPE	1	(TRANSPARENT)	
21	TG0003-05006	CLIP φ11	1		
22	EF001-53015	BOLT 6*50	3		
23	EF001-53019	BOLT 6*40	10		
24	EG001-50025	PIN,DOWEL 8*14	2		
25	TI0202-05030	CLAMP COMP.	1		

26	TJ0039-05007	BUSHING	1	9mm	
27	TJ0039-05008	BUSHING	2	20mm	

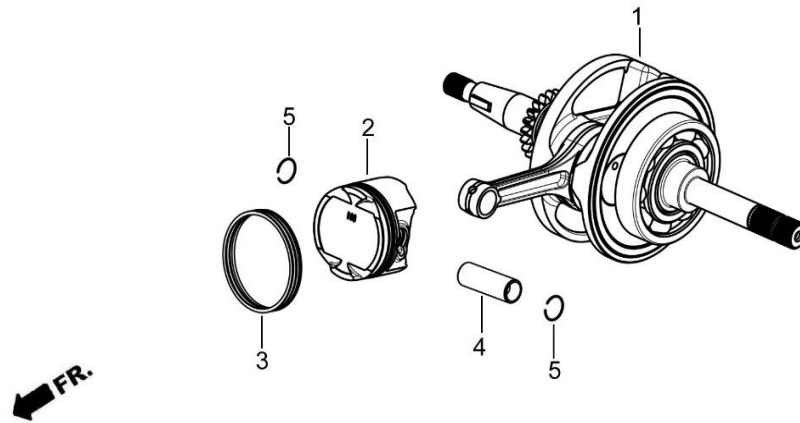
E-12

DRIVING BELT

ADV150



No	Part No	Part description	Q'ty	Notes	Frame No
1	EJ104-58100	PULLEY ASSY, BELT	1		
2	EI204-58200	DISK ASSY, DRIVE	1		
3	EJ104-58001	BELT, DRIVING	1		
4	EN004-58002	NUT, TIGHTENING M12	1		
6	NEI001-52007	WASHER 12*24*2	1		
5	EI154-52005	NUT, HEX M14*1.5	1		
7	EI154-52006	COLLAR 15.2*29*4.5	1		

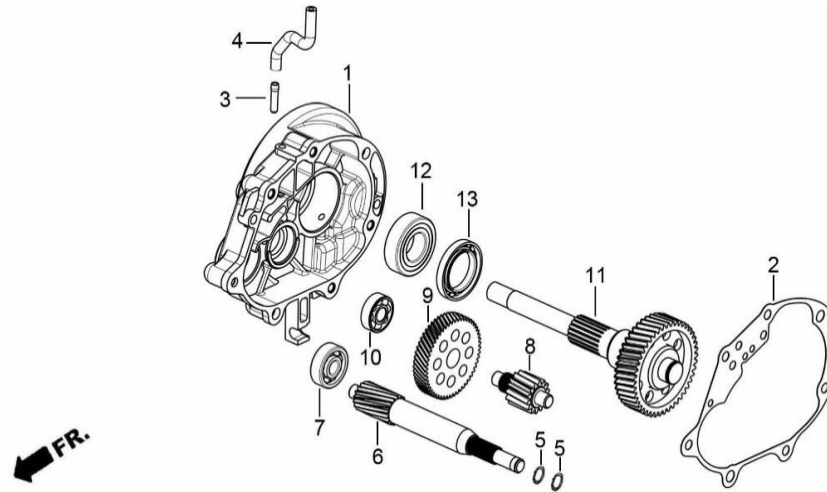


No	Part No	Part description	Q'ty	Notes	Frame No
1	EI189-52100	CRANK ROD ASSY	1		
2	EJ081-52001	PISTON	1		
3	EJ081-52200-0051	PISTON RING SET	1	(RIK LOW TENSION PVD)	
4	EI154-52002	PIN,PISTON	1		
5	EI154-52003	RETAINER,PISTON RING	2		

E-14

GEARBOX COVER/TRANSMISSION

ADV150

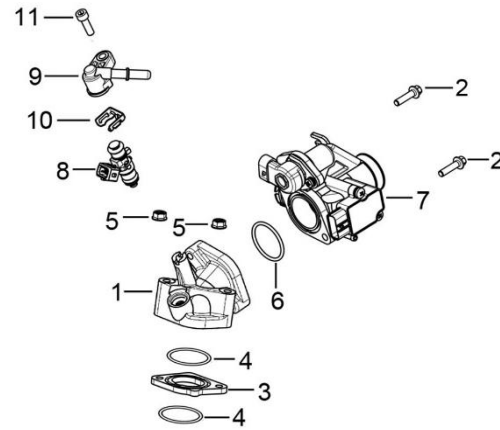


No	Part No	Part description	Q'ty	Notes	Frame No
1	EI154-53501	COVER,GEAR BOX	1		
2	EI154-53006	GASKET,GEARBOX COVER	1		
3	EI154-53502	JOINT,BREATHE TUBE	1		
4	EI154-53504	TUBE,GEARBOX COVER BREATHE	1		
5	NEI001-53242	O-RING 7.5*1.5(NBR)	2		
6	EI154-55101	DRIVING MAINSHAFT	1		
7	W5010360	BRARING 6301	1		
8	EI154-55301	MIDIUM SHAFT	1		
9	EI154-55302	BIG GEAR,MIDIUM SHAFT	1		
10	W5010361	BEARING 3201	1	(IMPORTED STEEL BALL)	
11	EI154-55400	FINAL SHAFT ASSY	1		
12	W5016322	BEARING 6205LUU	1		
13	EI154-53503	SEAL,OIL 34*52*7	1		

E-15

INTAKE MANIFOLD

ADV150

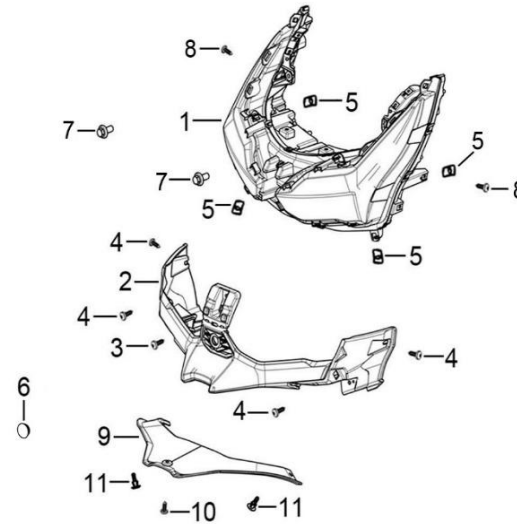


No	Part No	Part description	Q'ty	Notes	Frame No
1	TI0281-05300	INTAKE MANIFOLD ASSY	1		
2	VGA001-05004	BOLT, FLANGE 6*25	2		
3	TI0202-05001	PANEL,INSULATION	1		
4	TI0202-05002	O_RING	2		
5	NEI001-50038	NUT,FLANGE M6	2		
6	TI0251-05001	O_RING 35*2.2	1		
7	TJ0041-69000B-0050	VALVE ASSY,THROTTLE	1	30mm	
8	TI0281-05700	INJECTOR UNIT	1	G06	
9	TI0281-05010	COVER,INJECTOR	1		
10	TI0130-05009	CLIP INJECTOR	1		
11	VGA001-05004	BOLT, FLANGE 6*25	1		

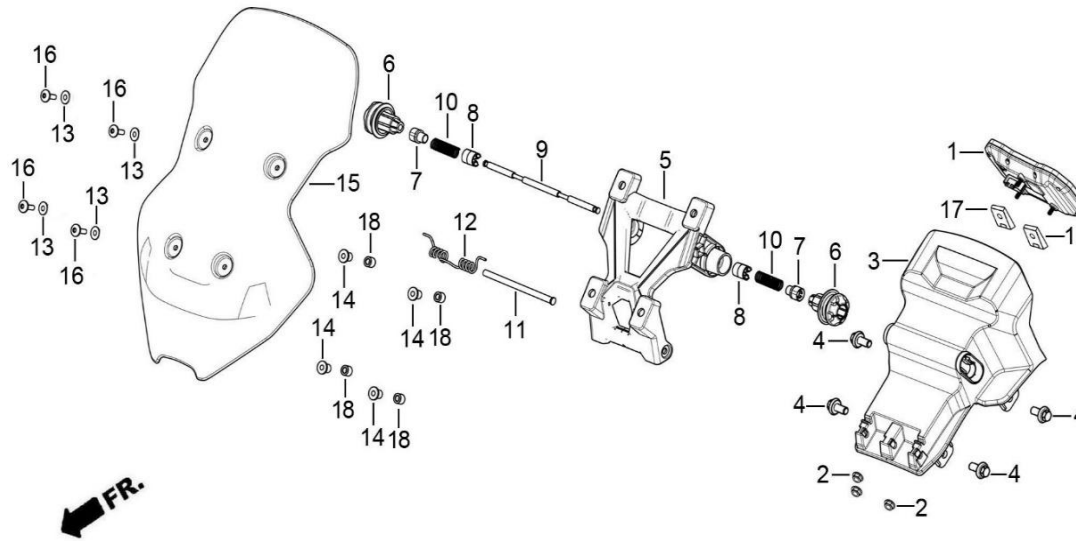
F-1

HEADLIGHT

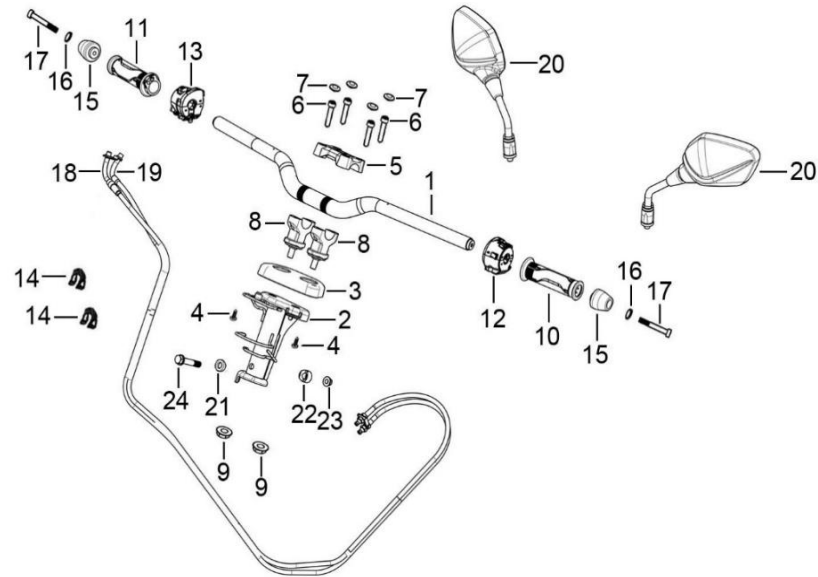
ADV150



No	Part No	Part description	Q'ty	Notes	Frame No
1	TJ0039-72-0051	HEADLAMP	1	CCC/E-Mark	
2	TJ0039-17923A	SHIELD,HEADLAMP FRONT	1		
3	W5314101	SCREW,TAPPING GB5285-85 3.9*12	1		
4	NW5311317	SCREW,TAPPING ST4.8*12	4		
5	TG0003-17905A	CLIP,SPRING	4		
6	TJ0039-17007	COVER,CAMERA RUBBER	1		
7	W5327002	BOLT GB5789-86 6*16	2		
8	NW5311317	SCREW,TAPPING ST4.8*12	2		
9	TJ0039-17924	SHIELDE,HEADLAMP LOWER	1		
10	NW5311317	SCREW,TAPPING ST4.8*12	1		
11	TN0004-17120	BOLT,EXPANSION	2		

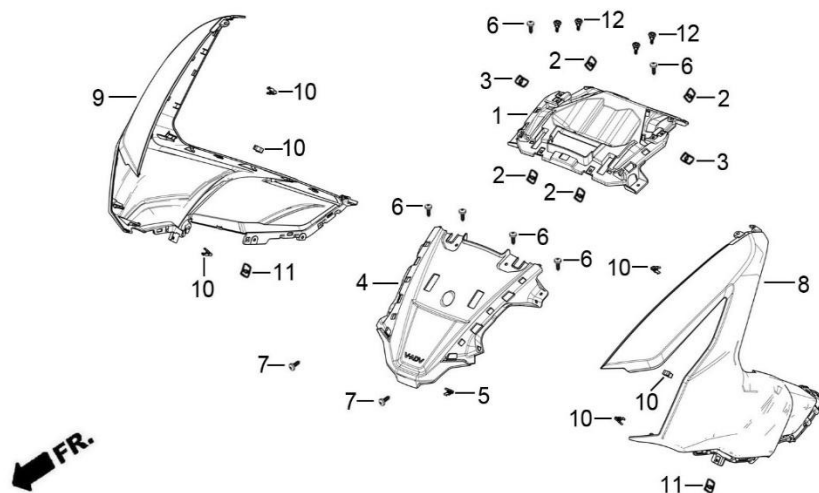


No	Part No	Part description	Q'ty	Notes	Frame No
1	TJ0067-87-0050	METER ASSY.	1	EU5	
2	NW5331308	NUT,HEX FLANGE M6	3		
3	TJ0039-17701A	COVER,METER	1		
4	VGB001-01116	BOLT, FLANGE M6*16	4		
5	TJ0039-04302A	BRACKET,WINDSCREEN	1		
6	TJ0039-04303-0050	COVER,WINDSCREEN ADJUSTING BUTTON OUTER	2		
7	TJ0039-04304	COVER,WINDSCREEN ADJUSTING BUTTON INNER	2		
8	TJ0039-04305	FIXTURE,WINDSCREEN ADJUSTING PIVOT	2		
9	TJ0039-04308	PIVOT,ADJUSTING	1		
10	TJ0039-04309	SPRING,ADJUSTING PIVOT	2		
11	TJ0039-04311	PIVOT	1		
12	TJ0039-04312A	SPRING,PIVOT TWISTING	1		
13	VI0149-01099A	WASHER,NYLON 12*6*1.5	4		
14	TJ0039-17006	NUT,WINDSCREEN RUBBER	4		
15	TJ0039-04301	WINDSCREEN	1		
16	GDA001-175100	BOLT, HEXAGON PAN SOCKET HEAD M6*20	4		
17	TJ0039-17015	BLOCK,METER CUSHION	2		
18	TJ0039-17010	BUSHING	4		

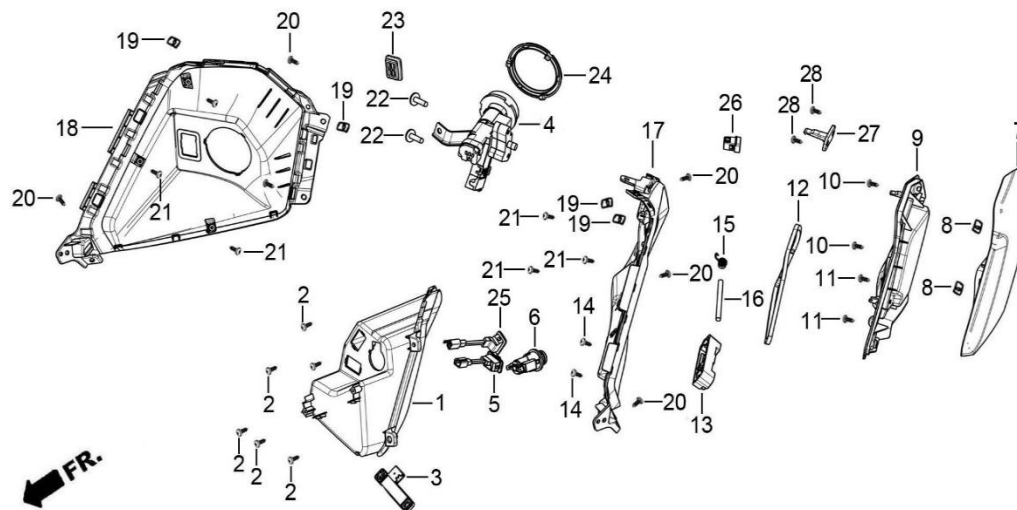


No	Part No	Part description	Q'ty	Notes	Frame No
1	TJ0067-11100-16	HANDLEBAR ASSEMBLY	1	(SILVER WHITE)	
2	TJ0039-11200-0229	PIPE ASSY.,HANDLEBAR CONNECTING	1		
3	TJ0039-17702-MN	COVER,HANDLEBAR TRIM	1	(SILVER)	
4	NW5311311	SCREW,TAPPING ST4.2*12(φ11)	2		
5	TJ0039-14002A	SEAT,HANDLEBAR UPPER	1		
6	ZI0018-01001	SCREW,STAINLESS SOCKET M8*28	4		
7	ZI0015-03009	PLUG,SOCKET HEAD	4		
8	TJ0039-14003A	SEAT,HANDLEBAR LOWER	2		
9	NW5331204	NUT,SELF LOCKING M10*1.25	2		
10	ZH0020-11001	RUBBER,LEFT HANDLEBAR	1		
11	TI0202-11400	RUBBER,RIGHT HANDLEBAR	1		
12	TJ0063-74600	SWITCHES, LEFT HANDLEBAR	1		
13	TJ0063-74700-0050	SWITCHES, RIGHT HANDLEBAR	1	EU5	
14	ZI0038-17017	BAND II, RUBBER	2		
15	EF997-53017	END	2		
16	VI0149-01099A	WASHER,NYLON 12*6*1.5	2		
17	W5326295	BOLT, HEX SOCKET STAINLESS GB/T70-85/M6*35	2		
18	TJ0065-12510-0050	CABLE,THROTTLE VALVE MAIN	1		

19	TJ0065-12520-0050	CABLE,THROTTLE VALVE AUXILARY	1		
20	TI0202-10	MIRROR,BACK VIEW (SET)	1		
21	TN0001-01006	SLEEVE, FIXING	1		
22	VGA001-01005	BUSHING, FIXING	1		
23	VGA001-01114	NUT,LOCKING M10*1.25	1		
24	VGA001-01115A	BOLT,CONNECTING	1		

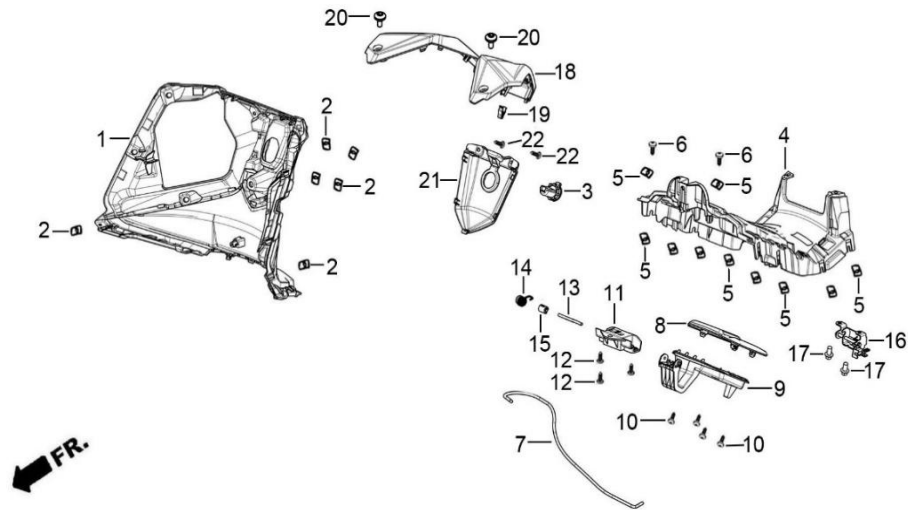


No	Part No	Part description	Q'ty	Notes	Frame No
1	TJ0039-17922A	TOP,FRONT PANEL	1		
2	TG0003-17905A	CLIP,SPRING	4		
3	VGA001-011061	NUT,CLAMPING M5 (OPENING SIZE IS 1.8)	2		
4	TJ0039-17921-EL	PANEL,FRONT	1		
5	TI0202-17105	CLIP,PLASTIC	1		
6	NW5311317	SCREW,TAPPING ST4.8*12	6		
7	W5314101	SCREW,TAPPING ST3.9*12	2		
8	TJ0039-17931-ZL	COWL,LEFT FRONT (GREY)	1		
8	TJ0039-17931-NV	COWL,LEFT FRONT (WHITE)	1		
9	TJ0039-17932A-ZL	COWL,RIGHT FRONT(GREY)	1		
9	TJ0039-17932A-NV	COWL,RIGHT FRONT (WHITE)	1		
10	TI0202-17105	CLIP,PLASTIC	6		
11	VGA001-011061	NUT,CLAMPING M5 (OPENING SIZE IS 1.8)	2		
12	TN0004-17120	BOLT,EXPANSION	4		

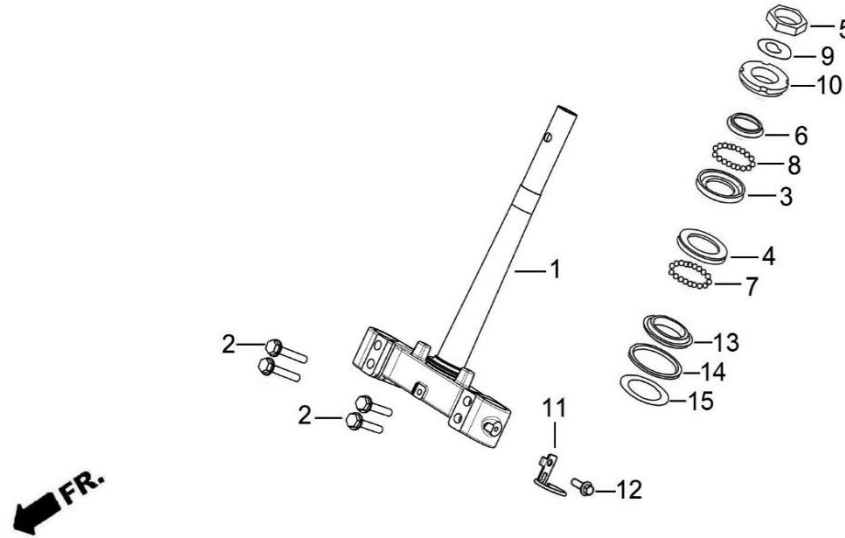


No	Part No	Part description	Q'ty	Notes	Frame No
1	TJ0039-17305	BOX,LEFT TOOLS	1		
2	NW5311311	SCREW,TAPPING ST4.2*12(ϕ 11)	6		
3	TN0005-73700	ANTENNA,EXTERNAL	1		
4	TJ0039-73100	SWITCH,IGNITION	1		
5	TG0003-74800B	SWITCH,ANTI-THEFT	1		
6	TN0001-51	LIGHTER,CIGARETTE	1		
7	TJ0039-17311A-QL	CAP,TOOLBOX	1	(MD GREY)	
8	TG0003-17905A	CLIP,SPRING	2		
9	TJ0039-17312A	LINING,TOOLBOX CAP INNER	1		
10	NW5311311	SCREW,TAPPING ST4.2*12(ϕ 11)	2	(ϕ 11)	
11	NW5311317	SCREW,TAPPING ST4.8*12	2		
12	TJ0039-17310	STRIP,TOOLBOX SPONGE	1		
13	TJ0039-17313	PLATE,TOOLBOX HINGE PRESS	1		
14	NW5311311	SCREW,TAPPING ST4.2*12(ϕ 11)	2	(ϕ 11)	
15	TJ0039-17309	SPRING,TOOLBOX HINGE TWIST	1		
16	TI0202-02608	PIVOT,TOOLBOX HINGE	1		
17	TJ0039-17303-QL	COVER,LEFT TOOLBOX	1	(MD GREY)	
18	TJ0039-17304-QL	COVER,RIGHT TOOLBOX	1	(MD GREY)	
19	TG0003-17905A	CLIP,SPRING	4		
20	NW5311311	SCREW,TAPPING ST4.2*12(ϕ 11)	6	(ϕ 11)	
21	NW5311317	SCREW,TAPPING ST4.8*12	6		

22	EH049-61004	SCREW,CROSS RECESSED COUNTERSUNK HEAD	2		
23	TJ0067-17006	PLUG,START STOP SWITCH	1		
24	TN0001-17318-MN	COVER,LOCK COMBINATION TRIM	1	(SILVER)	
25	TJ0039-74800	SWITCH, ALWAYS ON	1		
26	TI0202-17308	SWITCH COMP.,TOOLBOX	1		
27	TJ0039-17308	HOOK	1		
28	W5312203	STAINLESS STEEL INNER HEXAGON SCREW	2		



No	Part No	Part description	Q'ty	Notes	Frame No
1	TJ0039-17301	TOOLBOX BODY	1		
2	TG0003-17905A	CLIP,SPRING	6		
3	TN0003-98	USB CHARGING JACK	1		
4	TJ0039-17302B	PART,TOOLBOX BODY LOWER	1		
5	TG0003-17905A	CLIP,SPRING	10		
6	NW5311317	SCREW,TAPPING ST4.8*12	2		
7	TJ0039-12900	CABLE,FUEL TANK CAP	1		
8	TJ0039-17314	CAP,FILL-IN PORT	1		
9	TJ0039-17315A	LINING,FILL-IN PORT CAP INNER	1		
10	NW5311311	SCREW,TAPPING ST4.2*12(φ11)	4		
11	TJ0039-17316	PLATE,FILL-IN PORT HINGE CONNECTING	1		
12	NW5311311	SCREW,TAPPING ST4.2*12(φ11)	3		
13	TJ0039-02601	SHAFT,FILL-IN PORT COVER	1		
14	TJ0039-17318	SPRING,FILL-IN PORT COVER TWIST	1		
15	TJ0039-17319	DAMPER	1		
16	TJ0039-02240A	HOOK ASSY.,FUEL TANK LOCK	1		
17	NW5311311	SCREW,TAPPING ST4.2*12(φ11)	2		
18	TJ0039-17306-MN	UPPER PART,TOOLBOX TRIM COVER	1	(SILVER)	
19	TI0202-17105	CLIP,PLASTIC	1		
20	ZL0004-17107	SCREW,FUEL TANK COVER TIGHTENING	2		
21	TJ0039-17307-MN	LOWER PART,TOOLBOX TRIM COVER	1	(SILVER)	
22	NW5311317	SCREW,TAPPING ST4.8*12	2		

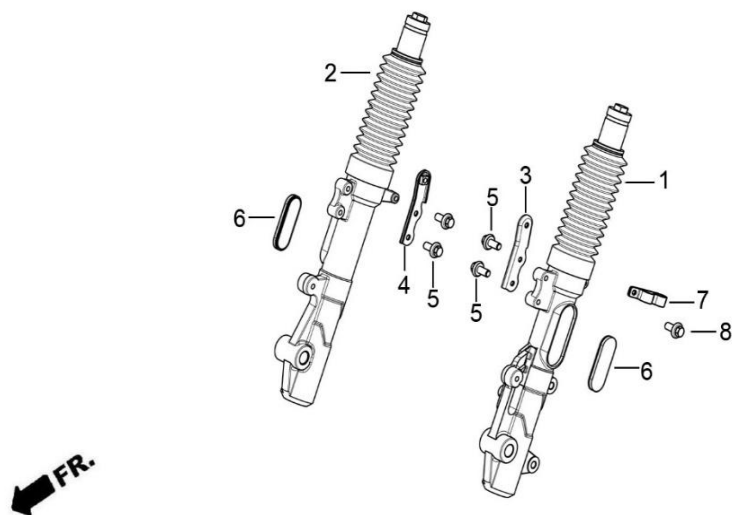


No	Part No	Part description	Q'ty	Notes	Frame No
1	TJ0039-14100	STEERING STEM ASSY.	1		
2	W5326116	BOLT GB5789/M10*1.25*45	4	COLOR/S14	
3	VGA001-14202-0051	RACE,BEARING UPPER	1		
4	VGA001-14203-0051	RACE,BEARING LOWER	1		
5	VGA001-14001	NUT, STEERING STEM LOCKING	1		
6	VGA001-14201-0050	RING,UPPER BEARING RETAINING	1		
7	VGA001-14300-0050	RETAINER COMP.	1		
8	VGA001-14400-0050	RETAINER A	1		
9	VHC997-14150A	GASKET,LOCKING	1		
10	VGA001-14002	NUT, STEERING STEM TURNING	1		
11	TJ0039-02250A	HOLDER,BRAKING PIPE	1		
12	VH0070-01001	SCREW,HEX SOCKET ROUND HEAD M6X12	1		
13	VGA001-14007	RING,LOWER BEARING RETAINING	1		
14	VGA001-14008	SEAL,STEERING STEM DUST	1		
15	VGA001-14009	PAD,STEERING STEM DUST SEAL	1		

F-8

FRONT SHOCK ABSORBER

ADV150

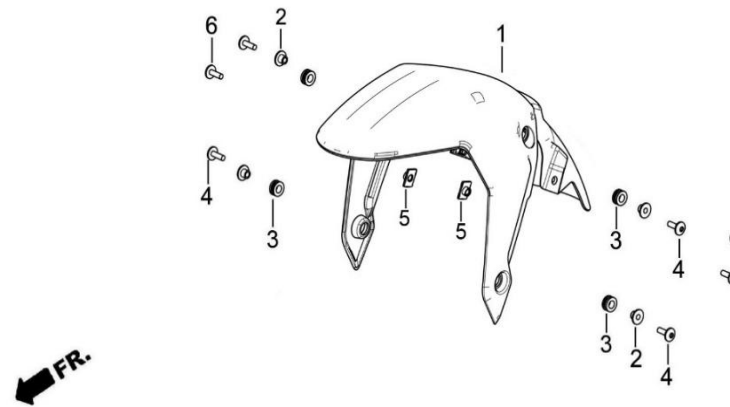


No	Part No	Part description	Q'ty	Notes	Frame No
1	TJ0039-14300A	ABSORBER,LEFT FRONT SHOCK	1		
2	TJ0039-14400A	ABSORBER,RIGHT FRONT SHOCK	1		
3	TJ0039-02170	SUPPORT COMP.,FRONT MUDGUARD LEFT ADAPTER	1		
4	TJ0039-02180	SUPPORT COMP.,FRONT MUDGUARD RIGHT ADAPTER	1		
5	W5327002	BOLT GB5789-86 6*16	4		
6	TI0239-17160A	REFLECTOR,SIDE	2		
7	TJ0039-02710	FUEL PIPE BRACKET	1		
8	W5326109	BOLT GB5789/M6*12	1	COLOR/S14	

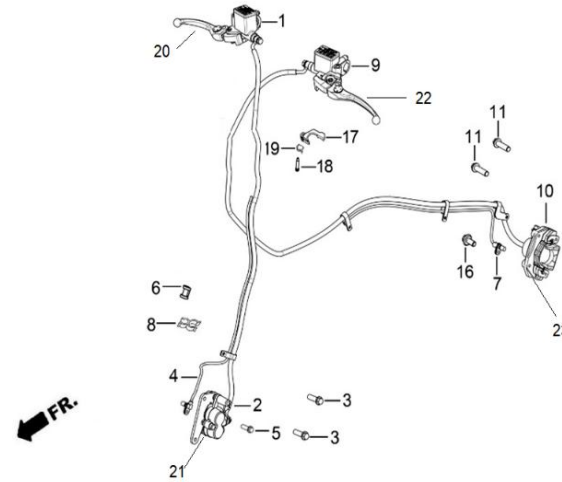
F-9

FRONT FENDER

ADV150



No	Part No	Part description	Q'ty	Notes	Frame No
1	TJ0039-17201-ZL	FRONT FENDER ASSY.	1	BLACK	
2	ZJ0049-01091	SLEEVE,FRONT FENDER	4		
3	ZJ0049-17006	PAD,FRONT FENDER RUBBER	4		
4	GDA001-175100	BOLT, STAINLESS STEEL HEX SOCKET PAN HEAD	4		
5	TN0001-01004	SLEEVE,FRONT FENDER	2		
6	W5326110	BOLT GB5789/M6*20	2	COLOR/S14	

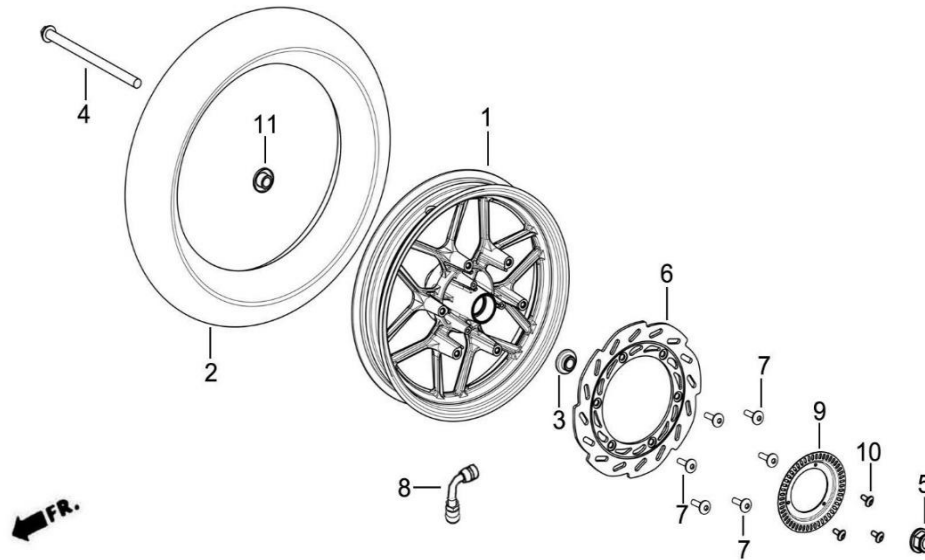


No	Part No	Part description	Q'ty	Notes	Frame No
1	TJ0039-29100A-0051	FRONT BRAKING PUMP AND PIPE ASSY.	1		
2	TJ0039-29200-0051	FRONT BRAKING CALIPER AND PIPE ASSY.	1		
3	VHC997-18503A	BOLT 8*24	2		
4	TJ0039-29610	SENSOR, FRONT WHEEL SPEED	1		
5	W5327002	BOLT GB5789-86 6*16	1		
6	ZL0015-17105	RUBBER,VEHICLE SPEED SENSOR	1		
7	ZL0012-29610	SENSOR, FRONT WHEEL SPEED	1		
8	ZL0004-17106	BAND,PLASTIC	1		
9	TJ0039-29300-0052	REAR BRAKING PUMP AND PIPE ASSY.	1		
10	TJ0039-29400-0051	REAR BRAKING CALIPER AND PIPE ASSY.	1		
11	W5326120	BOLT GB5789/M8*40	2	COLOR/S14	
16	W5327002	BOLT GB5789-86 6*16	1		
17	TJ0039-27191	LIMITED SEAT, HANDLE BRAKE	1		
18	TJ0039-27192	PIN, LIMITED ROD	1		
19	TJ0039-27193	SPRING, LIMITED ROD	1		
20	TN0001-19190	FR. BRAKE LEVER	1		
21	Ti0202-19310A	BRAKE PAD, FR. BRAKE (SET)	1		
22	TN0001-27190	RR. BRAKE LEVER	1		
23	TJ0039-27320	BRAKE PAD, RR. BRAKE (SET)	1		

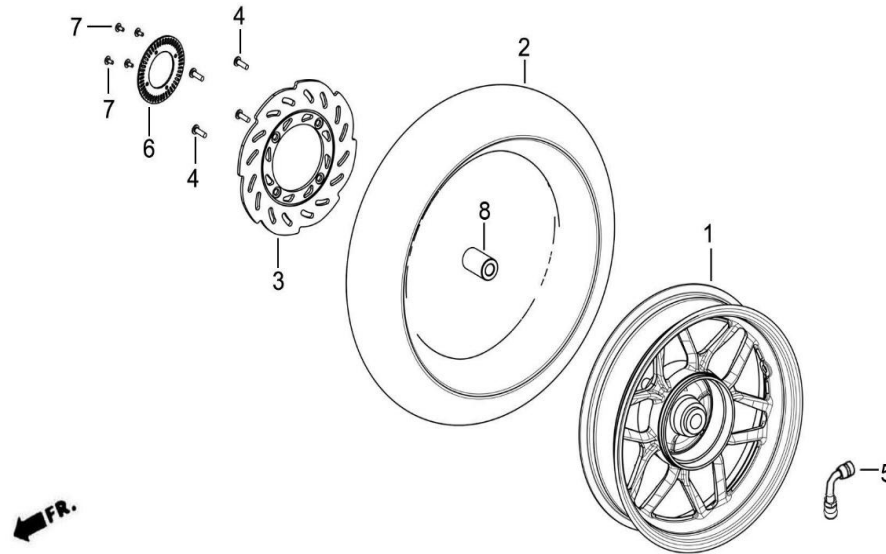
F-11

FRONT WHEEL

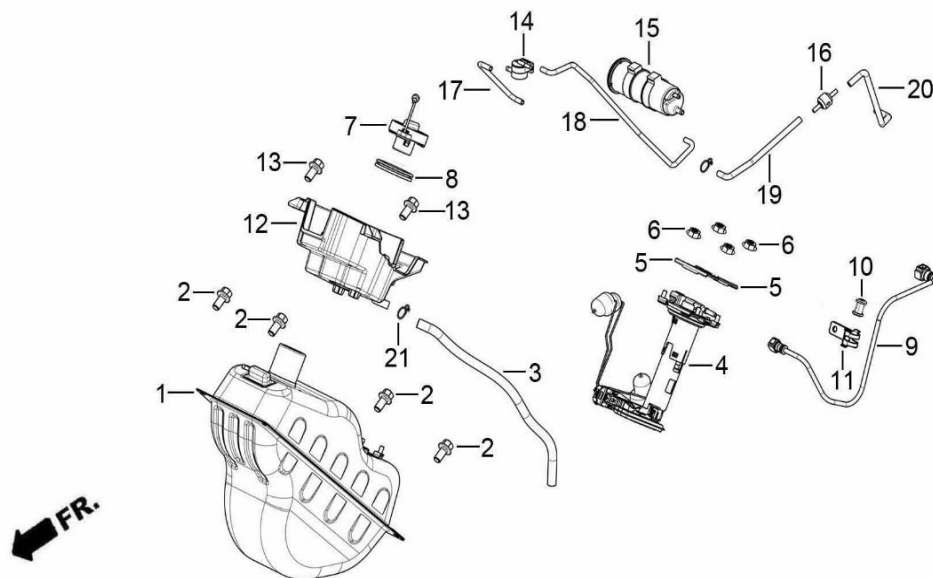
ADV150



No	Part No	Part description	Q'ty	Notes	Frame No
1	TI0202-18100A	RIM ASSY., FRONT	1		
2	TJ0039-18200	TIRE ASSY.,FRONT	1	(110/80-14)	
3	TI0202-18010	SLEEVE,FRONT WHEEL AXLE LEFT	1		
4	TJ0039-18002	AXLE,FRONT WHEEL	1		
5	W5336405	NUT,LOCKING GB/T6187.2/M14*1.5	1		
6	TI0202-19001	DISK,FRONT BRAKING	1		
7	TBG607-18514-0050	BOLT,BRAKIN DISK (STAINLESS STEEL 304)	6		
8	NTIP001-18204	TIRE VALVE	1		
9	TN0001-18004	COUNTER,FRONT	1		
10	EG001-51010	BOLT M5*12	3		
11	TI0202-18020	SLEEVE,FRONT WHEEL AXLE RIGHT	1		

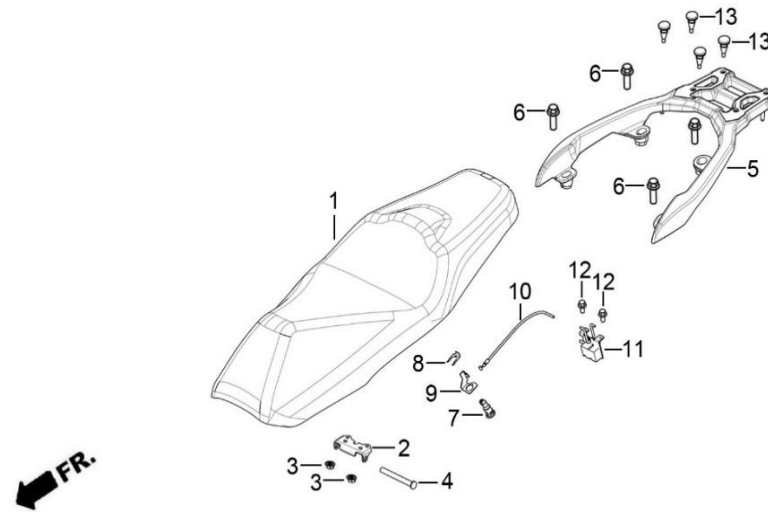


No	Part No	Part description	Q'ty	Notes	Frame No
1	TJ0039-28100	RIM ASSY.,REAR	1		
2	TJ0039-28200	TIRE ASSY., REAR	1	(130/70-13)	
3	TJ0039-27001	DISK, REAR BRAKING	1		
4	TBG607-18514-0050	BOLT,BRAKIN DISK (STAINLESS STEEL 304)	4		
5	NTIP001-18204	TIRE VALVE	1		
6	ZL0004-27002	COUNTER,REAR	1		
7	W5312203	SCREW,STAINLESS STEEL HEX SOCKET GB/T70.2-2000/M5*12	4		
8	TI0202-28002A	SLEEVE,REAR WHEEL RIGHT	1		

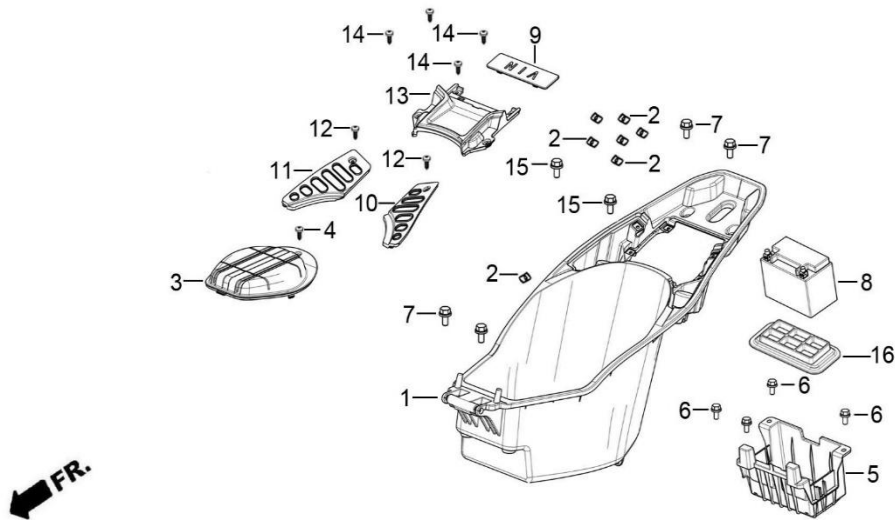


No	Part No	Part description	Q'ty	Notes	Frame No
1	TJ0039-36100-02	TANK ASSY.,METAL FUEL	1	BLACK	
2	W5327002	BOLT GB5789-86 6*16	4		
3	TJ0039-36005	PIPE,OVERFLOW	1		
4	TI0272-36400A	PUMP ASSY.,FUEL	1		
5	TJ0098-02003	PLATE,FUEL PUMP COVER	2		
6	NW5331308	NUT,HEX FLANGE M6	4		
7	TJ0039-36300	CAP,FUEL TANK	1		
8	TJ0039-17001	SLEEVE,FUEL TANK PORT RUBBER	1		
9	TJ0039-36010	EFI FUEL SUPPLY PIPE	1	(INCLUDE QUICK CONNECTOR)	
10	TI0130-36008A	RUBBER,FUEL PIPE	1		
11	TI0202-02730	CLAMPER,FUEL PIPE FIXING	1		
12	TJ0039-17317	TRAY,FUEL RECEIVING	1		
13	W5327002	BOLT GB5789-86 6*16	2		
14	TA0007-32200	FUEL SHUTOFF	1		
15	TI0202-32100-0051	CONTROLLER,FUEL EVAPORATION	1	EU5	
16	TG0003-32400	VALVE,CHECK	1		
17	TJ0039-36002	PIPE, FUEL SHUTOFF	1		
18	TJ0039-32001	ADSORPTION TUBE	1	(WITH TUBE CLAMPER)	

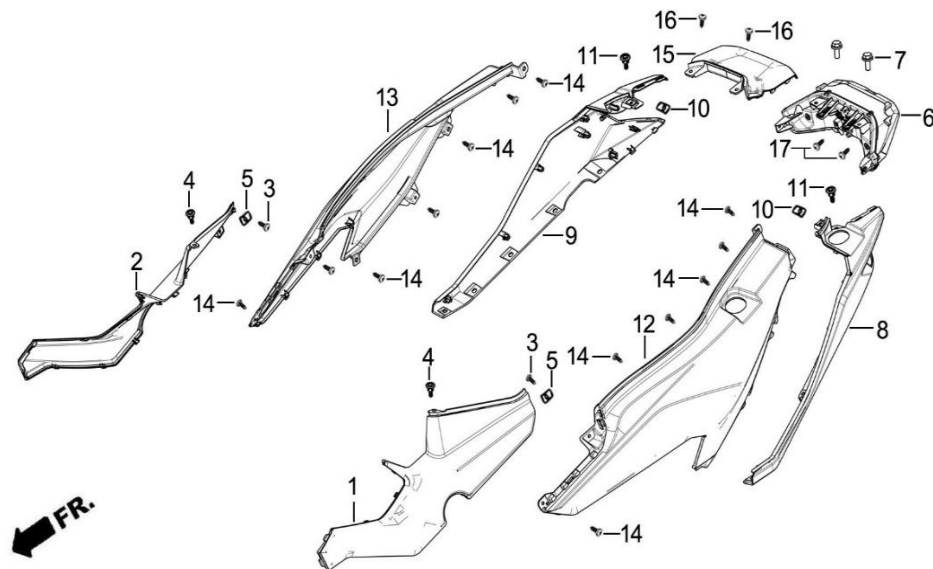
19	TJ0039-32002	DESORPTION TUBE A	1		
20	TJ0039-32004	DESORPTION TUBE B	1	(WITH TUBE CLAMPER)	
21	VH0078-32301	CLAMPER	1		



No	Part No	Part description	Q'ty	Notes	Frame No
1	TJ0039-33-0051	SEAT	1		
2	TI0239-33002	HINGE, SEAT	1		
3	NW5331308	NUT,HEX FLANGE M6	2		
4	TG0003-33001	PIVOT,CONNECTING	1		
5	TJ0039-04400-16	HANDRAIL, REAR	1	(SILVER WHITE)	
6	ZI0018-01001	BOLT, FULL THREAD, GB70/M8*28	4		
7	TN0005-73800	LOCK CONBINATION,MECHANICAL SEAT	1		
8	VGA001-01016	CIRCLIP	1		
9	VHK027-73401	HOLDER,SEAT LOCK CABLE	1		
10	TJ0039-12600	CABLE,SEAT LOCK	1		
11	TN0001-73400	LOCK,SEAT	1		
12	W5326001	BOLT GB5787/M6*10	2		
13	TH0025-04401	PLUG,REAR HANDRAIL RUBBER	4		

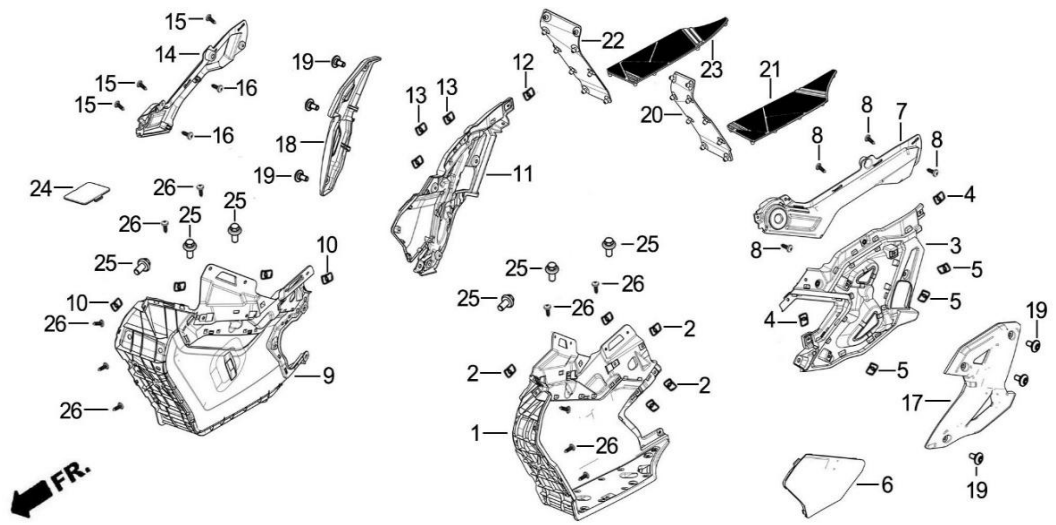


No	Part No	Part description	Q'ty	Notes	Frame No
1	TJ0039-17501B	BOX,MET-IN	1		
2	TG0003-17905A	CLIP,SPRING	7		
3	TJ0039-17502	COVER,MET-IN BOX SMALL	1		
4	VHC997-01108	SCREW,TAPPING ST4.2*9	1		
5	TJ0039-17408	BOX,BATTERY	1		
6	W5327002	BOLT GB5789-86 6*16	4		
7	W5327002	BOLT GB5789-86 6*16	4		
8	TJ0067-78	BATTERY	1		
9	TJ0039-17204	LID, STEEL NUMBER	1		
10	TJ0039-17503	CAP,LEFT HIGH POSITION INTAKE	1		
11	TJ0039-17504	CAP,RIGHT HIGH POSITION INTAKE	1		
12	W5373042	SCREW,TAPPING GB/T13806.2-1992/ST4.8*13	2		
13	TJ0039-17205	COVER,BATTERY	1		
14	W5373042	SCREW,TAPPING GB/T13806.2-1992/ST4.8*13	4		
15	W5326110	BOLT GB5789/M6*20	2	COLOR/S14	
16	TJ0067-17415	PLATE,BATTERY SUPPORT	1		



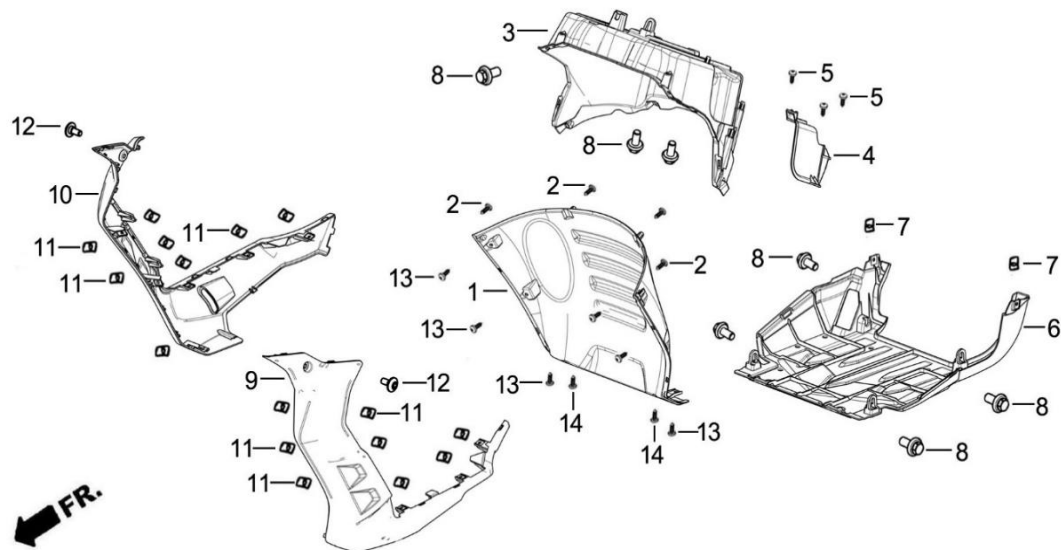
No	Part No	Part description	Q'ty	Notes	Frame No
1	TJ0039-17814-QL	COVER,LEFT SIDE	1	(MD GREY)	
2	TJ0039-17824-QL	COVER,RIGHT SIDE	1	(MD GREY)	
3	NW5311317	SCREW,TAPPING ST4.8*12	2		
4	TN0004-17120	BOLT,EXPANSION	2		
5	TG0003-17905A	CLIP,SPRING	2		
6	TJ0039-88-0050	TAILLIGHT	1	CCC/E-Mark	
7	VH0070-01001	SCREW,HEXAGON SOCKET ROUND HEAD M6*12	2		
8	TJ0039-17811	LOWER PART,LEFT BODY COVER	1		
9	TJ0039-17821	LOWER PART,RIGHT BODY COVER	1		
10	TG0003-17905A	CLIP,SPRING	2		
11	TN0004-17120	BOLT,EXPANSION	2		
12	TJ0039-17810-ZL	UPER PART,LEFT BODY COVER (GREY)	1		
12	TJ0039-17810-NV	UPER PART,LEFT BODY COVER (WHITE)	1		
13	TJ0039-17820-ZL	UPER PART,RIGHT BODY COVER (GREY)	1		
13	TJ0039-17820-NV	UPER PART,RIGHT BODY COVER (WHITE)	1		
14	NW5311311	SCREW,TAPPING ST4.2*12(φ11)	14		
15	TJ0039-17840	COVER,REAR CENTER	1		

16	NW5311317	SCREW,TAPPING ST4.8*12	2		
----	-----------	------------------------	---	--	--

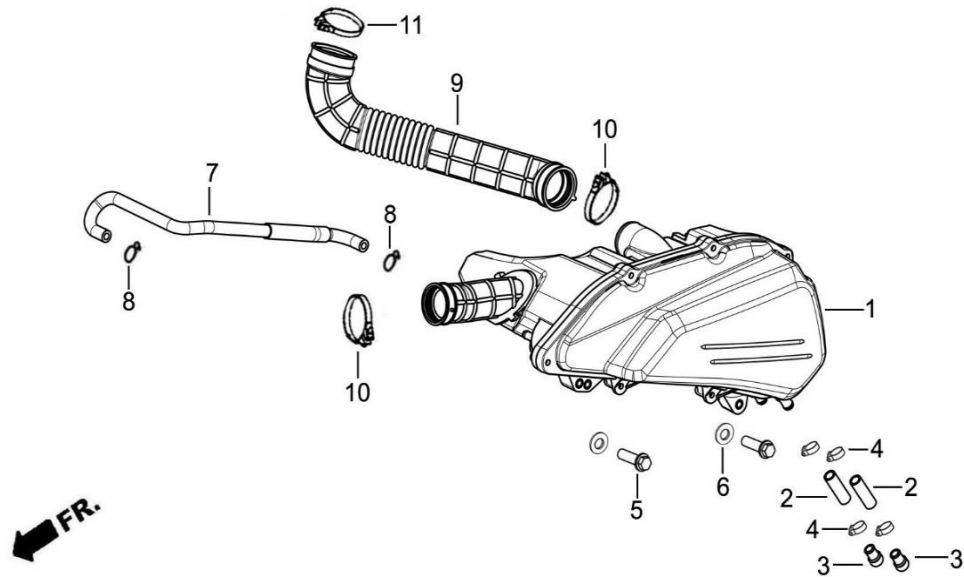


No	Part No	Part description	Q'ty	Notes	Frame No
1	TJ0039-17401A	FRONT,LEFT FLOOR PANEL	1		
2	TG0003-17905A	CLIP,SPRING	7		
3	TJ0039-17403	REAR,LEFT FLOOR PANEL	1		
4	TG0003-17905A	CLIP,SPRING	2		
5	VGA001-011061	NUT,CLAMP M5(OPENING SIZE:1.8)	3		
6	TJ0039-17405	COVER,REPAIRING SMALL	1		
7	TJ0039-17812-QL	UPPER PART,LEFT TRIM COVER	1	(MD GREY)	
8	NW5311317	SCREW,TAPPING ST4.8*12	4		
9	TJ0039-17402A	FRONT,RIGHT FLOOR PANEL	1		
10	TG0003-17905A	CLIP,SPRING	5		
11	TJ0039-17404	REAR,RIGHT FLOOR PANEL	1		
12	TG0003-17905A	CLIP,SPRING	1		
13	VGA001-011061	NUT,CLAMP M5	3	(OPENING SIZE:1.8)	
14	TJ0039-17822-QL	UPPER PART,RIGHT TRIM COVER	1	(MD GREY)	
15	NW5311311	SCREW,TAPPING ST4.8*12	3		
16	NW5311317	SCREW,TAPPING ST4.8*12	2		
17	TJ0039-17813-MN	LOWER PART,LEFT TRIM COVER	1	(SILVER)	
18	TJ0039-17823-MN	LOWER PART,RIGHT TRIM COVER	1	(SILVER)	
19	ZL0004-17107	SCREW,FUEL TANK PROTECT COVER FIX	6		
20	TJ0039-17012	RUBBER,LEFT TOP FOOT FLOOR	1		
21	TJ0039-17019	RUBBER,LEFT UNDER FOOT FLOOR	1		
22	TJ0039-17013	RUBBER,RIGHT TOP FOOT FLOOR	1		

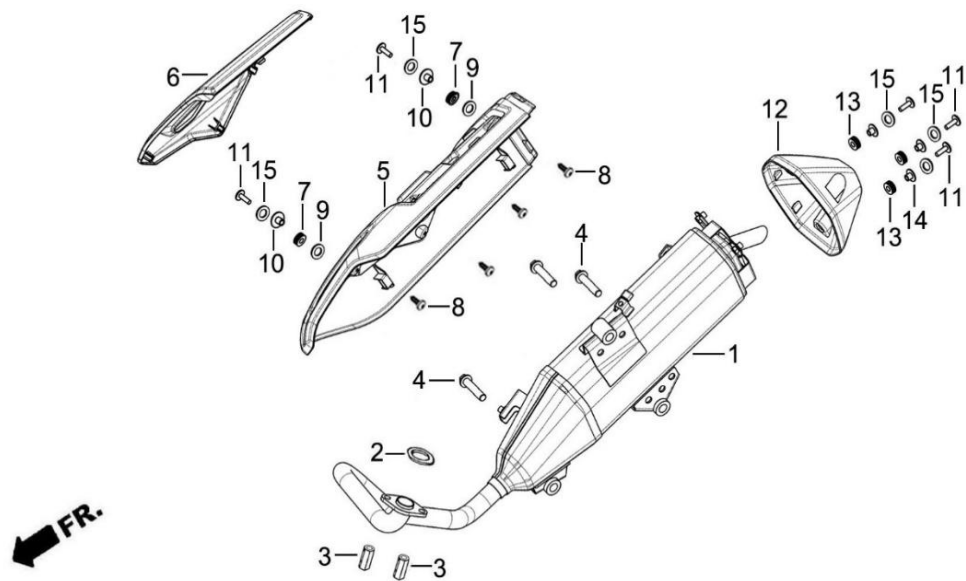
23	TJ0039-17021	RUBBER,RIGHT UNDER FOOT FLOOR	1		
24	TJ0039-17406	CAP,WATER TANK	1		
25	W5327002	BOLT GB5789-86 6*16	6		
26	W5313225	SCREW,STAILESS TAPPING ST4.8*16(ϕ 11)	10		



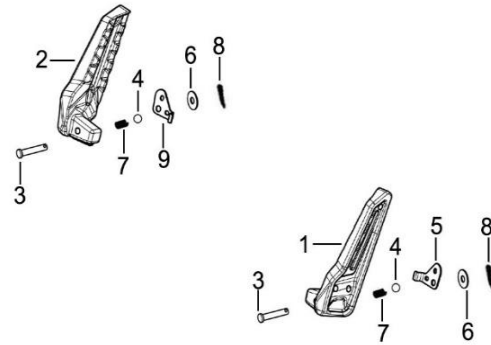
No	Part No	Part description	Q'ty	Notes	Frame No
1	TJ0039-17211	MUDGUARD,FRONT INNER	1		
2	NW5311311	SCREW,TAPPING ST4.2*12(φ11)	4		
3	TJ0039-17212	LINING,FRONT FENDER	1		
4	TJ0039-17213	SMALL PART,FRONT FENDER LINING	1		
5	NW5311311	SCREW,TAPPING ST4.2*12(φ11)	3		
6	TJ0039-17941	COVER,BUTTON	1		
7	TG0003-17905A	CLIP,SPRING	2		
8	W5327002	BOLT GB5789-86 6*16	7		
9	TJ0039-17862-MN	STRIP,LEFT SIDE	1	(SILVER)	
10	TJ0039-17872-MN	STRIP,RIGHT SIDE	1	(SILVER)	
11	TG0003-17905A	CLIP,SPRING	16		
12	ZL0004-17107	SCREW,FUEL TANK COVER FIXING	2		
13	W5313225	SCREW,STAINLESS TAPPING ST4.8*16 (φ11)	6		
14	W5313225	SCREW,STAINLESS TAPPING ST4.8*16 (φ11)	2		



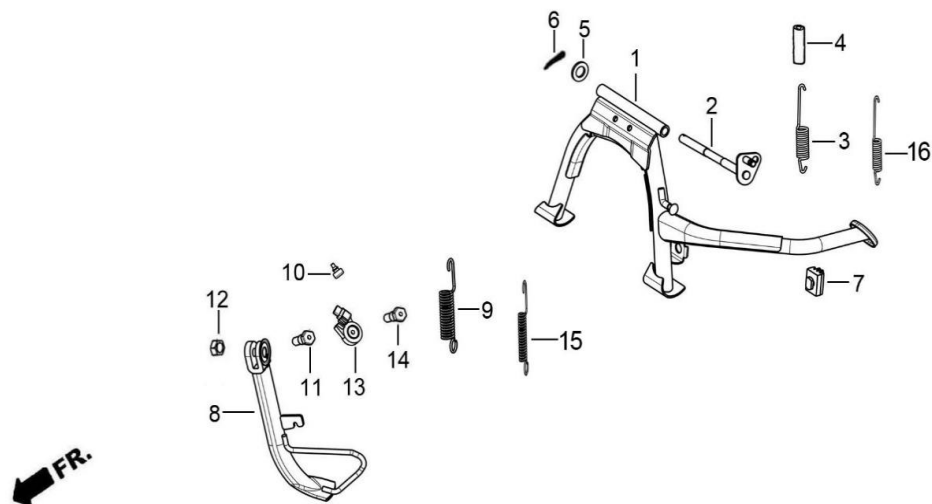
No	Part No	Part description	Q'ty	Notes	Frame No
1	TI0287-59-0051	CLEANER, AIR	1	EU5	
	TI0202-59100	FILTER, AIR CLEANER	1		
2	TI0150-59003	PIPE,OVERFLOW	2		
3	TI0150-59001	PLUG,AIR CLEANER OVERFLOW PIPE	2		
4	TI0150-59004	CLAMP,PIECE SHAPE TUBE	4		
5	EI004-53020	BOLT, FLANGE M6*35	2		
6	NW5361103	WASHER 6*16*1 (CHROME PLATED)	2		
7	TI0202-05010	PIPE SET,BREATHE	1		
8	VH0078-32301	CLIP	2		
9	TJ0039-05005A	PIPE,AIR CLEANER HIGH POSITION INTAKE	1		
10	TI0125-05006A	BAND (Φ35~Φ45)	2		
11	TI0125-05005	BAND	1		



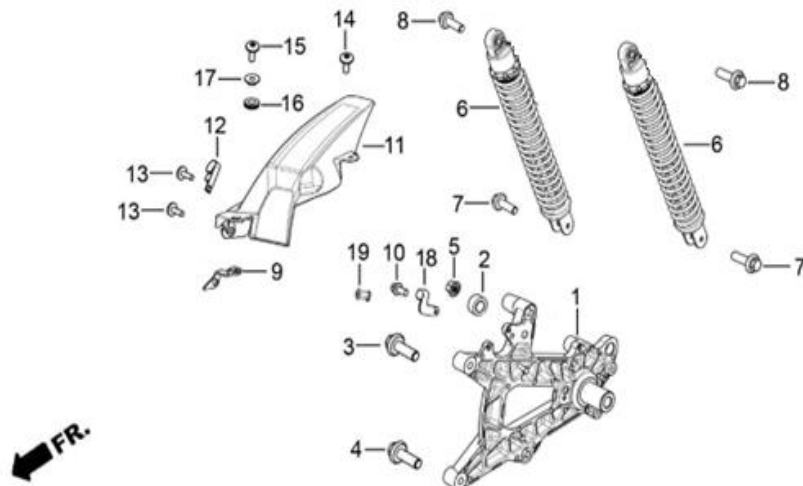
No	Part No	Part description	Q'ty	Notes	Frame No
1	TJ0103-62100X	MUFFLER, EXHAUST	1		
2	TI0202-62001	GASKET,EXHAUST MUFFLER	1		
3	TI0202-05302	NUT,EXHAUST MUFFLER M8*20	2		
4	W5326170	BOLTGB5787/M10*1.25*65	3		
5	TJ0039-62300	SHIELD,EXHAUST MUFFLER	1		
6	TJ0039-62301A-MN	COVER,EXHAUST MUFFLER TRIM	1	(SILVER)	
7	TN0001-62001	SLEEVE,RUBBER	2		
8	EI154-64019	SCREW,TAPPING ST4.2*11.5-F-H	4	(SILVER WHITE)	
9	TG0003-62003	ASBESTO MAT	2		
10	TN0001-62002	LINER,TAIL HOUSING	2		
11	GDA001-175100	BOLT, STAINLESS SOCKET PAN HEAD M6*20	5		
12	TJ0039-62302	HOUSING,MUFFLER TAIL	1		
13	TN0001-62001	SLEEVE,RUBBER	3		
14	TN0001-62002	LINER,TAIL HOUSING	3		
15	W5365102	WASHER,LARGE GB96-87 φ6	5		



No	Part No	Part description	Q'ty	Notes	Frame No
1	TJ0039-04101-16	LEFT REAR FOOTSTEP	1	(SILVER WHITE)	
2	TJ0039-04201-16	RIGHT REAR FOOTSTEP	1	(SILVER WHITE)	
3	ZH0004-04203	PIN	2		
4	VHK027-04105	BALL,STEEL	2		
5	TJ0039-04102	PLATE,LEFT REAR FOOTSTEP STOP	1		
6	W5367202	WASHER GB848-86 φ6	2		
7	TN0001-04301	SPRING	2		
8	W5338101	PIN,SPLIT GB91-76 1.6*16	2		
9	TJ0039-04202	PLATE,RIGHT REAR FOOTSTEP STOP	1		

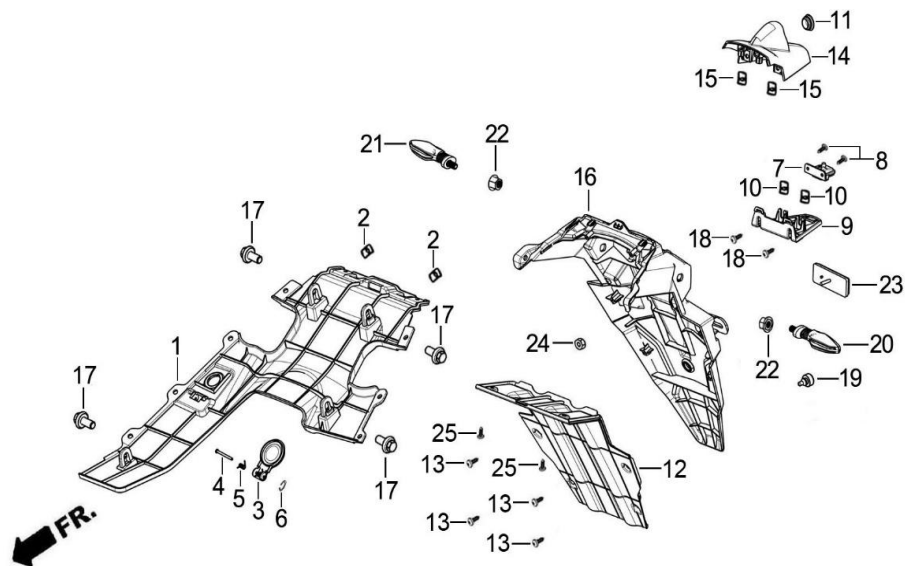


No	Part No	Part description	Q'ty	Notes	Frame No
1	TJ0067-24100-0229	MAIN STAND ASSY.	1		
2	TI0322-24200	PIVOT ASSY.,MAIN STAND	1		
3	VGA001-01011-0229	SPRING,MAIN STAND	1		
4	VF0059-01032	SLEEVE,MAIN STAND SPRING RUBBER	1		
5	W5366107	WASHER GB97-85 φ10	1		
6	W5338106	PIN,SPLIT GB91-76 2.5*20	1		
7	TI0202-17006	RUBBER PAD, MAIN STAND LIMIT	1		
8	TJ0039-23100-0060	SIDE STAND ASSY.	1		
9	ZJ0049-23003-0229	SPRING,SIDE STAND	1		
10	TN0001-17003	RUBBER PAD, SIDE STAND LIMIT	1		
11	TN0001-23003	BOLT, SIDE STAND	1		
12	VGA001-01114	NUT,LOCKING M10*1.25	1		
13	TN0001-74800	SWITCH,SIDE STAND SHUTDOWN	1		
14	TI0202-23023	BOLT, SIDE STAND SHUTDOWN SWITCH FIX	1		
15	TI0239-23002-0229	SUB-SPRING, SIDE SUPPORT	1		
16	VGB001-010151-0229	SUB-SPRING, MAIN SUPPORT	1		



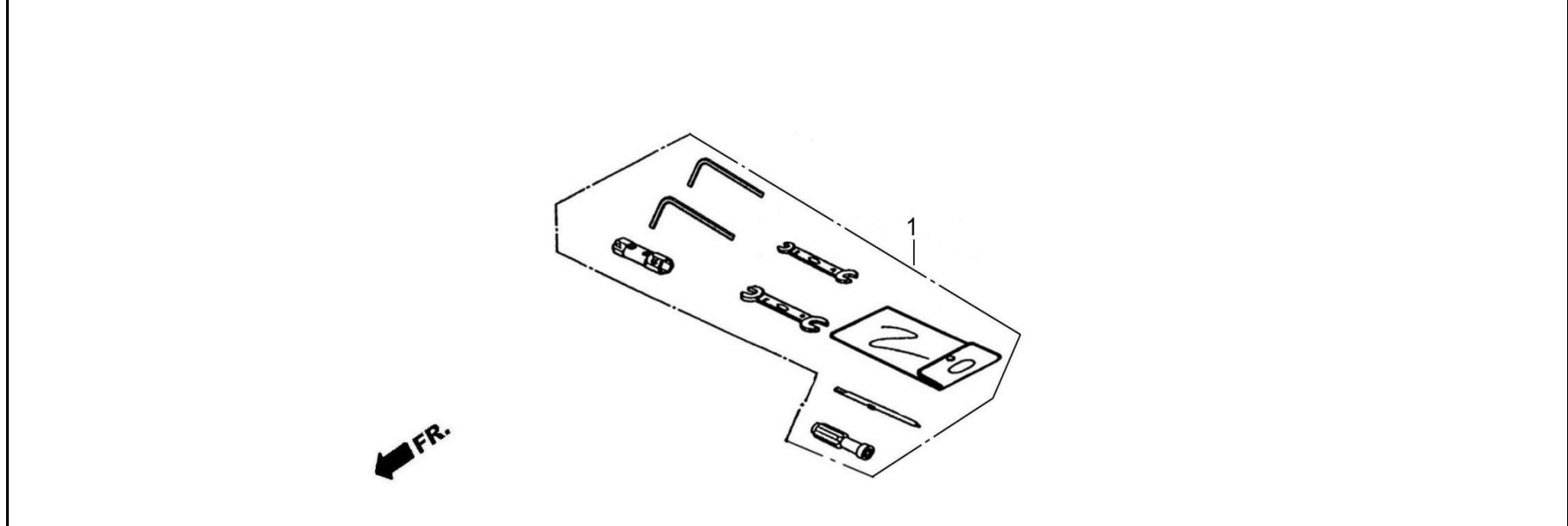
No	Part No	Part description	Q'ty	Notes	Frame No
1	TJ0039-07200	PLATE ASSY.,CONNECTING	1		
2	TN0001-07205	SLEEVE,CONNECTING PLATE RIGHT	1		
3	NW5321061	BOLT,HEX FLANGE M10*1.25*50	1		
4	NW5321061	BOLT,HEX FLANGE M10*1.25*50	1		
5	NW5331207	NUT,SELF LOCKING M16*1.5	1	(GALVANIZED)	
6	TJ0063-30000A	CUSHION,REAR	2		
7	W5326113	BOLT GB5789/M8*32	2	COLOR/S14	
8	W5326123	BOLT GB5789/M10*1.25*40	2	(CHROME PLATING/S14)	
9	TI0202-05006	PLATE,AIR CLEANER RIGHT CONNECTING	1		
10	W5326109	BOLT GB5789/M6*12	1	COLOR/S14	
11	TJ0039-17603A	MUDGUARD,REAR WHEEL SMALL	1		
12	TJ0039-02900	CLIP,THROTTLE CABLE	1		
13	VGA001-011102-0060	SCREW,STANLESS STEEL HEXAGON SOCKET 6*16	2		
14	VGA001-011102-0060	SCREW,STANLESS STEEL HEXAGON SOCKET 6*16	1		
15	VHB001-011042-0060	SCREW,STANLESS STEEL HEXAGON SOCKET 6*22	1		
16	ZJ0049-17006	PAD,FRONT MUDGUARD RUBBER	1		
17	ZJ0049-01091	SLEEVE,FRONT MUDGUARD	1		
18	ZL0004-02750	CLIP,SPEED SENSOR CABLE	1		

19	ZL0015-17105	RUBBER,SPEED SENSOR CABLE	1		
----	--------------	---------------------------	---	--	--

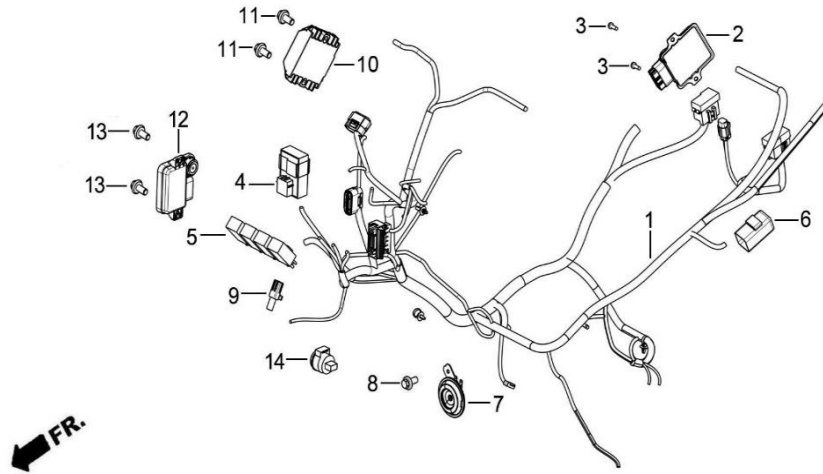


No	Part No	Part description	Q'ty	Notes	Frame No
1	TJ0039-17602	FRONT,REAR DEFENDER	1		
2	TG0003-17905A	CLIP,SPRING	2		
3	ZL0015-17608	CAP,SEAT LOCK	1		
4	ZL0015-17611	SHAFT, SEAT LOCK CAP PIN	1		
5	ZL0015-17612	SPRING,SEAT LOCK CAP TWIST	1		
6	W5372132	CIRCLIP GB896-86-2	2		
7	TJ0039-89-0050	LIGHT,REAR LICENSE LIGHTING	1		
8	NW5311317	SCREW,TAPPING ST4.8*12	2		
9	TJ0039-17607	BRACKET,REAR LICENSE LIGHTING LIGHT MOUNT	1		
10	TG0003-17905A	CLIP,SPRING	2		
11	TJ0039-17007	PLUG,CAMERA RUBBER	1		
12	TJ0039-17604	LINING,REAR FENDER	1		
13	W5373029	SCREW,TAPPING ST4.2*12	4		
14	TJ0039-17605	SEAT,CAMERA MOUNT	1		
15	TG0003-17905A	CLIP,SPRING	2		
16	TJ0039-17601	FENDER,REAR	1		
17	W5327002	BOLT GB5789-86 6*16	4		
18	NW5311317	SCREW,TAPPING ST4.8*12	2		

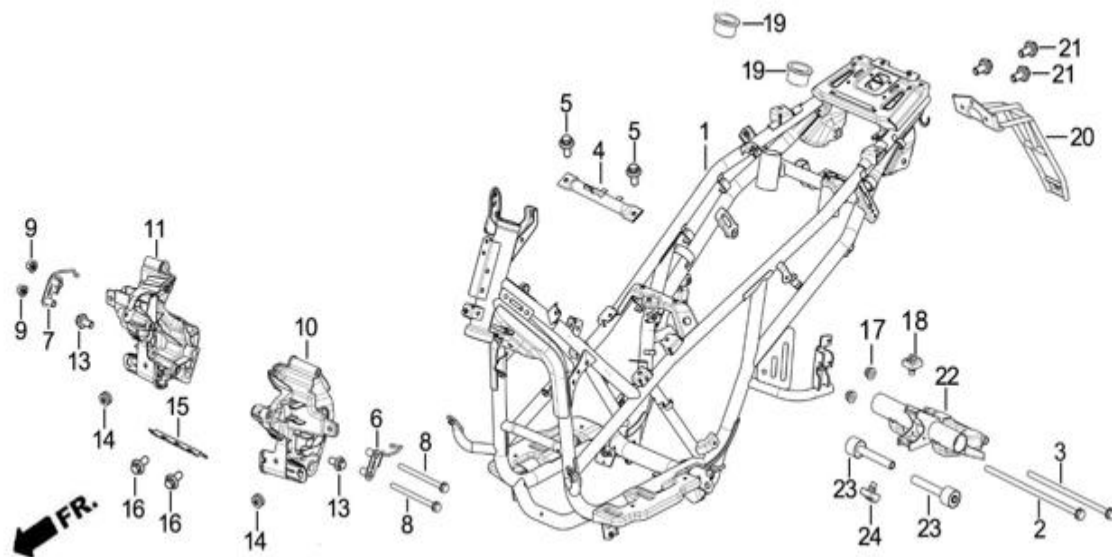
19	TI0202-17606	PAD,REAR MUDGUARD RUBBER	1		
20	ZJ0051-71150-0050	LIGHT,FRONT LEFT TURNING	1		
21	ZJ0051-71170-0050	LIGHT,FRONT RIGHT TURNING	1		
22	W5336504	NUT, FLANGE GB6177-86 M10*1.25	2		
23	VHC997-17170A-0050	REFLECTOR ASSY.,REAR	1		
24	W5336501	NUT, FLANGE GB6177-86 M5	1		
25	W5313225	SCREW,TAPPING ST4.8*16(ϕ 11)	2		



No	Part No	Part description	Q'ty	Notes	Frame No
1	T10202-31000A	TOOLS SET	1		

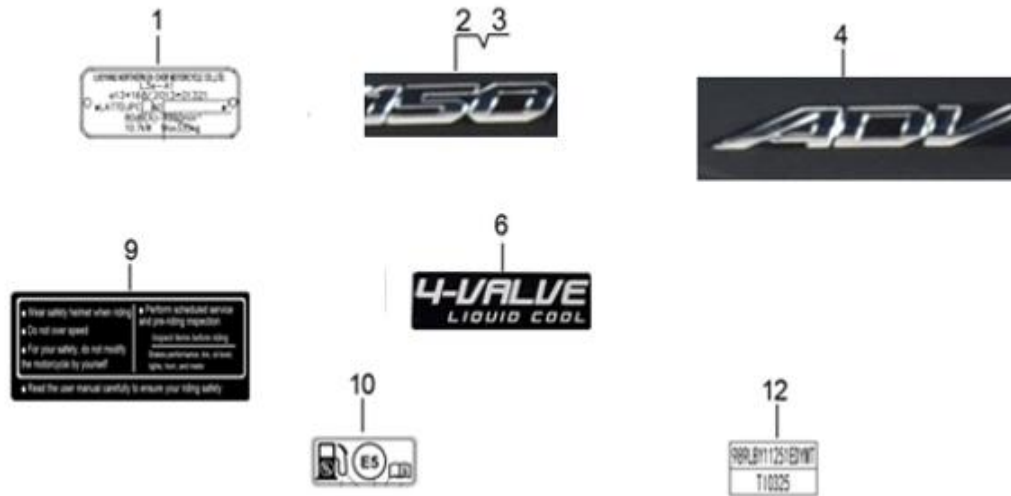


No	Part No	Part description	Q'ty	Notes	Frame No
1	TJ0103-77100-0060	MAIN CABLE	1	EU5	
	TJ0067-77200-0050	CABLE,ENGINE AUXILIARY	1	EU5	
2	TI0284-84	CONTROLLER UNIT,ELECTRIC (ECU)	1	EU5	
3	EI004-53307	BOLT, FLANGE M6*14	2		
4	TJ0067-79	RELAY,FLASHING	1		
5	VI0135-90000B	RELAY(FIVE PIN)	4		
6	VHC080-80-0050	RELAY,STARTING	1		
7	TJ0039-70	HORN	1		
8	W5326109	BOLT GB5789-86 6*16	1		
9	TN0005-90300	SENSOR,TEMPERATURE	1		
10	TJ0067-85-0051	REGULATOR,RECTIFIED	1		
11	NW5321009	BOLT,HEX FLANGE M6*25	2		
12	TJ0080-73500	BOX,CENTRAL CONTROLLER (WITH KEY)	1		
13	W5326005	BOLT, FLANGE M6*16	2		
14	TN0005-79	BEEPER,TURNING	1		

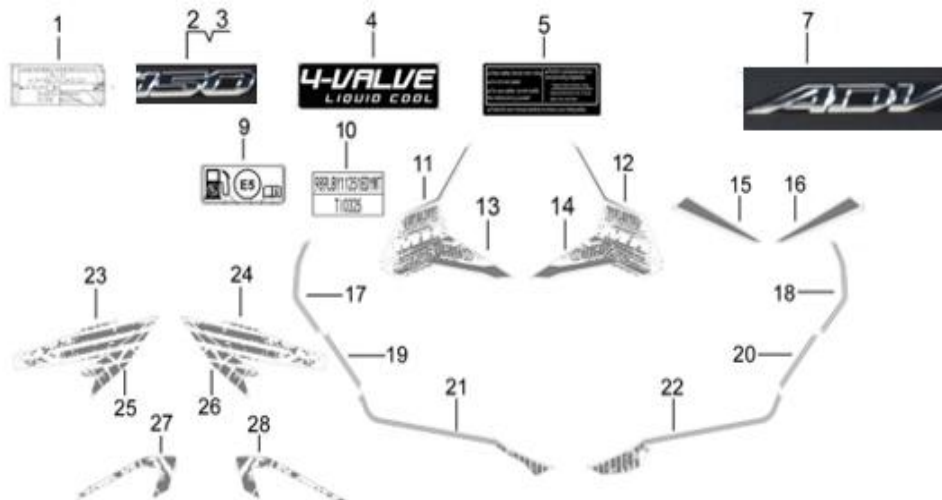


No	Part No	Part description	Q'ty	Notes	Frame No
1	TJ0067-37-0229	FRAME ASSEMBLY (BLACK ELECTROPHORESIS)	1		
2	TI0202-20002	SHAFT,HANGER FRAME FRONT	1		
3	TI0260-20003	SHAFT,HANGER FRAME REAR	1		
4	TJ0039-02190	BEAM ASSY.,OIL PAN ADAPTER SUPPORT BEAM	1		
5	W5326022	BOLT,HEX FLANGE M8*16	2		
6	TJ0039-02110	BRACKET ASSY.,FRONT PANEL LEFT	1		
7	TJ0039-02120	BRACKET ASSY.,FRONT PANEL RIGHT	1		
8	W5326298	BOLT, FLANGE GB5787/M8*1.25*95	2		
9	W5336515	NUT,SELF LOCKINGGB 6187/M8(TRIVALENT COLOR/S12)	2	COLOR/S14	
10	TJ0039-04306	SUPPORT,LEFT HEADLAMP FIXED	1		
11	TJ0039-04307	SUPPORT,RIGHT HEADLAMP FIXED	1		
13	W5326109	BOLT GB5789/M6*12	2	COLOR/S14	
14	TN0001-17005	RING,HEADLAMP RUBBER	2		
15	TJ0103-02140	BRACKET ASSY., RELAY	1		
16	W5326109	BOLT GB5789/M6*12	2	COLOR/S14	
17	NW5331204	NUT,SELF LOCKING M10*1.25	2		
18	TI0202-20001	HANGER FRAME DAMPING BLOCK	1		
19	TJ0098-05005A	BUSHING,HIGH POSITION INTAKE PIPE	2		

20	TJ0039-02160	HOLDER ASSY., REAR FENDER	1		
21	W5326022	BOLT, HEX FLANGE M8*16	3		
22	TJ0067-20100-0060	FRAME ASSY.,HANGER (BLACK)	1		
23	TI0202-20200	DAMPING COLLAR ASSY., HANGER FRAME	2		
24	TJ0039-20001	HANGER FRAME DAMPING BLOCK	1		



No	Part No	Part description	Q'ty	Notes	Frame No
1	T10325-39001B	STATUTORY PLATE	1		
2	T10329-39002-150	LOGO,LEFT MODEL (150)	1		
3	T10329-39003-150	LOGO,RIGHT MODEL (150)	1		
4	T10329-39006-ADV	MARK,BODY COVER	2		
6	TJ0037-39002	LABEL, AIR CLEANER(4-VALVE LIQUID COOL)	1		
9	TA0001-39015B	MARK,SAFE DRIVING	1		
10	TI0127-39003	LABEL, E5 FUEL	1		
12	T10325-39011	ECU MODEL LABEL	1		



No	Part No	Part description	Q'ty	Notes	Frame No
1	TI0325-39001B	STATUTORY PLATE	1	As in F27	
2	TI0329-39002-150	LOGO,LEFT MODEL (150)	1		
3	TI0329-39003-150	LOGO,RIGHT MODEL (150)	1		
4	TJ0037-39002	LABEL, AIR CLEANER(4-VALVE LIQUID COOL)	1		
5	TA0001-39015B	MARK,SAFE DRIVING	1		
7	TI0329-39006-ADV	MARK,BODY COVER	2		
9	TI0127-39003	LABEL, E5 FUEL	1		
10	TI0325-39011	ECU MODEL LABEL	1	BODY STRIPES	
11	TI0329-39006B-PW/3D	LEFT COWL UPPER STRIPE (WHITE/RED)/(BLACK/GREEN)	1		
12	TI0329-39007B-PW/3D	RIGHT COWL UPPER STRIPE (WHITE/RED)/(BLACK/GREEN)	1		
13	TI0329-39008B-PW/3D	LEFT COWL MIDDLE STRIPE (WHITE/RED)/(BLACK/GREEN)	1		
14	TI0329-39009B-PW/3D	RIGHT COWL MIDDLE STRIPE (WHITE/RED)/(BLACK/GREEN)	1		
15	TJ0110-39010A-PW/3D	LEFT COWL LOWER STRIPE (WHITE/RED)/(BLACK/GREEN)	1		
16	TJ0110-39011A-PW/3D	RIGHT COWL LOWER STRIPE (WHITE/RED)/(BLACK/GREEN)	1		
17	TJ0110-39012A-PW/3D	STRIP,LEFT SIDE UPPER STRIPE (WHITE/RED)/(BLACK/GREEN)	1		
18	TJ0110-39013A-PW/3D	STRIP,RIGHT SIDE UPPER STRIPE (WHITE/RED)/(BLACK/GREEN)	1		
19	TJ0110-39014A-PW/3D	STRIP,LEFT SIDE MIDDLE STRIPE (WHITE/RED)/(BLACK/GREEN)	1		
20	TJ0110-39015A-PW/3D	STRIP,RIGHT SIDE MIDDLE STRIPE (WHITE/RED)/(BLACK/GREEN)	1		
21	TJ0110-39016A-PW/3D	STRIP,LEFT SIDE LOWER STRIPE (WHITE/RED)/(BLACK/GREEN)	1		
22	TJ0110-39017A-PW/3D	STRIP,RIGHT SIDE LOWER STRIPE (WHITE/RED)/(BLACK/GREEN)	1		
23	TI0329-39018B-PW/3D	LEFT BODY COVER UPPER STRIPE (WHITE/RED)/(BLACK/GREEN)	1		
24	TI0329-39019B-PW/3D	RIGHT BODY COVER UPPER STRIPE (WHITE/RED)/(BLACK/GREEN)	1		
25	TI0329-39020B-PW/3D	LEFT BODY COVER MIDDLE STRIPE (WHITE/RED)/(BLACK/GREEN)	1		
26	TI0329-39021B-PW/3D	RIGHT BODY COVER MIDDLE STRIPE (WHITE/RED)/(BLACK/GREEN)	1		
27	TJ0110-39022A-PW/3D	LEFT BODY COVER LOWER STRIPE (WHITE/RED)/(BLACK/GREEN)	1		
28	TJ0110-39023A-PW/3D	RIGHT BODY COVER LOWER STRIPE (WHITE/RED)/(BLACK/GREEN)	1		