



**FTN150**



-  Blanco – Azul
-  Blanco–Rojo
-  Negro
-  Azul

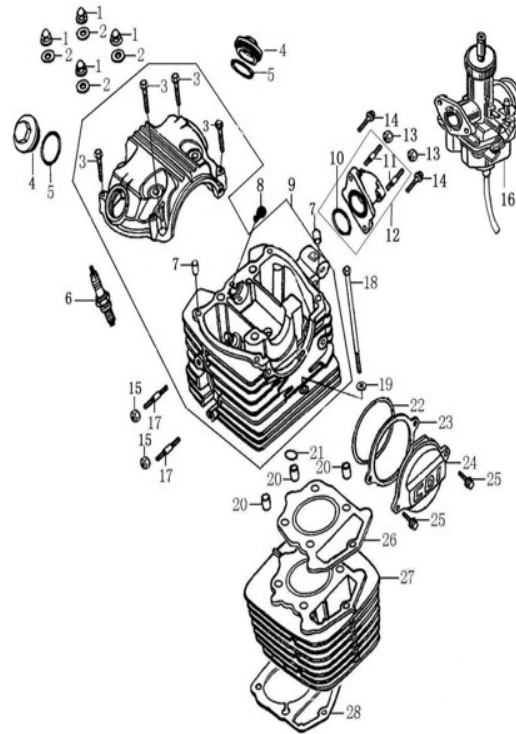
**SPARE PARTS CATALOGUE**

ver. 26.04

E-1.1

## CYLINDER HEAD ASSY / CYLINDER ASSY

Nipponia FTN150

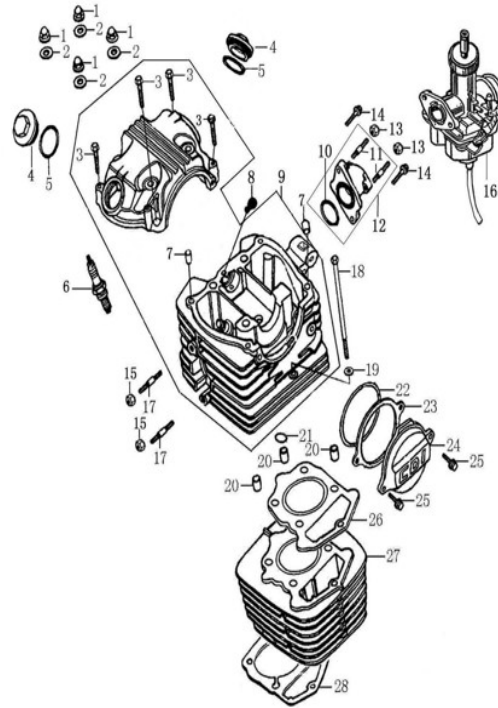


No	Part No	Part description	Q'ty	Notes	Frame No
1	100100508-0007	Nut M8	4		
2	100106576	Washer, $\phi 8.5 \times 2 \times \phi 18$	4		
3	100011537-0002	Bolt, M6 $\times$ 35	4		
4	100102871-0011	Cover Valve Chamber	2		
5	100107766	O-Ring, $\phi 35 \times 3$	2		
6	100104137	Spark Plug	1		
7	100100868	Dowel Pin, $\phi 8 \times 14 \times \phi 6.3$	2		
8	100100002	Rubber Casing Cap	1		
9	100104426-0008	Cylinder Head Assy	1		
10	100107759	O-Ring, $\phi 33.5 \times 3$	1		
11	100100423	Bolt, M6 $\times$ 28	2		
12	100200804	Inlet Pipe	1		
13	100011421-0003	Nut, M6	2		
14	100011174-0004	Bolt, M6 $\times$ 20	2		

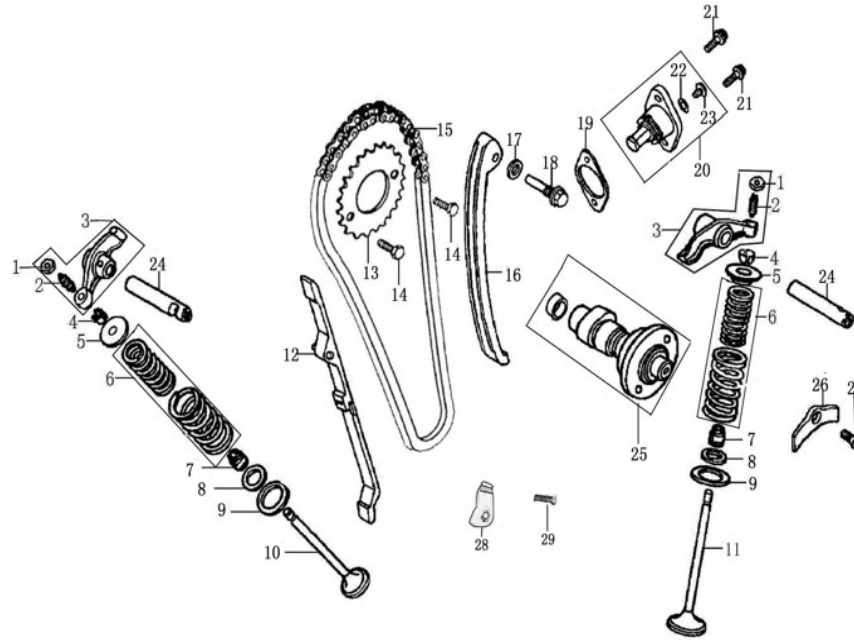
E-1.2

## CYLINDER HEAD ASSY / CYLINDER ASSY

Nipponia FTN150



No	Part No	Part description	Q'ty	Notes	Frame No
15	100011421-0003	Nut, M6	2		
16	100300027	Carburetor	1		
17	100100436-0003	Bolt, M6×35	2		
18	100100413-0007	Bolt, M6×110	1		
19	100106337	Washer, φ6.2×2×φ13	1		
20	100031687	Pin, φ10×20	3		
21	100107642	O-Ring, φ10×1.6	1		
22	100107823	O-Ring, φ75×2.65	1		
23	100104540	Gasket L Cylinder Head Cover	1		
24	100102865-0008	Breather Hose	1		
25	100055588-0006	Bolt, M6×20	2		
26	100104624	Gasket Assy Cylinder Head	1		
27	100104374-0008	Cylinder Block Assembly	1		
28	100051025	Cb150D Cylinder Gasket	1		

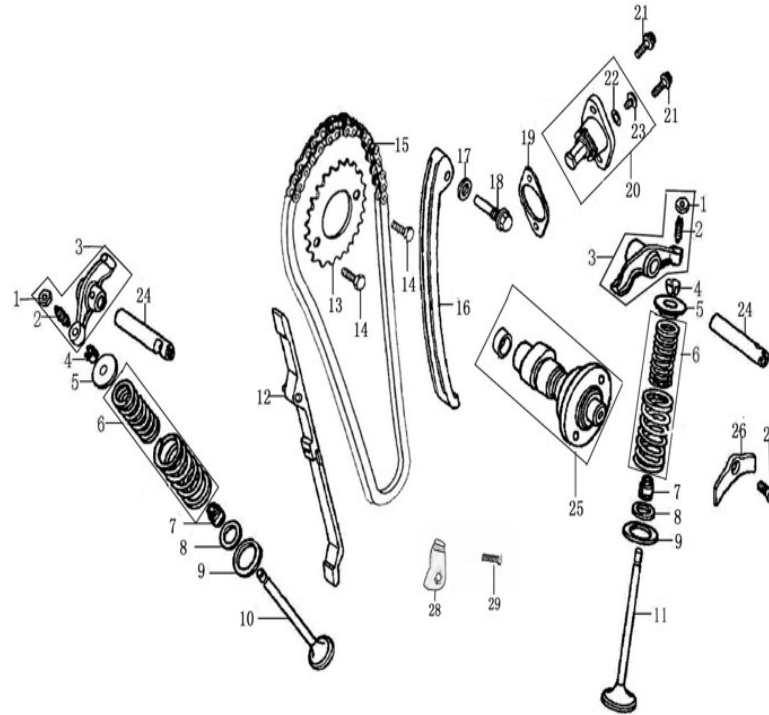


No	Part No	Part description	Q'ty	Notes	Frame No
1	100105158	Nut Valve Clearance	2		
2	100105168	Screw, Valve Clearance	2		
3	100105180	Rocker Arm Assembly Valve	2		
4	100050896	Valve Locker	4		
5	100105307	SpRing, Seat	2		
6	100105329	Inner SpRing, Assy	2		
7	100105336	Seal Valve Stem	2		
8	100105325	SpRing, Seat	2		
9	100105315	Outer Valve SpRing, Retainer	2		
10	100105281	Exhaust Valve	1		
11	100105265	Intake Valve	1		
12	100050807	Guide Plate Chain	1		
13	100105037	Timing Driven Sprocket	1		
14	100031911-0004	Bolt, M6×10	2		
15	100105100	Sproket Chain	1		
16	100108480	Tension Plate Assy	1		
17	100106544	Washer, φ8×1.5×φ14	1		
18	100100363-0007	Bolt	1		
19	100104605	Gasket Tensioner	1		
20	100108552-0011	Plug Of Tightener	1		

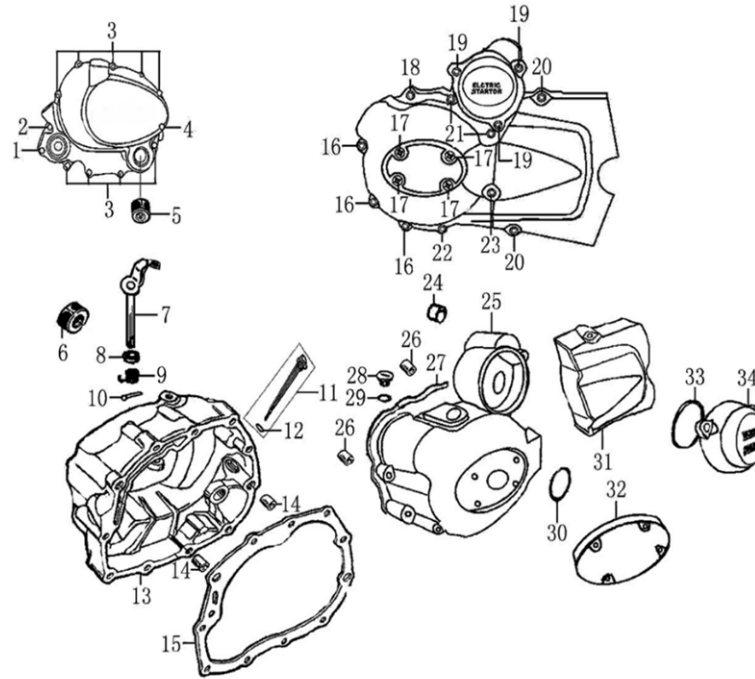
E-2.2

## CAMSHAFT / VALVES

Nipponia FTN150



No	Part No	Part description	Q'ty	Notes	Frame No
21	100010837-0002	Bolt, M6×16	2		
22	100107848	O-Ring, φ9×1.8	1		
23	100108598-0001	Bolt, M6×6	1		
24	100105149	Rocker Shaft	2		
25	100200136	Gamp Shaft Comp	1		
26	100102809	Position Plate Rocker Shaft	1		
27	100010972-0003	Screw, M6×16	1		
28	100103273	Assembly Chain Protect Plate	1		
29	100031967-0007	Bolt, M6×16	1		

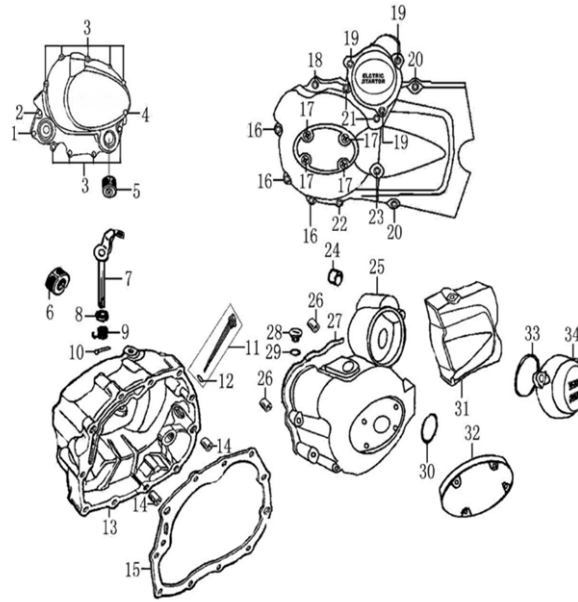


No	Part No	Part description	Q'ty	Notes	Frame No
1	100011534-0002	Bolt, M6×25	1		
2	100011537-0002	Bolt, M6×35	1		
3	100011538-0003	Bolt, M6×40	9		
4	100011540-0007	Bolt, M6×50	1		
5	100101319	Oil Lelve Sight Window	1		
6	100104733	Oil Seal 16×28×7	1		
7	100106287-0008	Controlling Arm Assembly Clutch	1		
8	100104754	Oil Seal 12×22×5	1		
9	100103443	Clutch Controlling Arm Spring	1		
10	100100636-0001	Clutch Lever Pin	1		
11	100104887	Oil Ruler Assy	1		
12	100031573	O-Ring,φ18×3	1		
13	100202071-0009	Cover Comp Right Crankcase	1		
14	100100868	Dowel Pin,φ8×14×φ6.3	2		
15	100104570	Gasket R.Crankcase Cover	1		
16	100011534-0002	Bolt, M6×25	3		
17	100010964-0002	Screw, M6×12	4		

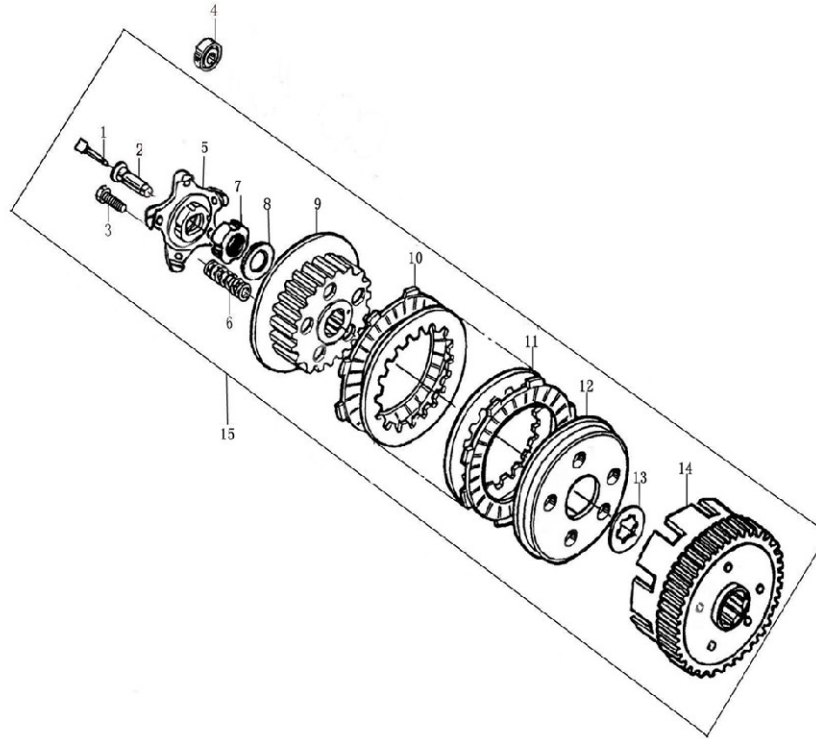
E-3.2

## CRANKCASE COVERS

Nipponia FTN150



No	Part No	Part description	Q'ty	Notes	Frame No
18	100011537-0002	Bolt, M6×35	1		
19	100055588-0006	Bolt, M6×20	3		
20	100055587-0006	Bolt, M6×28	2		
21	100031958-0007	Bolt, M6×55	2		
22	100011539-0001	Bolt, M6×45	1		
23	100011542-0001	Bolt, M6×60	1		
24	100101202	Bearing	1		
25	100204824-0006	Front Part,L.Crankcase Cover	1		
26	100100868	Dowel Pin,φ8×14×φ6.3	2		
27	100104547	Gasket L.Crankcase Cover	1		
28	100103059-0025	Cap Small View Hole	1		
29	100010074	O-Ring,φ13.2×2.65	1		
30	100107731	O-Ring,φ27.4×2.65	1		
31	100202419-0005	Back Part L.Crankcase Cover	1		
32	100103126-0026	Decorate Cover L.Crankcase Cover	1		
33	100107808	O-Ring,φ62×3	1		
34	100100007-0012	Cover Reduction Gear	1		

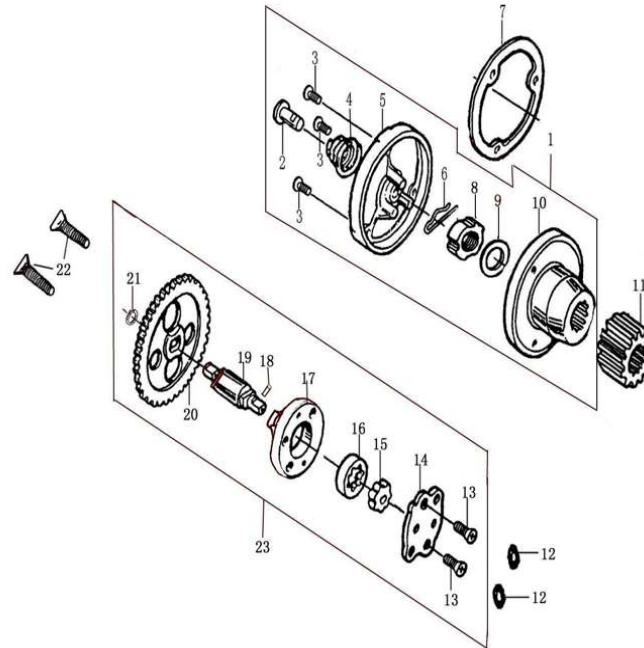


No	Part No	Part description	Q'ty	Notes	Frame No
1	100103428	Rod Clutch Push	1		
2	100103431	Separating Axle Sleeve	1		
3	100011533-0005	Bolt, M6×22	5		
4	100010690	Bearing, 16003	1		
5	100103369	End Cover Clutch	1		
6	100103390	SpRing,Clutch	5		
7	100100523	Nut	1		
8	100103345	Dish Washer,Clutch	1		
9	100103359	Center Sleeve Clutch	1		
10	100103413	Drive Friction Disk	5		
11	100103420	Outer Friction Disk A	4		
12	100103375	Pressure Plate Clutch	1		
13	100103341	Washer	1		
14	100103400	Out Case Assembly Clutch	1		
15	100202783	Clutch Assy	1		

E-5.1

## OIL PUMP / OIL FILTER

Nipponia FTN150

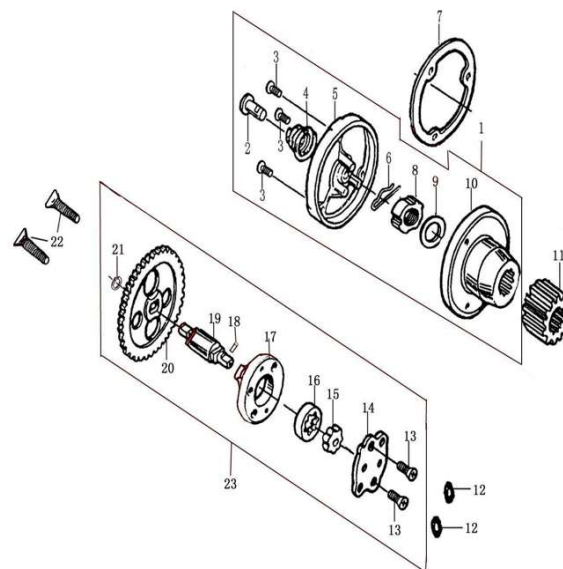


No	Part No	Part description	Q'ty	Notes	Frame No
1	100104840	Oil Filter Comp	1		
2	100104843	Oil Pipe	1		
3	100010969-0001	Screw, M5×12	3		
4	100104844	SpRing,Oil Pipe	1		
5	100104848	Oil Filter Cover	1		
6	100104850	Open Pin	1		
7	100104599	Gasket Oil Filter	1		
8	100100524	Nut	1		
9	100103345	Dish Washer,Clutch	1		
10	100104847	Oil Filter Body	1		
11	100103485	Primary Drive Gear	1		
12	100107842	O-Ring,φ9.4×2.4	2		
13	100010946-0003	Screw, M4×10	2		
14	100100161	Oil Pump Cover	1		
15	100100190	Inner Rotor Oil Pump	1		
16	100100200	Outer Rotor Oil Pump	1		
17	100100181	Oil Pump Body	1		
18	100032890	Pin, φ2.5×10	1		

E-5.2

## OIL PUMP / OIL FILTER

Nipponia FTN150

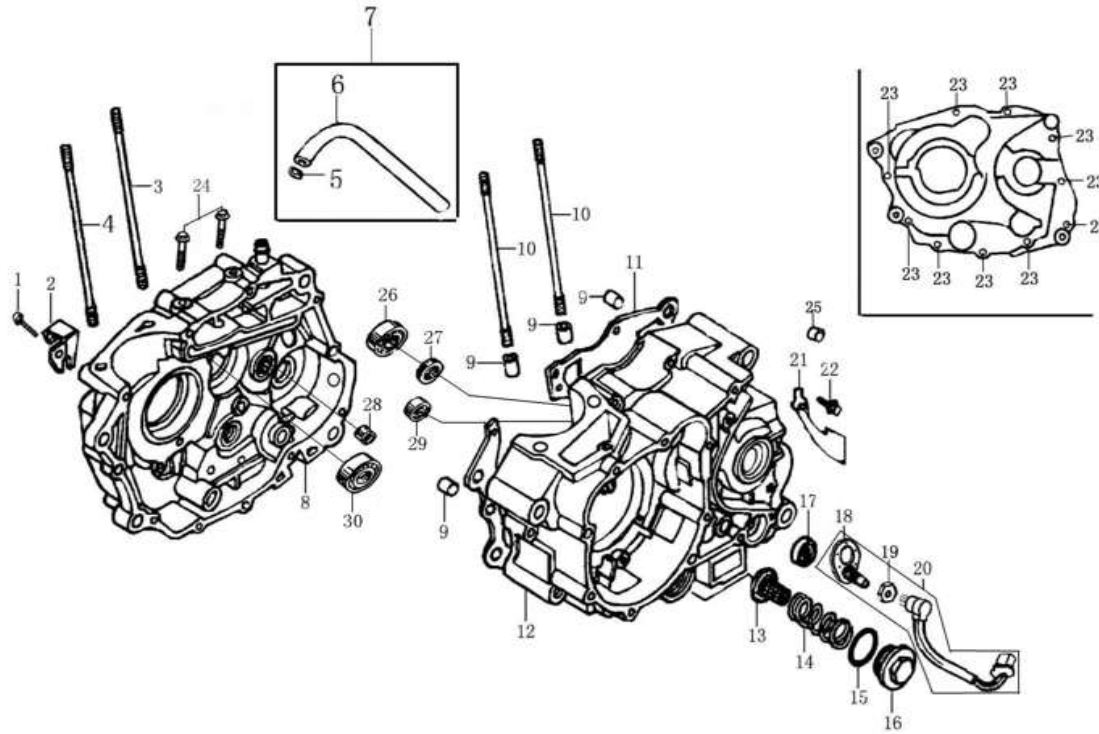


No	Part No	Part description	Q'ty	Notes	Frame No
19	100100152	Shaft Oil Pump	1		
20	100100171	Oil Pump Gear Ass.	1		
21	100011111	Retaining Ring, 6	1		
22	100010974-0001	Screw, M6×30	2		
23	100100033	Oil Pump Assy	1		

E-6.1

## CRANKCASE

Nipponia FTN150

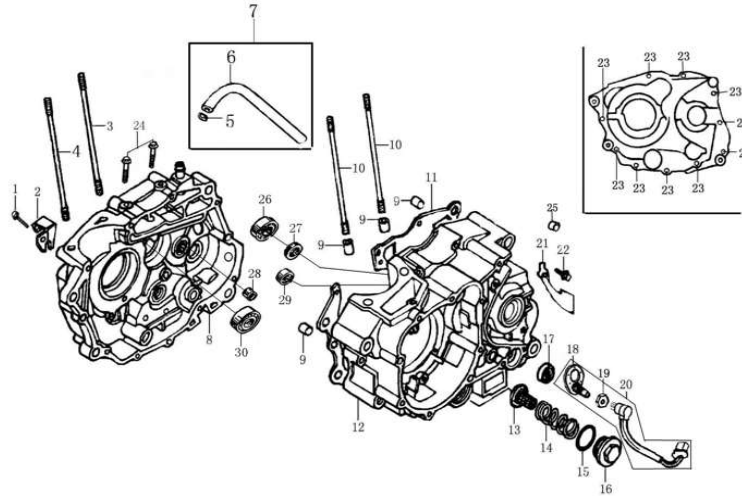


No	Part No	Part description	Q'ty	Notes	Frame No
1	100011542-0001	Bolt, M6×60	1		
2	100106281-0006	Holder Cliutch Cable	1		
3	100100258	Cylinder Stud Bolt A	1		
4	100100257	Cylinder Stud Bolt A	1		
5	100105484	Clamp	1		
6	100102909	Breather Tube	1		
7	100102977	Pipe Assy	1		
8	100103020-0012	Right Crankcase Block	1		
9	100010557	Pin,φ10×14	4		
10	100100291	Cylinder Stud Bolt B	2		
11	100104585	Gasket Crankcase	1		
12	100102944-0012	Left Crankcase Block	1		
13	100104943	Strainer Oil Filter	1		
14	100104866	SpRing,Oil Filter Strainer	1		
15	100107766	O-Ring,φ35×3	1		

E-6.2

## CRANKCASE

Nipponia FTN150

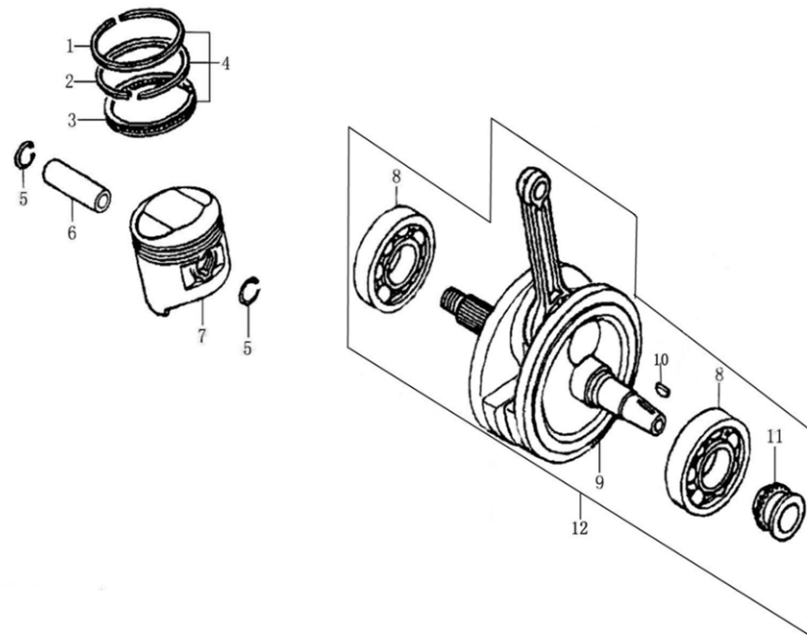


No	Part No	Part description	Q'ty	Notes	Frame No
16	100102871-0002	Cover Valve Chamber	1		
17	100104650	Oil Seal 14×28×7	1		
18	100208352	Gearshift Switch Plate	1		
19	100100526	Nut	1		
20	100104499-0002	Gearshift Switch Lamp	1		
21	100102901	Position Plate	1		
22	100055591-0006	Bolt, M6×12	1		
23	100011540-0007	Bolt, M6×50	10		
24	100031957-0007	Bolt, M6×32	2		
25	100101202	Bearing	1		
26	100010679	Bearing, 6204	1		
27	100104700	Oil Seal 20×34×7	1		
28	100101072	Needle BeaRing,(Nk152312)	1		
29	100101222	BeaRing,(6202Z)	1		
30	100010672	Bearing, 6006	1		

E-7

## CRANKSHAFT / CONNECTING ROD ASSY / PISTON

Nipponia FTN150

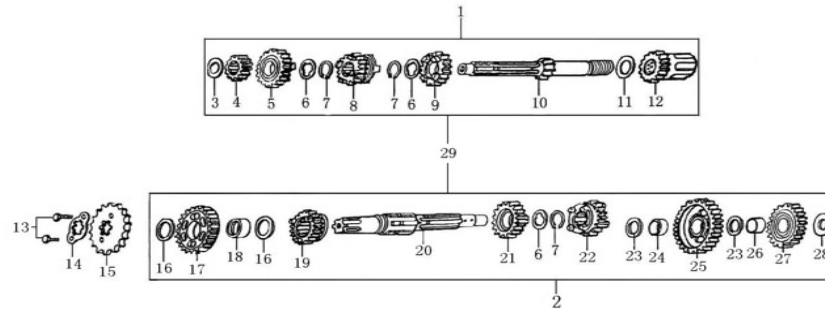


No	Part No	Part description	Q'ty	Notes	Frame No
1	100206392	Piston Ring,1	1		
2	100051023	Piston Ring,2	1		
3	100051022	Oil Ring,Assy	1		
4	100101613	Piston Ring,Comp	1		
5	100100582	Check Ring Piston Pin	2		
6	100050086	Pin,Piston	1		
7	100101408	Piston	1		
8	100101055	BeaRing,(63/28_P5)	2		
9	100207075	Connecting Rod Comp 3	1		
10	100100643	Semicircular Key	1		
11	100101964	Hub Dump Chain Sprocket	1		
12	100206842	Crankshaft Connecting-Rod Assy	1		

E-8

## MAIN / COUNTER TRANSMISSION SHAFTS

Nipponia FTN150

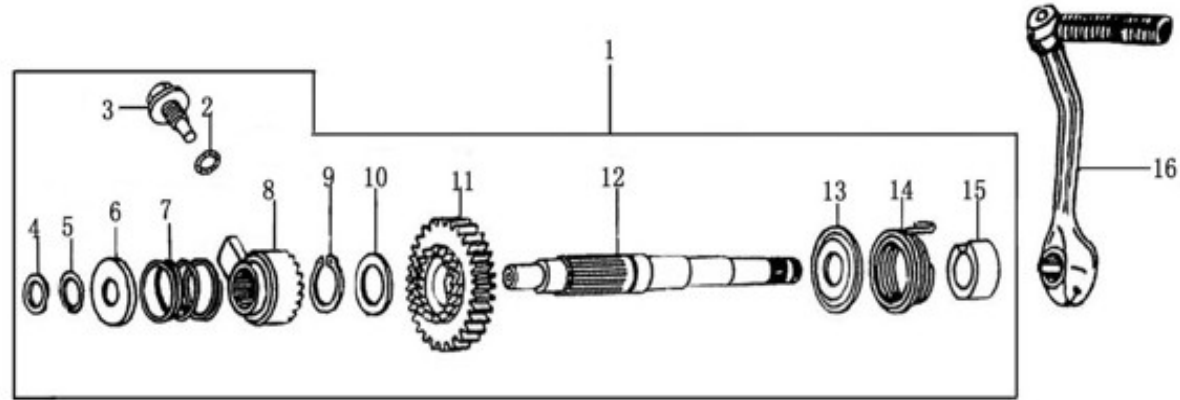


No	Part No	Part description	Q'ty	Notes	Frame No
1	100103574	Main Shaft Transmission	1		
2	100103675	Coutershaft Transmission	1		
3	100106510	Washer, $\phi 15.2 \times 1 \times \phi 25$	1		
4	100103607	Gear M-2	1		
5	100103610	Gear M-5	1		
6	100103647	Washer, $17.3(20) \times 1.6 \times 26$	3		
7	100011102	Retaining Ring, 20	3		
8	100103609	Gear M-4	1		
9	100103608	Gear M-3	1		
10	100103587	Transmission Main Shaft	1		
11	100106525	Washer, $\phi 20.2 \times 0.5 \times \phi 27$	1		
12	100103664	Final Shaft	1		
13	100031911-0004	Bolt, M6 $\times$ 10	2		
14	100103850	Fixing Plate Drive Sprocket	1		
15	100103810	Drive Sprocket	1		
16	100106527	Washer, $\phi 20.2 \times 1 \times \phi 27$	2		
17	100103715	Gear C-2	1		
18	100103563	Gear Bush	1		
19	100103720	Gear C-5	1		
20	100103688	Transmission Counter Shaft	1		
21	100103719	Gear C-4	1		
22	100103718	Gear C-3	1		
23	100106513	Washer, $\phi 16.7 \times 0.5 \times \phi 24$	2		
24	100103564	Gear Bush	1		
25	100103716	Gear C-1	1		
26	100103565	Gear Bush	1		
27	100103778	Gear	1		
28	100106511	Washer, $\phi 15.2 \times 1 \times \phi 30$	1		
29	100103539	Transmission Main Counter Shaft	1		

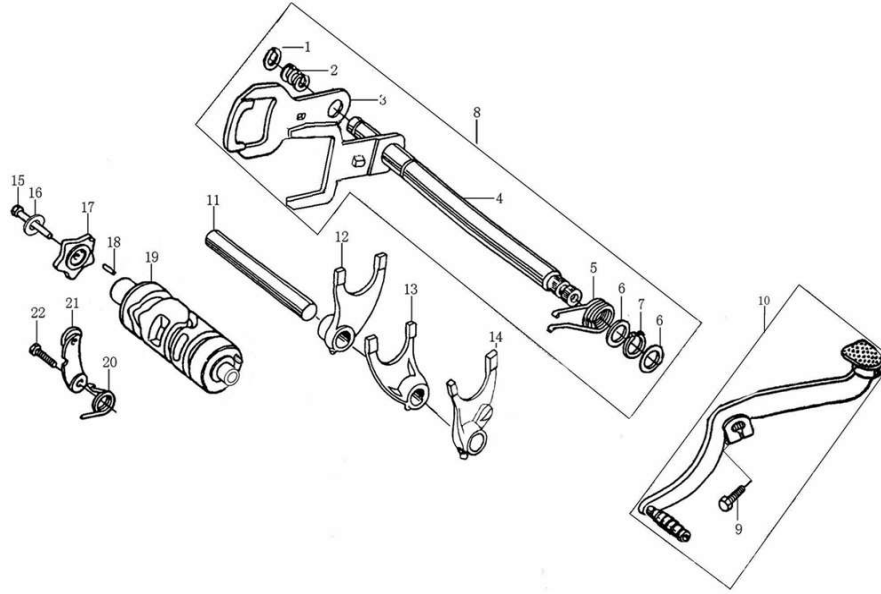
E-9

## KICK STARTING SHAFT ASSY

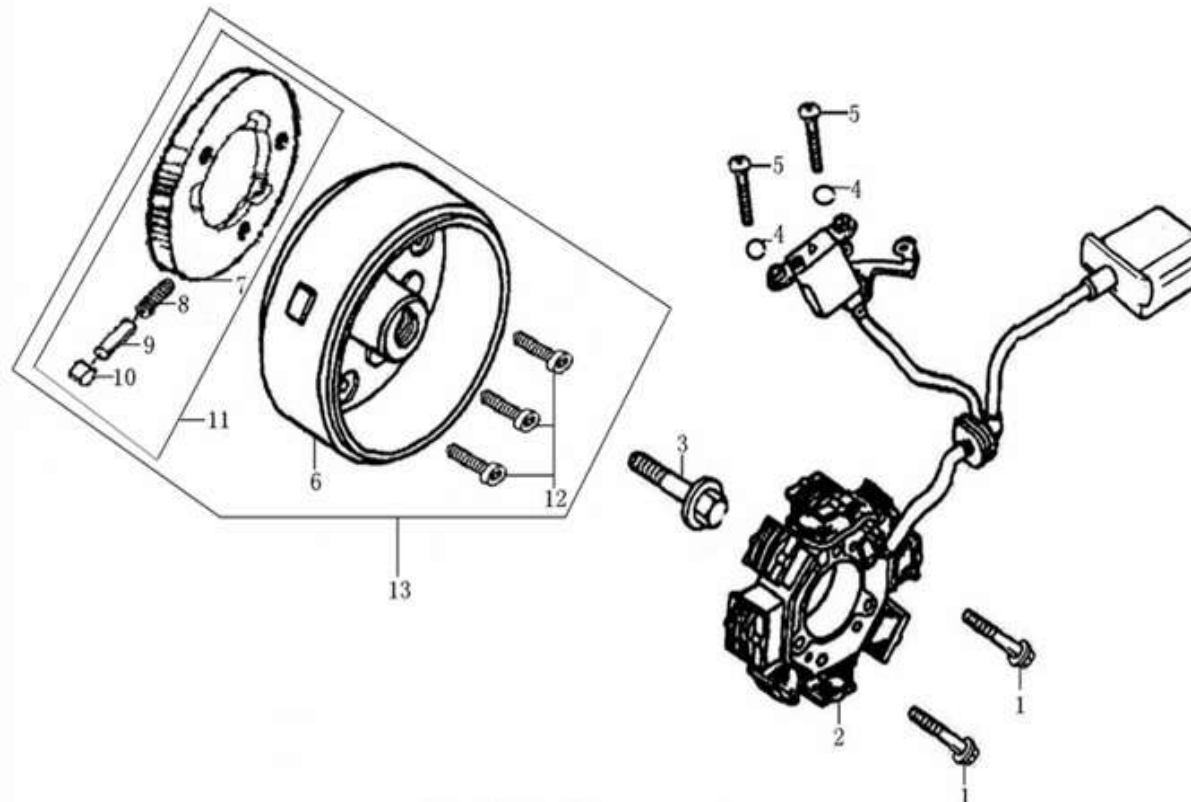
Nipponia FTN150



No	Part No	Part description	Q'ty	Notes	Frame No
1	100303295	Kick Starting Shaft Assembly	1		
2	100010071	O-Ring, $\phi 11.8 \times 2.65$	1		
3	100304620-0001	Bolt, M12 $\times$ 25	1		
4	100106396	Washer, $\phi 12.1 \times 1 \times \phi 18$	1		
5	100011098	Retaining Ring, 16	1		
6	100105791	Guide Plate	1		
7	100105787	SpRing, Kick Starting Ratchet Wheel	1		
8	100105782	Starting Ratchet	1		
9	100100598	Circli, $\phi 18.5 \times 1.2 \times \phi 22.4$	1		
10	100106522	Washer, $\phi 20 \times 0.5 \times \phi 27$	1		
11	100102487	Gear Kick Starter	1		
12	100105752	Pivot Kick Starting Shaft	1		
13	100105739	Seat SpRing, Kick Starting Shaft	1		
14	100105746	Return SpRing, Kick Starting Shaft	1		
15	100105727	Sleeve	1		
16	100303403	Start-Up Bar Comp	1		



No	Part No	Part description	Q'ty	Notes	Frame No
1	100011095	Retaining Ring, 12	1		
2	100103978	Spring, Gearshift Plate	1		
3	100103999	Gearshift Plate	1		
4	100203914-0002	Gearshift Shaft Comp	1		
5	100203926	Return Spring	1		
6	100106402	Washer, $\phi 14 \times 0.5 \times \phi 20$	2		
7	100011096	Retaining Ring, 14	1		
8	100106303-0002	Gearshift Lever Comp	1		
9	100011174-0006	Bolt, M6 $\times$ 20	1		
10	100204027	Gearshift Shaft	1		
11	100103914	Shaft Gearshift Fork	1		
12	100103895	Right Fork Countershaft	1		
13	100103904	Center Fork Mainshaft	1		
14	100103899	Left Fork Countershaft	1		
15	100100420-0002	Bolt	1		
16	100010886-0005	Washer, $\phi 6$	1		
17	100103944	Stopping Plate	1		
18	100032886	Pin, $\phi 4 \times 10$	1		
19	100103952	Gearshift Drum	1		
20	100103982	SpRing, Locating Plate	1		
21	100104008	Locating Plate Assy	1		
22	100100387-0002	Bolt Fixing Plate	1		

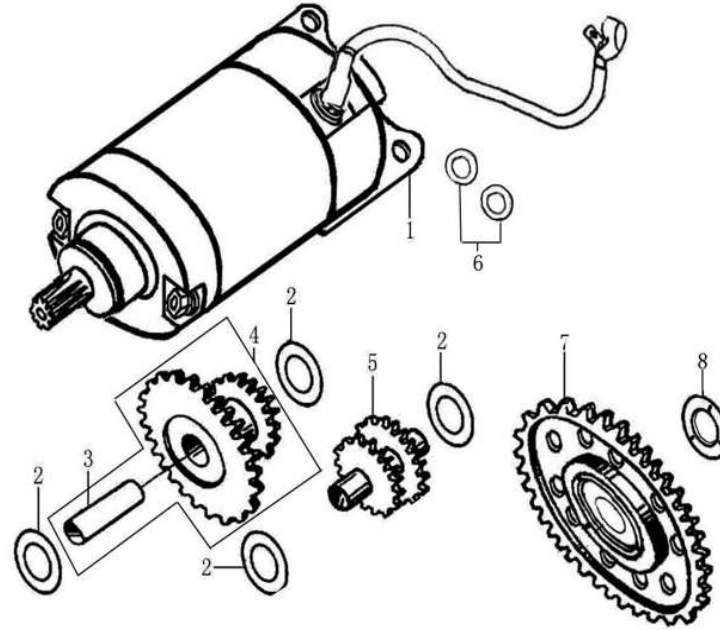


No	Part No	Part description	Q'ty	Notes	Frame No
1	100055587-0006	Bolt, M6×28	2		
2	100104166-0002	Stator Assy Magneto	1		
3	100050578	Bolt, M10×36	1		
4	100010884-0004	Washer, φ4	2		
5	100031844-0002	Screw, M4×10	2		
6	100104190	Rotor Assy Magneto	1		
7	100202626	Assembly Spider	1		
8	100202623	Spring	3		
9	100202625	Cone Bilockage	3		
10	100202624	Clutch Roller	3		
11	100103202	Assembly Overrunning Clutch	1		
12	100100499-0001	Bolt, M8×18	3		
13	100104191	Rotor Assy Magneto	1		

E-12

## STARTING MOTOR

Nipponia FTN150

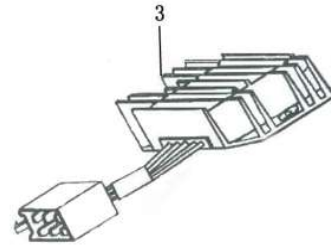
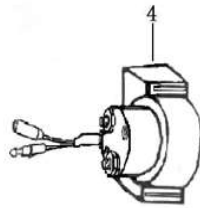
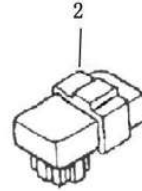
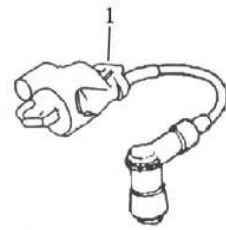


No	Part No	Part description	Q'ty	Notes	Frame No
1	100104230-0021	Starting Motor Assy	1		
2	100106391	Washer, $\phi 10.5 \times 0.5 \times \phi 18$	4		
3	100103228	Shaft Reduction	1		
4	100103250	Gear Reduction 1	1		
5	100103219	Gear Reduction 2	1		
6	100104272	Washer	2		
7	100103264	Plate Gear Assy	1		
8	100103215	Washer, $\phi 22 \times 3.5 \times \phi 34$	1		

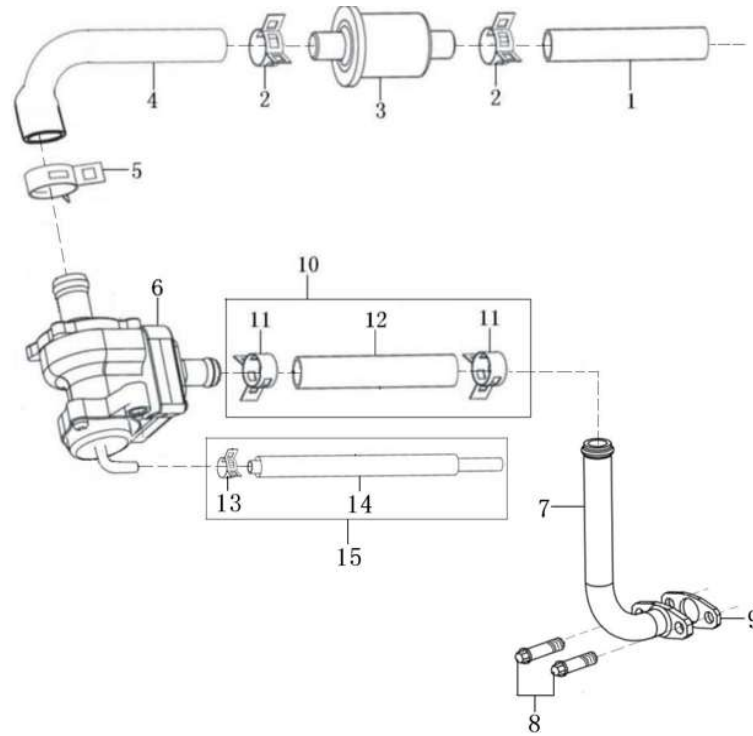
E-13

ELECTRIC PARTS

Nipponia FTN150



No	Part No	Part description	Q'ty	Notes	Frame No
1	100204266-0006	Ignition Coil	1		
2	100104095	C.D.I	1		
3	100205413	Rectifier	1		
4	100205381	Relay	1		



No	Part No	Part description	Q'ty	Notes	Frame No
1	100105396	Connecting Pipe	1		
2	100105402	Hoop	2		
3	100105406	Sec.Air Box Valve	1		
4	100105392	Connecting Pipe	1		
5	100105403	Hoop	1		
6	100105445	Gas Pump	1		
7	100201410-0001	Iron Pipe	1		
8	100055589-0006	Bolt, M6x16	2		
9	100104640	Paper Gasket	1		
10	100201446	Rubber Pipe	1		
11	100105484	Clamp	2		
12	100108171	Rubber Pipe	1		
13	100105485	Clamp	1		
14	100105471	Rubber Pipe	1		
15	100201432	Rubber Pipe	1		

<b>F-1</b>	<b>HEADLIGHT / METER</b>	<b>Nipponia FTN150</b>
------------	--------------------------	------------------------

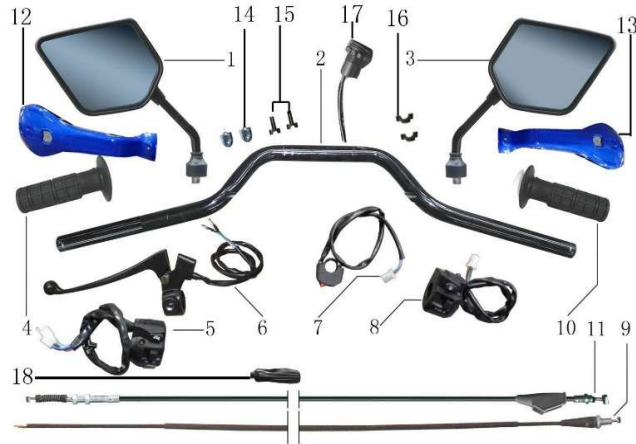


No	Part No	Part description	Q'ty	Notes	Frame No
1	333400-5058	Front left turning light	1		
2	333402-0040	Front left turning light bracket	1		
3	333302-0040	Front right turning light bracket	1		
4	333500-5058	Front right turning light	1		
5	351000-0902	Meter	1		
6	350200-0126	Meter bracket	1		
7	810101-0196	Headlight cover	1		
8	331000-0469	Headlight assembly	1		

F-2

## HANDLEBAR / SWITCH

Nipponia FTN150

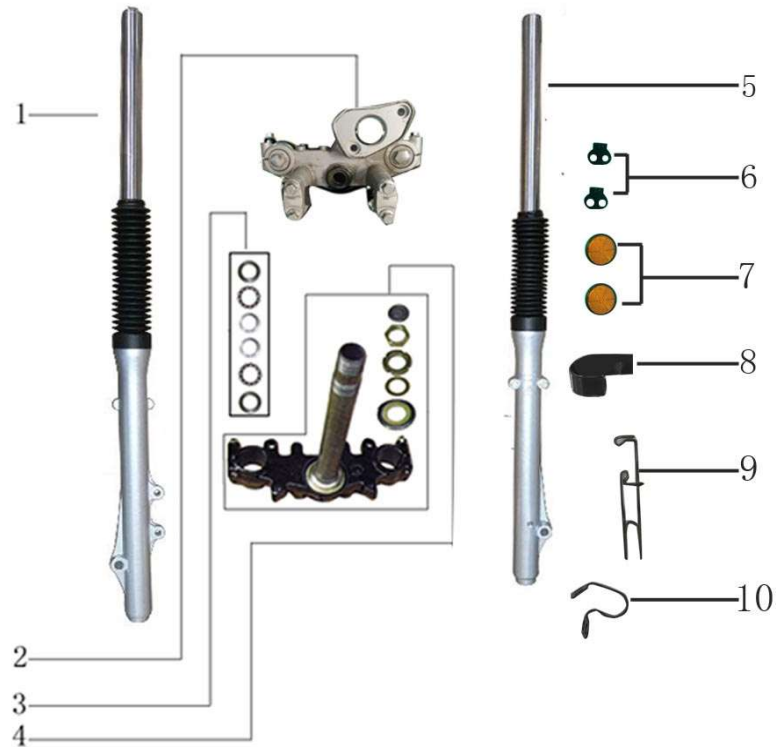


No	Part No	Part description	Q'ty	Notes	Frame No
1	901100-5069	left rearview mirror	1		
2	600001-0271	handlebar	1		
3	901200-5069	right rearview mirror	1		
4	600100-0154	handlebar balancer	2		
5	371100-0224	left handle switch	1		
6	372100-5001	left handle lever	1		
7	600100-0154	left handle grip	1		
8	371200-0191	right handle switch	1		
9	607000-0501	throttle cable	1		
10	600200-0170	throttle handle grip	1		
11	606000-0204	clutch cable	1		
12	370100-0078	Left handlebar windsheild	1		
13	370200-0087	Right handlebar windsheild	1		
14	600009-0001	Windsheild block	1		
15	600010-5001	Windsheild assembly	1		
16	600011-5001	Windsheild assembly	1		
17	307600-0001	USB	1		
18	904241-0003	Dust proof	1		

F-3

## STEERING STEM / FRONT FORKS

Nipponia FTN150



No	Part No	Part description	Q'ty	Notes	Frame No
1	501100-0174	left front shockabsorber	1		
2	503100-0094	upper joint plate	1		
3	503700-5011	steering stem bearing	1		
4	503300-5019	steering stem	1		
5	502000-0173	right front shockabsorber	1		
6	306001-0027	Side reflector bracket	2		
7	306200-0013	Front side reflector	2		
8-2	501016-0010	Brake cable clamp	1		
9	501016-5002	Brake cable clamp	1		
10	441300-0005	Oil pipe bracket	1		

F-4

## FRONT WHEEL

Nipponia FTN150

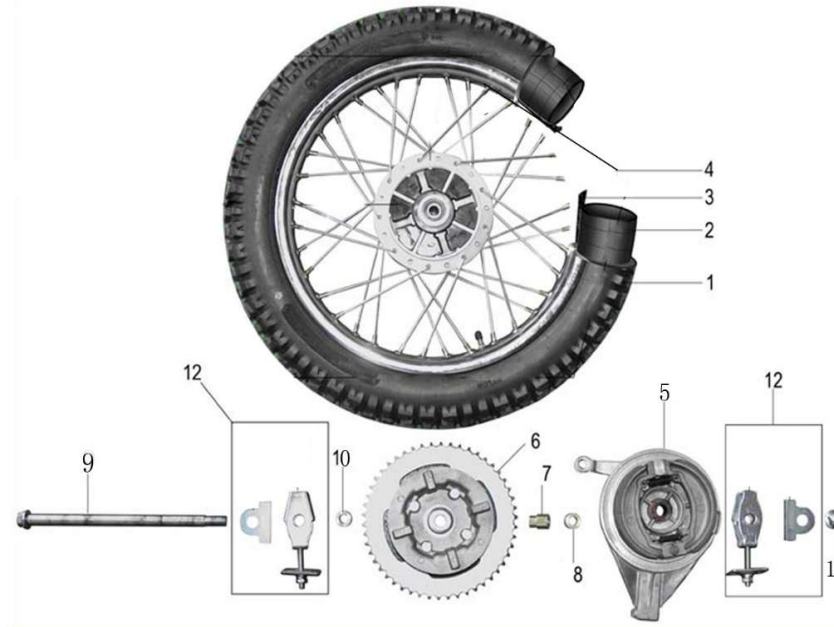


No	Part No	Part description	Q'ty	Notes	Frame No
1	401000-5028	front spoke wheel	1		
2	401001-0001	tyre band	1		
3	400101-0126	inner tube	1		
4	404001-0227	front tyre	1		
5	441000-0441	front disc brake	1		
6	441001-5012	front disc brake plate	1		
7	422000-0113	counter	1		
8	902002-0090	front wheel axle 12×208	1		
9	902005-0687	axle sleeve 12×23×18	1		
10	906109-0025	nut M12×1.25	1		

F-5

## REAR WHEEL

Nipponia FTN150

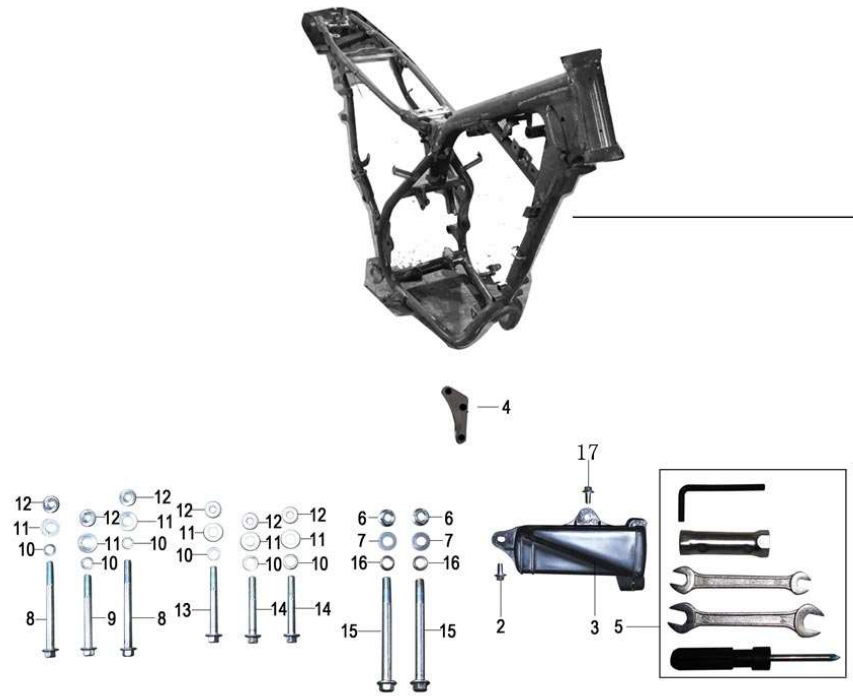


No	Part No	Part description	Q'ty	Notes	Frame No
1	408001-0148	Rear tyre	1		
2	408100-5016	Rear inner tube	1		
2	401001-0001	Protector, rear wheel	1		
2	405000-5021	Rear wheel assy	1		
3	424000-0276	Rear brake assy	1		
4	409000-0123	Buffer body assy	1		
5	405003-0025	Inner bush, Buffer body	1		
6	902005-5085	Right Bush, rear wheel	1		
7	902002-0178	Axle, rear wheel	1		
8	902005-5084	Left Bush, rear wheel	1		
9	906109-0027	Lock nut	1		
10	523200-0063	Adjuster, Chain	2		

F-6

## FRAME BODY

Nipponia FTN150

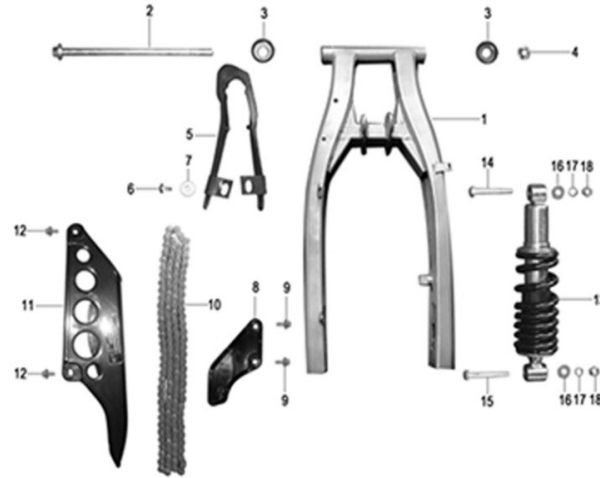


No	Part No	Part description	Q'ty	Notes	Frame No
1	511000-1751	frame assy.	1		
2	906104-0004	bolt M6×16	2		
3	725000-5015	tool box	1		
4	510001-0102	upper suspension	1		
5	903200-0049	tools	1		
6	906124-0016	nut M10×1.25	2		
7	906121-0029	washer	2		
8	906104-0236	bolt M8×95	2		
9	906104-0232	bolt M8×75	1		
10	906125-0027	gasket	4		
11	906121-0028	gasket	6		
12	906124-0015	nut M8	6		
13	906104-0231	bolt M8×70	1		
14	906104-0229	bolt M8×60	2		
15	906104-0155	bolt M10×1.25×115	2		
16	906125-0022	gasket	2		

F-7.1

## REAR FORK

Nipponia FTN150

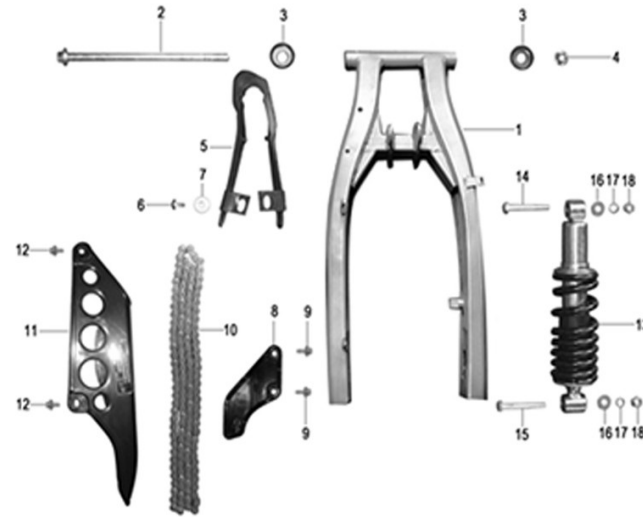


No	Part No	Part description	Q'ty	Notes	Frame No
1	523100-5019	rear fork	1		
2	902002-0177	flange axle M14×253	1		
3	523002-0001	dust proof	2		
4	906109-0010	lock nut M14	1		
5	904201-0055	chain protect rubber	1		
6	906211-0009	screw M6×16	1		
7	906121-0027	gasket	1		
8	230002-5003	chain baffle	1		
9	906104-0045	bolt M6×20	1		
10	231000-0030	chain	1		
11	521000-5039	chain cover	1		
12	906104-0124	bolt M6×12	2		
13	540300-0715	rear shockabsorber	1		
14	906102-0076	bolt M10×70	1		
15	906102-0077	bolt M10×75	1		
16	906121-0029	washer	2		

F-7.2

REAR FORK

Nipponia FTN150



No	Part No	Part description	Q'ty	Notes	Frame No
17	906125-0022	washer	2		
18	906106-0023	nut M10	2		



No	Part No	Part description	Q'ty	Notes	Frame No
1	181000-1569	muffler	1		
2	161000-0619	carburetor	1		
3	171000-5049	air cleaner	1		
4	906104-0136	bolt M8×45	1		
5	902009-5014	screened pipe	1		
6	906109-0005	nut M6	1		
7	906124-0015	nut M8	2		
8	180001-0005	muffler seal washer	1		
9	110000-0815	engine	1		
10	906104-0133	bolt M8×25	1		
11	906104-0125	bolt M6×16	2		
12	820400-0858	engine tail cover	2		
13	162200-0043	oil gas separator	1		
14	801001-0189	fuel tank	1		
15	902007-5010	flanging washer	1		

F-8.2

## MUFFLER / FUEL TANK

Nipponia FTN150

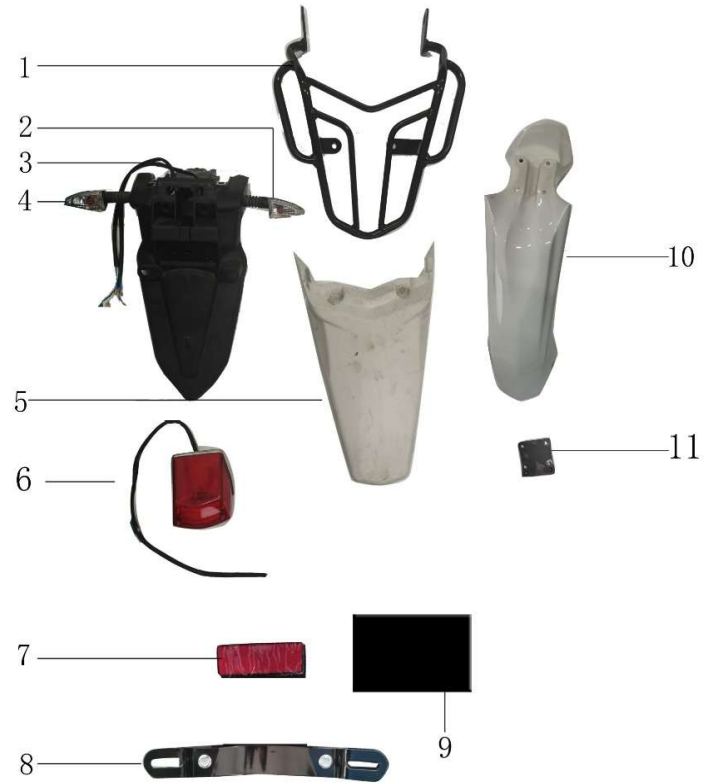


No	Part No	Part description	Q'ty	Notes	Frame No
16	906104-0038	bolt M8×40	1		
17	904236-0024	rear cushion rubber, fuel tank	1		
18	906103-0035	bolt M6×10	1		
19	360000-0920	lock set	1		
20	904269-0005	front cushion rubber, fuel tank	2		
21	906111-0021	screw M8×20	2		
22	802000-0012	oil switch	1		
23	100004-0108	inlet pipe	1		
24	162002-0008	oil pipe	1		
25	18200-0083	fuel sensor	1		

F-9

## FRONT / REAR FENDER

Nipponia FTN150



No	Part No	Part description	Q'ty	Notes	Frame No
1	713100-0437	Rear goods bracket	1		
2	333600-5046	Rear right turning light	1		
3	805100-0536	Rear fender	1		
4	333600-5047	Rear left turning light	1		
5	820401-0123	Rear tail cover	1		
6	332000-0333	Tail light assembly	1		
7	306400-5014	Rear reflector	1		
8	805004-0123	Rear license bracket	1		
9	903019-0250	Rear license	1		
10	804100-1959-**	Front fender	1		
11		Front fender bracket	1		

<b>F-10</b>	<b>PLASTIC PARTS</b>	<b>Nipponia FTN150</b>
-------------	----------------------	------------------------

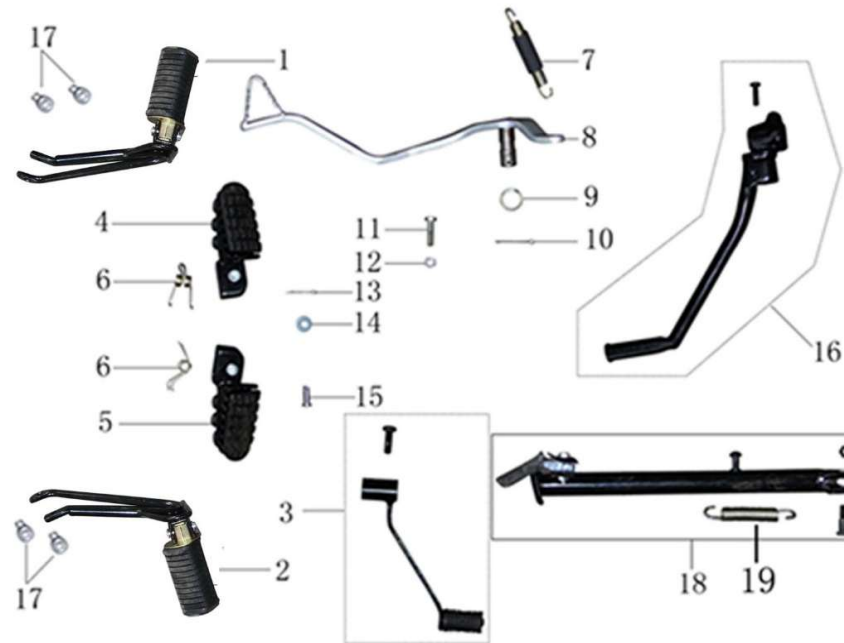


No	Part No	Part description	Q'ty	Notes	Frame No
1	804102-0175-**	Front right protection board			
2	806201-0165	Right side cover		BLACK	
3	809201-0123-**	Right body cover			
4	808201-0075-**	Front left protection board			
5	806100-2301	Left side cover		BLACK	
6	809101-0120-**	Left body cover			
7	701000-2287	Cushion assembly			

F-11.1

## FOOT REST / SIDE STAND

Nipponia FTN150

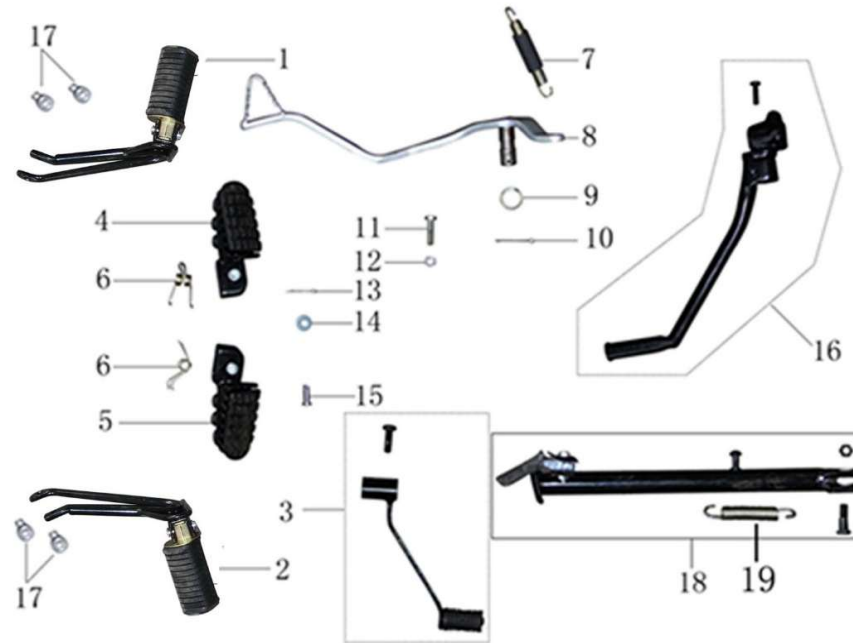


No	Part No	Part description	Q'ty	Notes	Frame No
1	534300-0329	right rear footrest	1		
2	533300-0311	left rear footrest	1		
3	211000-5045	gear change pedal	1		
4	532200-0070	right front footrest	1		
5	531200-0079	left front footrest	1		
6	530401-5001	main footrest spring	2		
7	430001-0149	rear brake returning spring	1		
8	430400-0422	rear brake pedal	1		
9	906217-0012	washer $\phi 17 \times \phi 23$	1		
10	906117-0036	pin 3.2x35	1		
11	906103-0040	bolt M6x30	1		
12	906106-0017	nut M6	1		
13	906117-0010	pin 2x20	1		
14	906121-0027	washer 1 6	1		
15	906115-0008	pin 6x18	1		

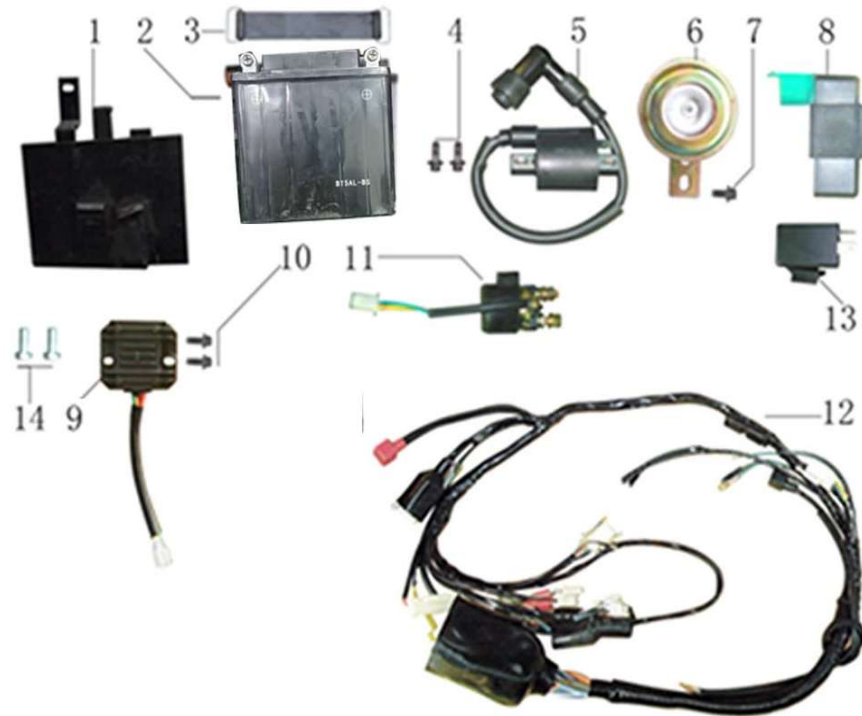
F-11.2

FOOT REST / SIDE STAND

Nipponia Brio110 STD



No	Part No	Part description	Q'ty	Notes	Frame No
16	220000-0060	kick start arm	1		
17	906104-0133	bolt M8x25	4		
18	530100-0117	side stand	1		
19	530001-0070	side stand spring	1		



No	Part No	Part description	Q'ty	Notes	Frame No
1	303200-0133	battery bracket	1		
2	303100-0033	battery	1		
3	904266-0007	battery band	1		
4	906104-0125	bolt M6x16	2		
5	304000-5004	ignition coil	1		
6	312100-5011	horn	1		
7	906104-0124	bolt M6x12	1		
8	305000-5004	CDI	1		
9	302000-5007	regulator	1		
10	906125-0125	bolt M6x16	2		
11	301000-0040	start relay	1		
12	307000-2180	main cable	1		
13	306500-5009	flasher	1		
14	906103-0036	bolt M6x12	2		